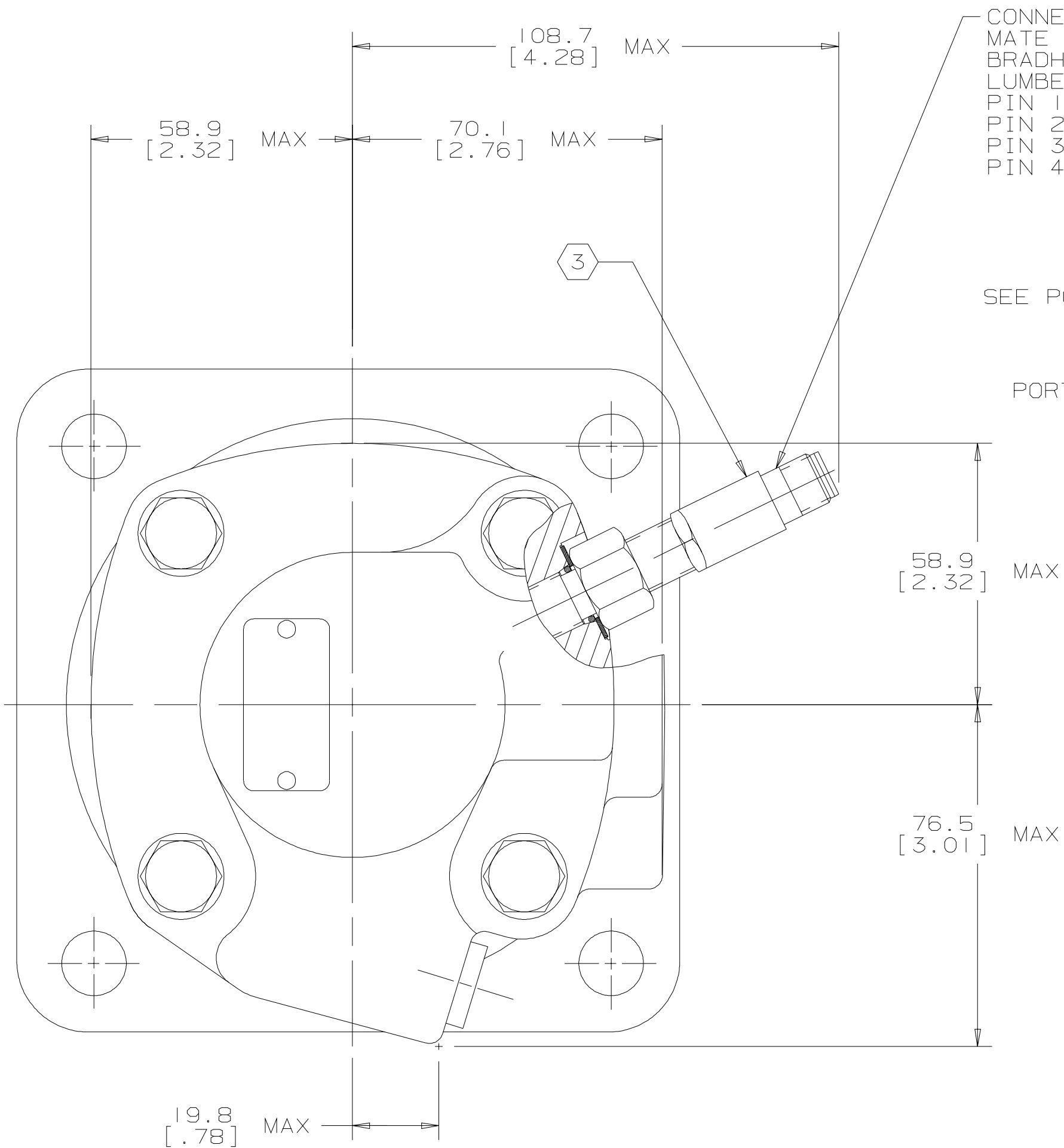


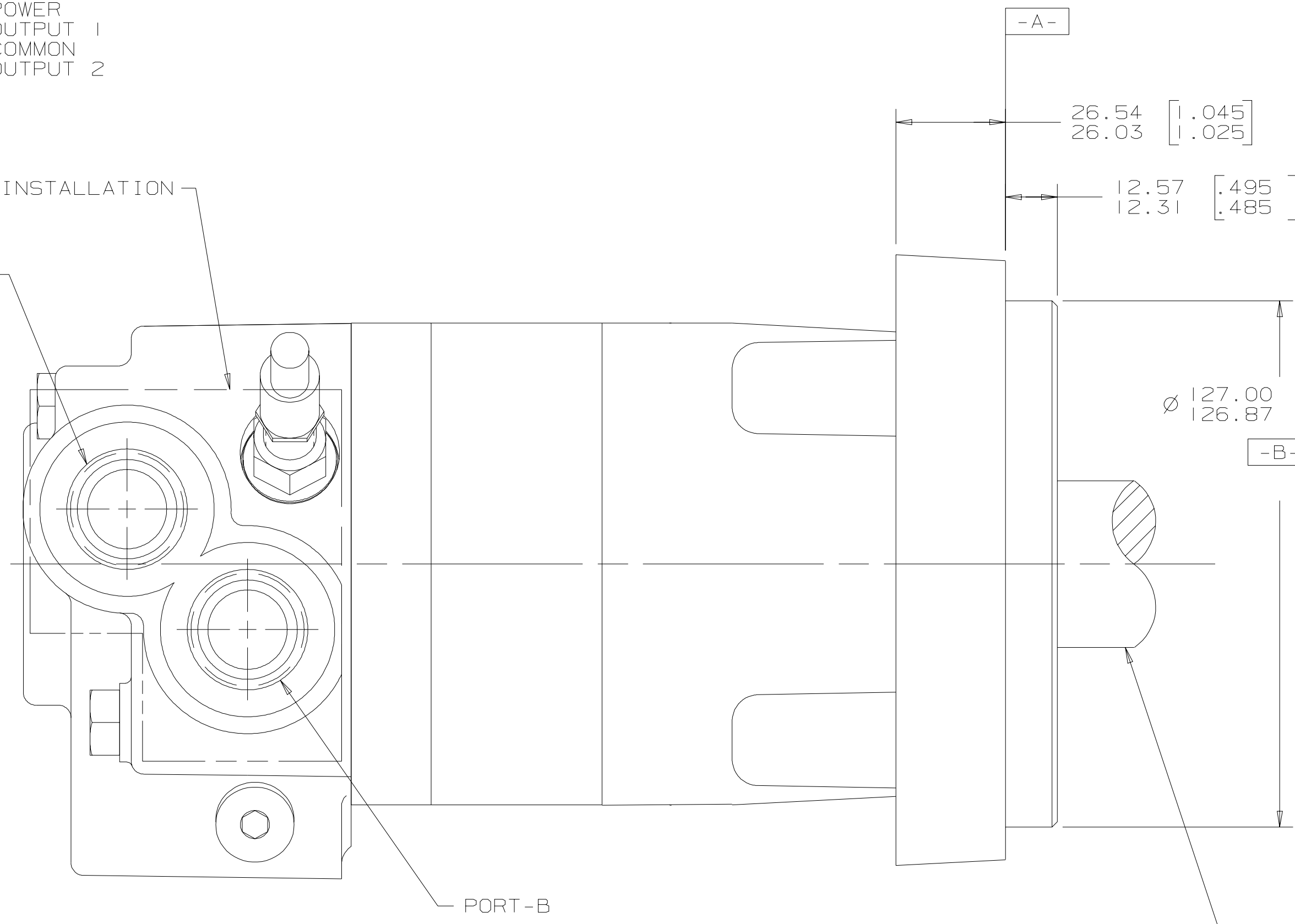
REV	DESCRIPTION	BY	CHK	DATE	ECN
A	ENGINEERING RELEASE	RCB		7/29/99	M206785
B	(2B) 114.50(4.508) -WAS- 161.92(6.375)	MGF		4-24-03	44062
C	(5A) MOUNTING TYPE WAS "F"	AMM		1-24-07	0002527



CONNECTOR PINS DESIGNED TO MATE WITH TURK EUROFAST WKC V 4.4T CABLE BRADHARRISON MICRO-CHANGE SINGLE KEYWAY PLUS LUMBERG "MICRO" STYLE 12mm DC CONNECTOR
 PIN 1 = POWER
 PIN 2 = OUTPUT 1
 PIN 3 = COMMON
 PIN 4 = OUTPUT 2

SEE PORT INSTALLATION

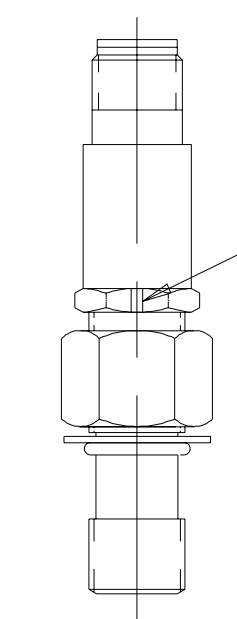
PORT-A



SEE SHAFT INSTALLATION

PORT-B

4X ϕ 14.53	4X ϕ 14.15	4X ϕ 1.5	4X ϕ 0.76	4X R 15.0
[.572]	[.557]	[.06]	[.030]	[.59]
M A B M C	M A	M A B M C	M A	M A
M A	M A	M A B M C	M A	M A



ORIENTATION GROOVE MUST BE ALIGNED AS SHOWN

VIEW A-A
PARTIAL VIEW FOR ORIENTATION OF GROOVE ALIGNMENT

NOTE

- ROTATION:
STANDARD; WHEN FACING SHAFT END OF MOTOR, SHAFT TO ROTATE; CLOCKWISE WHEN PORT "A" IS PRESSURIZED
OUTPUT 1 LEADS OUTPUT 2 OR SENSOR DIRECTION OUTPUT GOES LOW
COUNTERCLOCKWISE WHEN PORT "B" IS PRESSURIZED
OUTPUT 2 LEADS OUTPUT 1 OR SENSOR DIRECTION OUTPUT GOES HIGH

REVERSE; WHEN FACING SHAFT END OF MOTOR, SHAFT TO ROTATE; CLOCKWISE WHEN PORT "B" IS PRESSURIZED.
OUTPUT 1 LEADS OUTPUT 2 OR SENSOR DIRECTION OUTPUT GOES LOW
COUNTERCLOCKWISE WHEN PORT "A" IS PRESSURIZED
OUTPUT 2 LEADS OUTPUT 1 OR SENSOR DIRECTION OUTPUT GOES HIGH

- MOUNTING TYPE: AF
STANDARD, 4 BOLT: 127.00 [5.000] PILOT DIA.
14.27 [.562] HOLES ON 161.92 [6.375]
DIA. BOLT CIRCLE. "SAE C"
- NOMINAL SENSOR OUTPUT WILL BE TWO 36 ELECTRICAL PULSE SIGNALS IN QUADRATURE PER SHAFT REVOLUTION
SUPPLY VOLTAGE: 8 TO 28 Vdc
OUTPUT VOLTAGE: LOW .5 Vdc AT 10 mA; HIGH Vs-1 Vdc

UNLESS OTHERWISE SPECIFIED ALL DIMENSIONS ARE IN INCHES MILLIMETERS	DRAWING BASED ON ANSI Y14.5M-1982		 Eaton Corporation Hydraulics Division 1515 Highway 5 Eaton, Pa., Pa. 15544
<input type="checkbox"/> INCHES <input checked="" type="checkbox"/> MILLIMETERS	NOTICE TO PERSONS RECEIVING THIS DRAWING AND / OR TECHNICAL INFORMATION Eaton Corporation claims proprietary rights in the information disclosed herein. This document is issued in confidence and is not to be reproduced or used to manufacture anything shown hereon without the written permission of the Eaton Corporation.		
TOLERANCES	DRAWN BY/DATE RCB 7/29/99 CHECKED BY/DATE RAF 8/11/99 UNDESIGNED BY/DATE TRF 8/12/99	MATERIAL/HEAT TREAT	
UNDESIGNED RADI ARE UNDESIGNED DRAFT ANGLES ARE DRAWING FORMAT CADD <input checked="" type="checkbox"/> MANUAL <input type="checkbox"/>	THIRD ANGLE PROJECTION DO NOT SCALE	TITLE 4000 MOTOR INSTALLATION	
	<input type="checkbox"/> MICROINCHES <input type="checkbox"/> MICROMETERS <input type="checkbox"/> MICROINCHES	NUMBER A-2103-004	SCALE 1/1 SHEET 1 OF 1