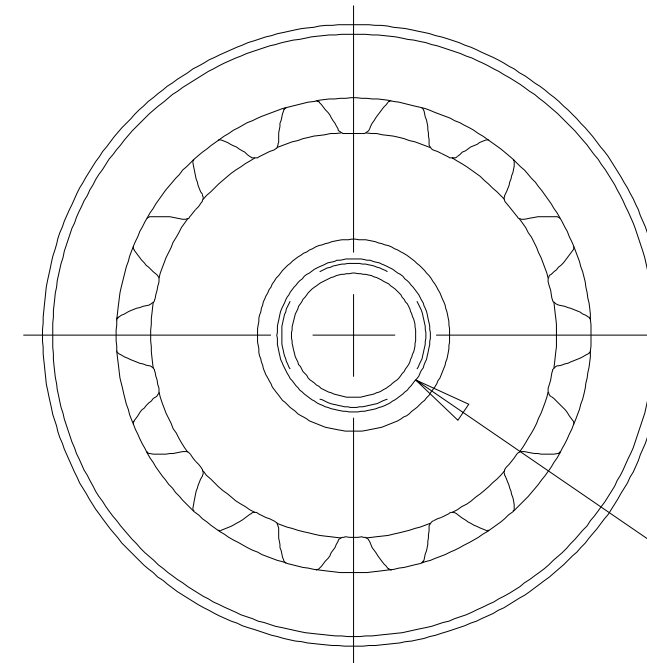
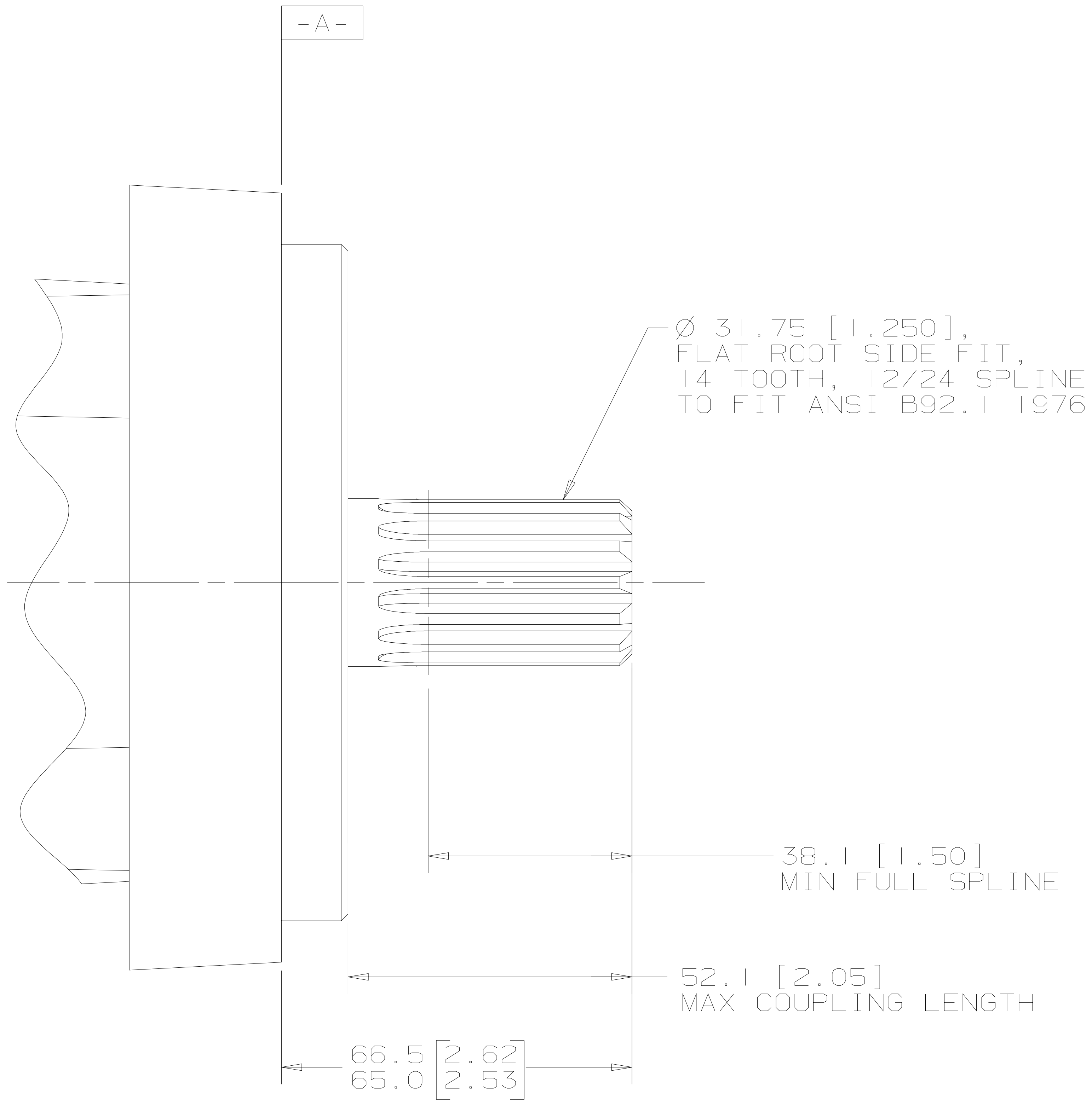


SYM	REVISION	BY	DATE	ECN
A	ENGINEERING RELEASE	SDR	2-8-92 KR	21551
B	ADDED OPTION "J" TO MOUNTING TYPE	SDR	5-14-92	22284
C	NOTE 1 WAS MOUNTING TYPE OPTION F OR J	AGJ	3-8-94	MI1397
D	66.5/65.0 [2.62/2.53] WAS 66.0/65.0 [2.63/2.53]	AGJ	5-17-04	47918
E	MOUNTING TYPE WAS "F"	SSD	1-24-07	0002527
F	COUPLING LENGTH WAS 53.1 [2.09] MAX	JSB	2-3-11	M81228



.375-16UNC-2B
18.7 [.74] MIN FULL THREAD

NOTE

- 1 MOUNTING TYPE: OPTION AF
- 2 OUTPUT SHAFT: OPTION O3

UNLESS OTHERWISE SPECIFIED ALL DIMENSIONS ARE IN INCHES <input type="checkbox"/> MILLIMETERS [INCHES] <input checked="" type="checkbox"/>	DRAWING BASED ON ANSI Y14.5M-1982	
	EATON CORPORATION - CONFIDENTIAL AND PROPRIETARY NOTICE TO PERSONS RECEIVING THIS DRAWING AND / OR TECHNICAL INFORMATION <small>THIS DOCUMENT, INCLUDING THE DRAWING AND INFORMATION CONTAINED THEREON, IS CONFIDENTIAL AND IS THE EXCLUSIVE PROPERTY OF EATON CORPORATION AND IS MERELY ON LOAN AND SUBJECT TO RECALL BY EATON AT ANY TIME. BY TAKING POSSESSION OF THIS DOCUMENT, THE RECIPIENT ACKNOWLEDGES AND AGREES THAT THIS DOCUMENT CANNOT BE USED IN ANY MANNER ADVERSE TO THE INTERESTS OF EATON, AND THAT NO PORTION OF THIS DOCUMENT MAY BE COPIED OR OTHERWISE REPRODUCED WITHOUT THE PRIOR WRITTEN CONSENT OF EATON. IN THE CASE OF CONFLICTING CONTRACTUAL PROVISIONS, THIS NOTICE SHALL GOVERN THE STATUS OF THIS DOCUMENT.</small> COPYRIGHT 2008 EATON CORPORATION - ALL RIGHTS RESERVED.	
TOLERANCES .X ± ---- .XX ± REF .XXX ± ONLY < ----	DRAWN BY/DATE SDR 4/9/92 CHECKED BY/DATE KR 7/8/92 ENGRG BY/DATE RA 7-31-92 METALLURGY BY/DATE	MATERIAL/HEAT TREAT
UNSPECIFIED RADII ARE	THIRD ANGLE PROJECTION	TITLE 4000 SERIES MOTOR SHAFT INSTALLATION
UNSPECIFIED DRAFT ANGLES ARE	DO NOT SCALE	NUMBER A-609-003
DRAWING FORMAT CADD <input checked="" type="checkbox"/> MANUAL <input type="checkbox"/>	ARITHMETICAL AVERAGE <input checked="" type="checkbox"/>	SCALE 1/1 SHEET 1 OF 1

