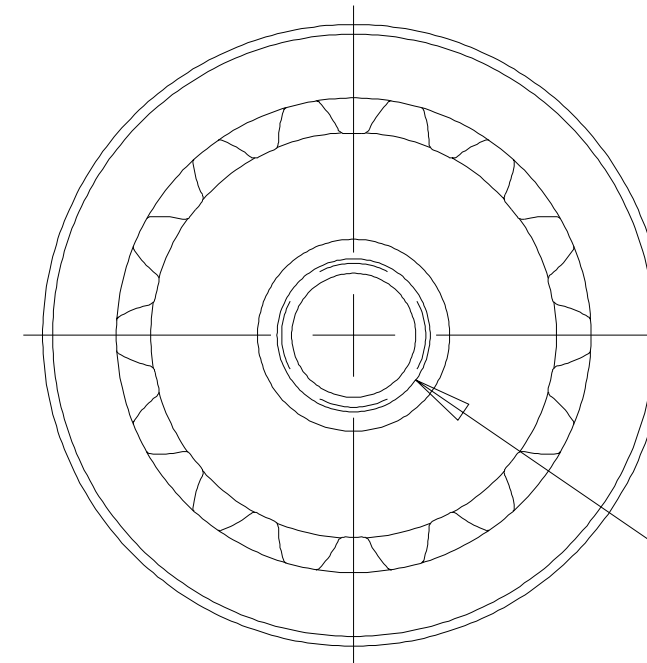
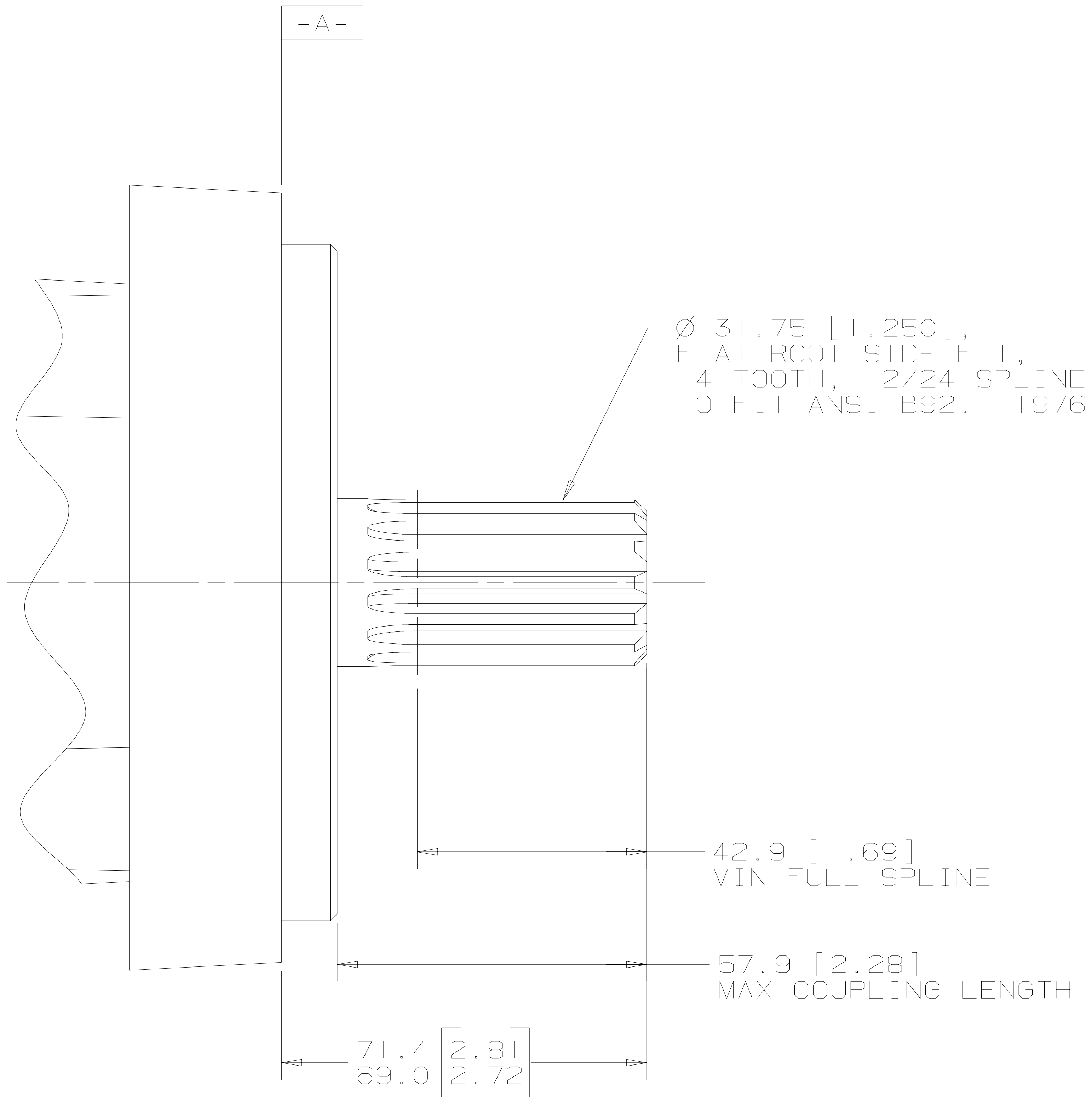


SYM	REVISION	BY	DATE	ECN
A	ENGINEERING RELEASE	RJ	8-27-92	22819
B	NOTE 1 WAS MOUNTING TYPE: OPTION F OR J	AGJ	3-8-94	MI1397
C	71.4/69.0 [2.91/2.72] WAS 71.6/69.0 [2.82/2.72]	AGJ	5-17-04	47918
D	-1) MOUNTING TYPE WAS "F" -2) OUTPUT SHAFT WAS "16"	SSD	1-24-07	0002527



NOTE

- 1 MOUNTING TYPE: OPTION AF
- 2 OUTPUT SHAFT: OPTION I3

UNLESS OTHERWISE SPECIFIED ALL DIMENSIONS ARE IN		DRAWING BASED ON ANSI Y14.5M-1982	
INCHES <input type="checkbox"/>	MILLIMETERS [INCHES] <input checked="" type="checkbox"/>	THE REPRODUCTION, DISTRIBUTION, AND UTILIZATION OF THIS DOCUMENT, AS WELL AS THE COMMUNICATION OF ITS CONTENTS TO OTHERS WITHOUT EXPLICIT AUTHORIZATION IS PROHIBITED. OFFENDERS WILL BE HELD LIABLE FOR THE PAYMENT OF DAMAGES. ALL RIGHTS RESERVED IN THE EVENT OF THE GRANT OF A PATENT, UTILITY MODEL, OR DESIGN. (PER ISO 16016)	
TOLERANCES		DRAWN BY/DATE RJ 9-22-92 MATERIAL/HEAT TREAT	
.X ±----	.XX ±REF		
.XXX ±ONLY	< ----	CHECKED BY/DATE SDR 9-25-92	TITLE 4000 SERIES MOTOR SHAFT INSTALLATION
UNSPECIFIED RADII ARE	ENGRG BY/DATE MLB 9-25-92	METALLURGY BY/DATE ----	
UNSPECIFIED DRAFT ANGLES ARE	THIRD ANGLE PROJECTION	MICROINCHES [MICROINCHES] <input checked="" type="checkbox"/>	NUMBER A-609-012
DRAWING FORMAT CADD <input checked="" type="checkbox"/> MANUAL <input type="checkbox"/>	DO NOT SCALE	ARITHMETICAL AVERAGE <input checked="" type="checkbox"/>	SCALE 1/1 SHEET 1 OF 1

