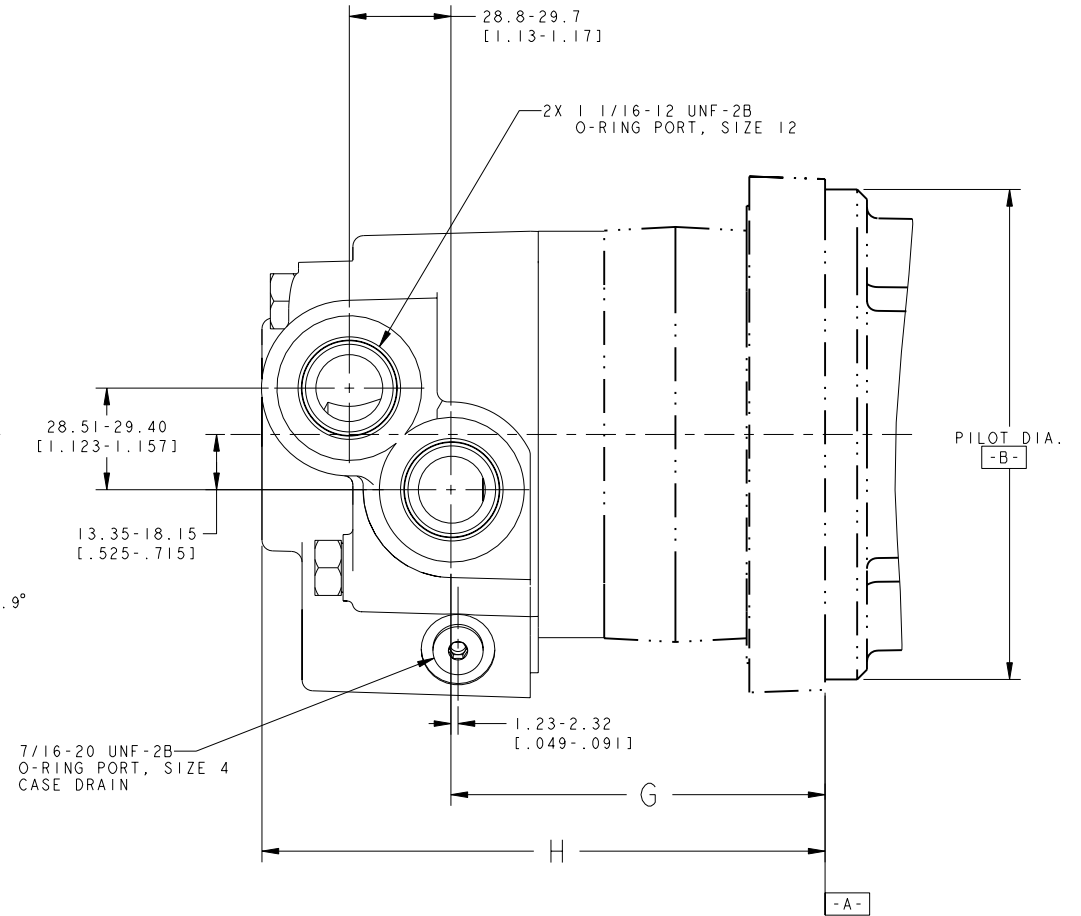
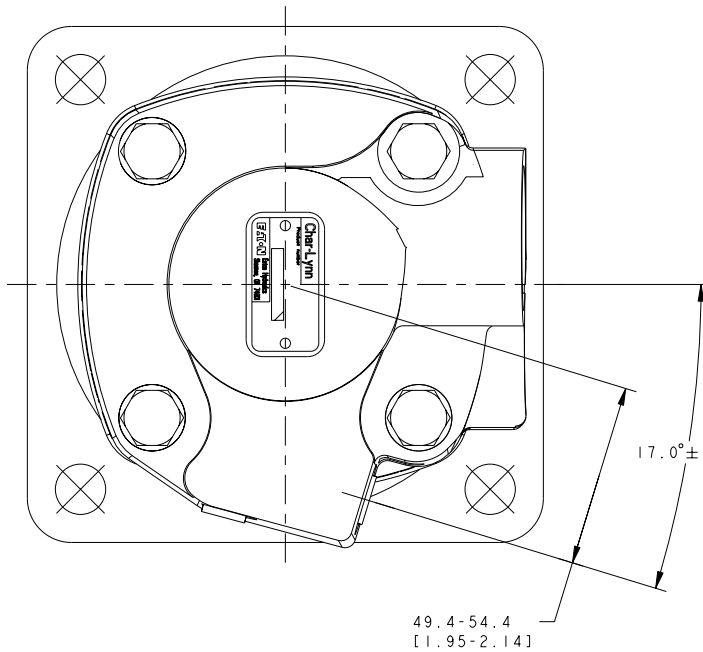


8 MOUNTING TYPE AA & AG			7 MOUNTING TYPE AB & AM			6 MOUNTING TYPE AC, AD & AL			5 MOUNTING TYPE AE			4 MOUNTING TYPE AF		
DISP	G	H MAX	DISP	G	H MAX	DISP	G	H MAX	DISP	G	H MAX	DISP	G	H MAX
067	90.5-91.6 [3.56-3.61]	146.8 [5.78]	067	157.5-159.2 [6.20-6.27]	214.4 [8.44]	067	86.8-88.1 [3.42-3.47]	143.3 [5.64]	067	138.3-140.5 [5.44-5.53]	195.6 [7.70]	067	161.6-163.4 [6.36-6.43]	218.6 [8.61]
080	94.5-95.6 [3.72-3.77]	150.8 [5.94]	080	161.5-163.2 [6.36-6.43]	218.4 [8.60]	080	90.9-92.2 [3.58-3.63]	147.3 [5.80]	080	142.3-144.5 [5.60-5.69]	199.6 [7.86]	080	165.7-167.5 [6.52-6.59]	222.6 [8.77]
099	100.9-102.0 [3.97-4.01]	157.1 [6.19]	099	167.9-169.6 [6.61-6.68]	224.7 [8.85]	099	97.2-98.5 [3.83-3.88]	153.6 [6.05]	099	148.6-150.8 [5.85-5.94]	206.0 [8.11]	099	172.0-173.8 [6.77-6.84]	229.0 [9.01]
125	109.4-110.5 [4.31-4.35]	165.7 [6.52]	125	176.4-178.1 [6.94-7.01]	233.2 [9.18]	125	105.7-107.0 [4.16-4.21]	162.2 [6.39]	125	157.2-159.4 [6.19-6.27]	214.5 [8.45]	125	180.5-182.3 [7.11-7.18]	237.5 [9.35]
150	100.9-102.0 [3.97-4.01]	157.1 [6.19]	150	167.9-169.6 [6.61-6.68]	224.7 [8.85]	150	97.2-98.5 [3.83-3.88]	153.6 [6.05]	150	148.6-150.8 [5.85-5.94]	206.0 [8.11]	150	172.0-173.8 [6.77-6.84]	229.0 [9.01]
171	105.3-106.4 [4.14-4.19]	161.5 [6.36]	171	172.2-174.0 [6.78-6.85]	229.1 [9.02]	171	101.6-102.9 [4.00-4.05]	158.0 [6.22]	171	153.0-155.2 [6.02-6.11]	210.4 [8.28]	171	176.4-178.2 [6.94-7.02]	233.3 [9.19]
190	109.4-110.5 [4.31-4.35]	165.7 [6.52]	190	176.4-178.1 [6.94-7.01]	233.2 [9.18]	190	105.7-107.0 [4.16-4.21]	162.2 [6.39]	190	157.2-159.4 [6.19-6.27]	214.5 [8.45]	190	180.5-182.3 [7.11-7.18]	237.5 [9.35]
240	120.1-121.2 [4.73-4.77]	176.3 [6.94]	240	187.1-188.8 [7.36-7.43]	243.9 [9.60]	240	116.4-117.7 [4.58-4.63]	172.8 [6.81]	240	167.8-170.0 [6.61-6.69]	225.2 [8.87]	240	191.2-193.0 [7.53-7.60]	248.2 [9.77]
301	132.9-134.0 [5.23-5.28]	189.2 [7.45]	301	199.9-201.6 [7.87-7.94]	256.8 [10.11]	301	129.2-130.5 [5.09-5.14]	185.7 [7.31]	301	180.7-182.9 [7.11-7.20]	238.0 [9.37]	301	204.0-205.9 [8.03-8.10]	261.0 [10.28]
342	141.7-142.8 [5.58-5.62]	198.0 [7.79]	342	208.7-210.4 [8.22-8.28]	265.6 [10.46]	342	138.0-139.3 [5.43-5.49]	194.5 [7.66]	342	189.5-191.7 [7.46-7.55]	246.8 [9.72]	342	212.8-214.6 [8.38-8.45]	269.8 [10.62]
381	150.0-151.1 [5.91-5.95]	206.2 [8.12]	381	217.0-218.7 [8.54-8.61]	273.8 [10.78]	381	146.3-147.6 [5.76-5.81]	202.8 [7.98]	381	197.7-199.9 [7.79-7.87]	255.1 [10.04]	381	221.1-222.9 [8.71-8.78]	278.1 [10.95]

MOUNTING TYPE AH		
DISP	G	H MAX
067	136.8-138.3 [5.39-5.45]	193.5 [7.62]
080	140.8-142.4 [5.54-5.61]	197.5 [7.78]
099	147.1-148.7 [5.79-5.85]	203.9 [8.03]
125	155.7-157.2 [6.13-6.19]	212.4 [8.36]
150	147.1-148.7 [5.79-5.85]	203.9 [8.03]
171	151.5-153.1 [5.97-6.03]	208.3 [8.20]
190	155.7-157.2 [6.13-6.19]	212.4 [8.36]
240	166.4-167.9 [6.55-6.61]	223.1 [8.78]
301	179.2-180.8 [7.06-7.12]	235.9 [9.29]
342	188.0-189.6 [7.40-7.46]	244.7 [9.63]
381	196.3-197.8 [7.73-7.79]	253.0 [9.96]

REV	DESCRIPTION	BY	CHK	DATE	ECN / MPS
A	ENGINEERING RELEASE	LK		02-08-92	21551
M	REVISED AND REDRAWN TO PRO-E	PRK	SDM	04-11-03	ECR16450



- NOTES  
 1 PORTS - OPTION AB  
 2 CASE FLOW - OPTION 02

REVIEWED FOR CLASSIFICATION PER ESP-042

UNLESS OTHERWISE SPECIFIED ALL DIMENSIONS ARE IN INCHES		DRAWING BASED ON ANSI Y14.5M-1982	
MILLIMETERS (INCHES)	<input type="checkbox"/>	EATON CORPORATION - CONFIDENTIAL AND PROPRIETARY	
TOLERANCES	<input type="checkbox"/>	NOTICE TO PERSONS RECEIVING THIS DRAWING: THIS DOCUMENT AND THE INFORMATION CONTAINED THEREIN IS CONFIDENTIAL AND IS THE EXCLUSIVE PROPERTY OF EATON CORPORATION AND IS NOT TO BE REPRODUCED OR DISCLOSED IN ANY MANNER WITHOUT THE WRITTEN PERMISSION OF EATON CORPORATION. IN THE EVENT OF A DISCREPANCY BETWEEN THIS DRAWING AND ANY OTHER DOCUMENT, THIS DRAWING SHALL PREVAIL. EATON CORPORATION 2008 EATON CORPORATION ALL RIGHTS RESERVED.	
.X ± ---		DRAWN LJK	MATERIAL/HEAT TREAT
.XX ± REF		BY/DATE 05-02-92	
.XXX ± ONLY		CHECKED KJR	TITLE
≤ ± ---		BY/DATE 06-29-92	4000 SERIES MOTOR PORT INSTALL.
UNSPECIFIED RADII ARE:		ENGRG RA	NUMBER
---		BY/DATE 07-31-92	A-556-002
UNSPECIFIED DRAFT ANGLES ARE:		METALLURGY ---	SCALE 1/1
---		BY/DATE ---	SHEET 1 OF 1
D SIZE	DO NOT SCALE	ARITHMETICAL AVERAGE	