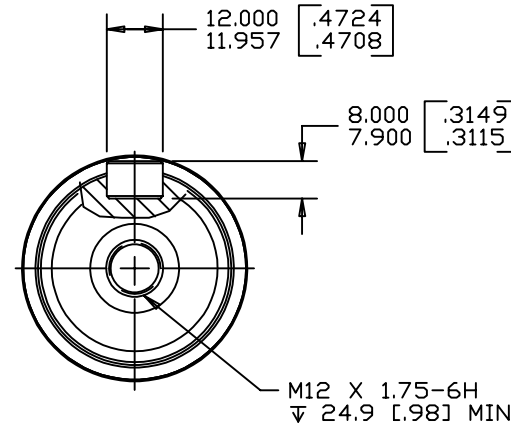
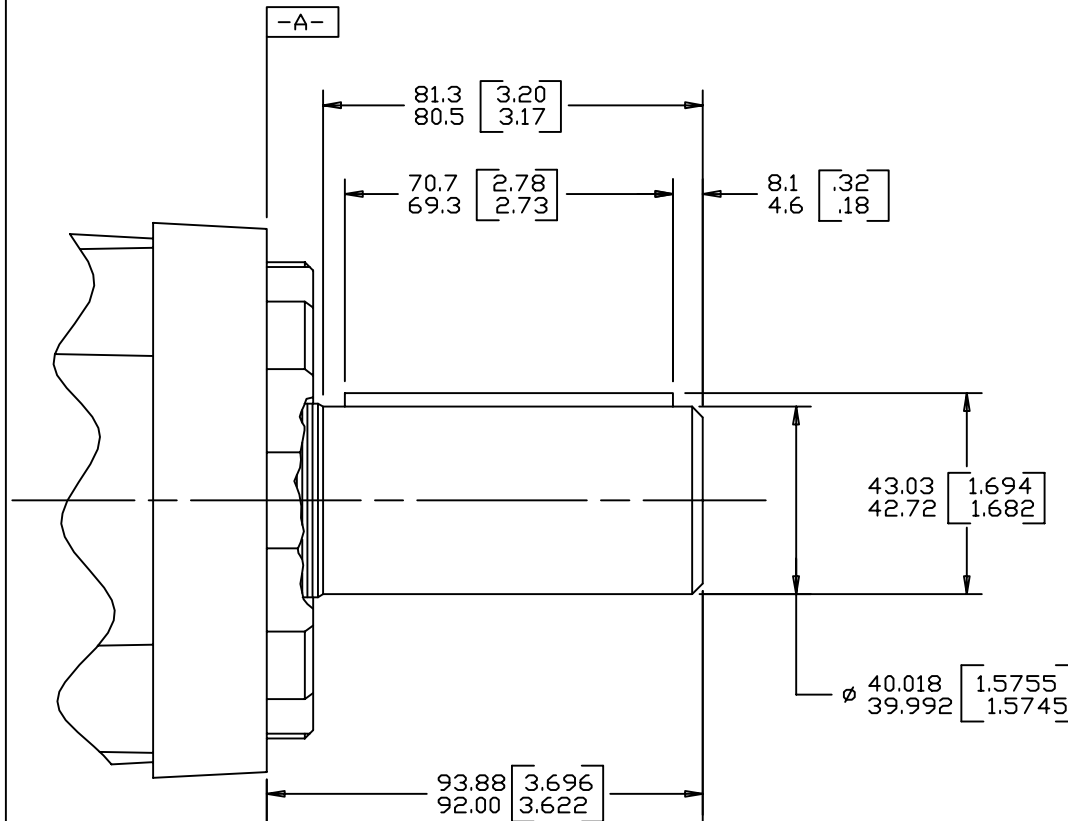


REV	DESCRIPTION	BY	CHK	DATE	ECN
A	RELEASE FOR SAMPLES AND ESTIMATE	WRD		9-08-96	M16059
B	93.88/92.00 [3.696/3.622] WAS 93.4/92.5 [3.678/3.642]	AGJ		5-17-04	47918
C	-1>MOUNTING TYPE WAS "B" -2>OUTPUT SHAFT WAS "14"	SSD		1-24-07	0002527
D	ENGINEERING RELEASE -1>REMOVED 93.4/92.5 [3.678/3.642] -2>8.1/4.6 [.32/.18] WAS 9.2/4.5 [.36/.18]	CSG		04/11/11	M81841_1



CS REVIEWED FOR CLASSIFICATION PER ESP-042

NOTE

- 1 MOUNTING TYPE: OPTION AB
- 2 OUTPUT SHAFT: OPTION 11

UNLESS OTHERWISE SPECIFIED ALL DIMENSIONS ARE IN INCHES <input type="checkbox"/> MILLIMETERS <input checked="" type="checkbox"/>		DRAWING BASED ON ANSI Y14.5M-1982	
TOLERANCES .X ± ---- .XX ± REF .XXX ± ONLY ∠ ± ----		EATON CORPORATION - CONFIDENTIAL AND PROPRIETARY NOTICE TO PERSONS RECEIVING THIS DRAWING AND / OR TECHNICAL INFORMATION <small>THIS DOCUMENT, INCLUDING THE DRAWING AND INFORMATION CONTAINED THEREIN, IS CONFIDENTIAL AND IS THE EXCLUSIVE PROPERTY OF EATON CORPORATION, AND IS HEREBY ON LOAN AND SUBJECT TO RECALL BY EATON AT ANY TIME. BY TAKING POSSESSION OF THIS DOCUMENT, THE RECIPIENT ACKNOWLEDGES AND AGREES THAT THIS DOCUMENT CANNOT BE USED IN ANY MANNER ADVERSE TO THE INTERESTS OF EATON, AND THAT NO PORTION OF THIS DOCUMENT MAY BE COPIED OR OTHERWISE REPRODUCED WITHOUT THE PRIOR WRITTEN CONSENT OF EATON. IN THE CASE OF CONFLICTING CONTRACTUAL PROVISIONS, THIS NOTICE SHALL GOVERN THE STATUS OF THIS DOCUMENT. COPYRIGHT 2009 EATON CORPORATION - ALL RIGHTS RESERVED.</small>	
UNSPECIFIED RADII ARE ----		DRWN BY/DATE WRD 9-10-96	MATERIAL/HEAT TREAT -----
UNSPECIFIED DRAFT ANGLES ARE ----		CHECKED BY/DATE RAF 9-10-96	TITLE 4000 SERIES MOTOR SHAFT INSTALLATION
THIRD ANGLE PROJECTION		ENGRG BY/DATE MLB 9-17-96	NUMBER A-606-014
B SIZE		DO NOT SCALE	250/ ARITHMETICAL AVERAGE
		SCALE 1/1	SHEET 1 OF 1

