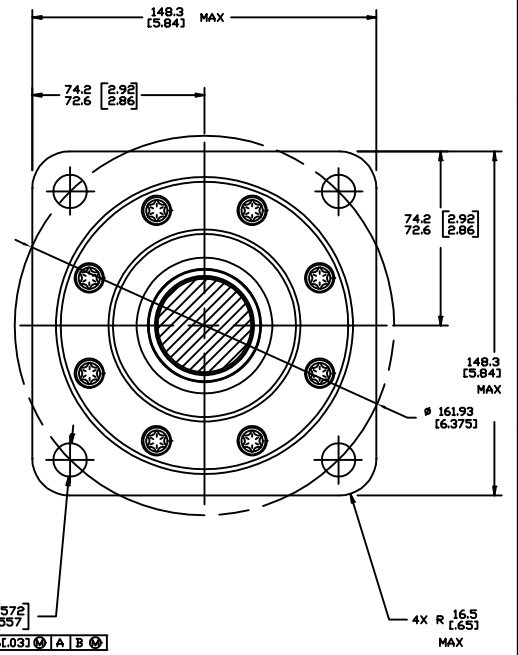
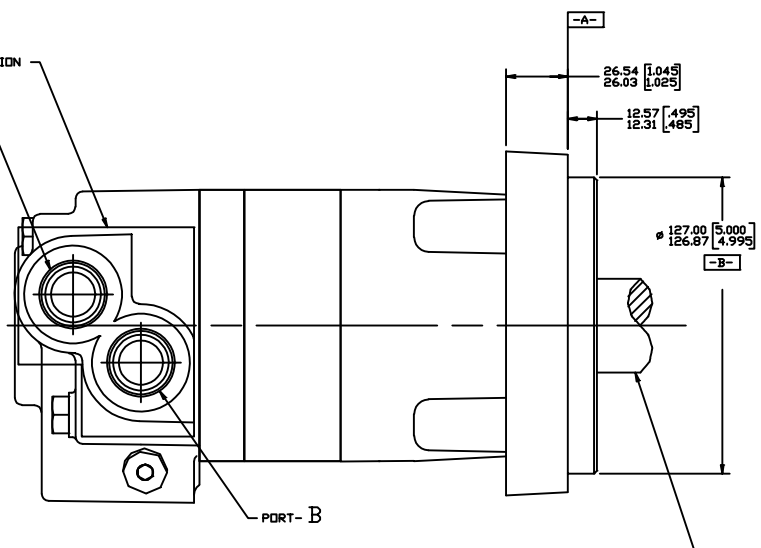
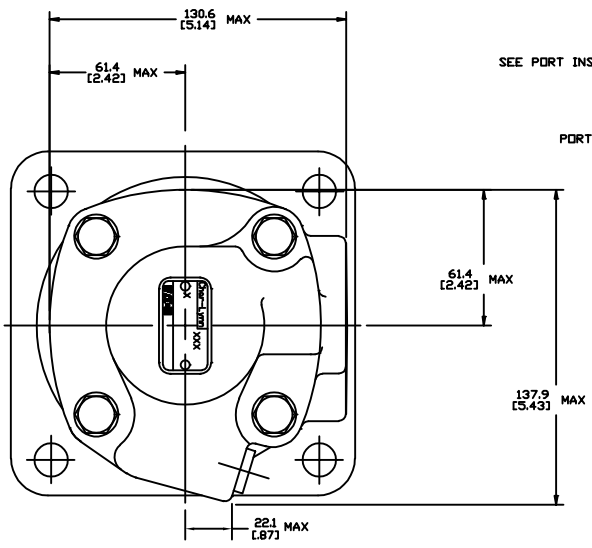


REV	DESCRIPTION	BY	CHK	DATE	ECN
A	ENGINEERING RELEASE	SDR		2-8-92	21551
J	REVISED	SSD		6-28-92	M79455



NOTE

1 ROTATION (STANDARD) WHEN FACING SHAFT END OF MOTOR, SHAFT TO ROTATE, CLOCKWISE WHEN PORT "A" IS PRESSURIZED, COUNTERCLOCKWISE WHEN PORT "B" IS PRESSURIZED.

REVERSE) WHEN FACING SHAFT END OF MOTOR, SHAFT TO ROTATE, COUNTERCLOCKWISE WHEN PORT "B" IS PRESSURIZED, CLOCKWISE WHEN PORT "A" IS PRESSURIZED.

2 MOUNTING TYPE: AF STANDARD, 4 BOLT, 127.00 [5.000] PILOT DIA, 14.27 [0.562] DIA. HOLES ON 161.92 [6.375] DIA. BOLT CIRCLE. *SAE C*

REVIEWED FOR CLASSIFICATION PER ESP -042

UNLESS OTHERWISE SPECIFIED, ALL DIMENSIONS ARE IN INCHES	DRAWING BASED ON ANSI Y14.5M-1982	
INDEX <input type="checkbox"/>	DATE OF REVISION: 08-14-92	
TOLERANCES	NOTE TO PURCHASER: THIS DRAWING IS FOR INFORMATION ONLY. IT IS NOT TO BE USED FOR MANUFACTURE.	
± .0005	REVISED BY: SIR 3-14-92	INTERVIEW TIME
± .001	REVISED BY: KR 8-4-92	
± .002	REVISED BY: RA 8-4-92	TITLE: 4000 MOTOR INSTALLATION
± .005	REVISED BY: [blank]	NUMBER: A-602-000
± .010	THIRD ANGLE PROJECTION	SCALE: 1/1
± .015	DO NOT SCALE	SHEET 1 OF 1