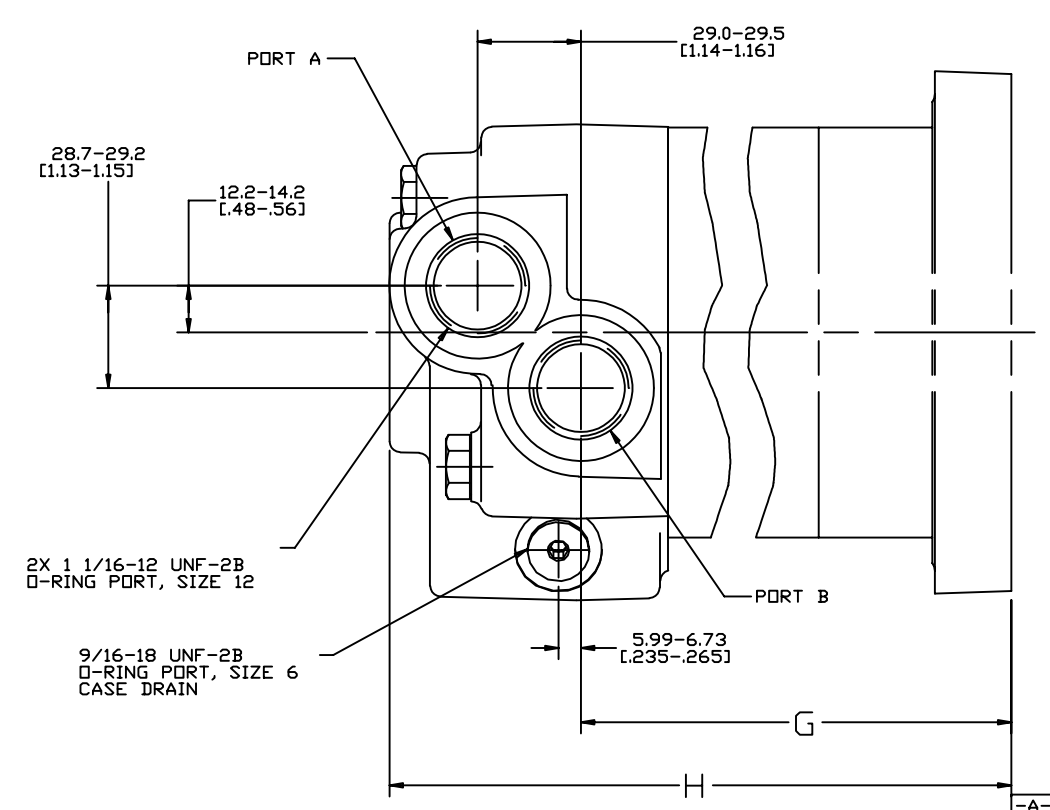
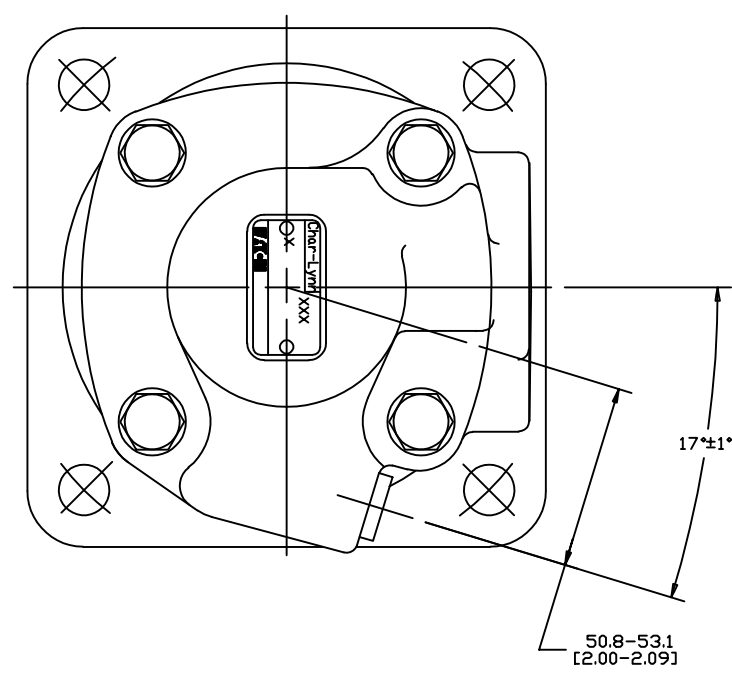


8			7			6			5			4			3			2			1					
MOUNTING TYPE AA & AG			MOUNTING TYPE AB & AM			MOUNTING TYPE AC & AD			MOUNTING TYPE AE			MOUNTING TYPE AF			REV			DESCRIPTION			BY	CHK	DATE	ECN		
DISP	G	H MAX	DISP	G	H MAX	DISP	G	H MAX	DISP	G	H MAX	DISP	G	H MAX	DISP	G	H MAX									
067	90.6-91.5 (3.57-3.60)	146.8 (5.78)	067	157.6-159.1 (6.20-6.26)	214.4 (8.44)	067	86.9-88.0 (3.42-3.47)	143.3 (5.64)	067	138.5-140.4 (5.45-5.53)	195.6 (7.70)	067	161.7-163.3 (6.37-6.43)	218.6 (8.61)	A	ENGINEERING RELEASE			LK		2-8-92	21551				
080	94.6-95.6 (3.73-3.76)	150.8 (5.94)	080	161.6-163.1 (6.36-6.42)	218.4 (8.60)	080	91.0-92.2 (3.58-3.63)	147.3 (5.80)	080	142.5-144.5 (5.61-5.69)	199.6 (7.86)	080	165.8-167.4 (6.53-6.59)	222.7 (8.77)	C	REVISED			JMM		9-8-94	M12407				
099	101.0-101.9 (3.98-4.01)	157.1 (6.19)	099	167.9-169.5 (6.61-6.67)	224.7 (8.85)	099	97.3-98.4 (3.83-3.87)	153.6 (6.05)	099	148.8-150.7 (5.86-5.93)	206.0 (8.11)	099	172.1-173.7 (6.78-6.84)	229.0 (9.01)	D	ADDED LEFT HAND VIEW			AGJ		11-22-98	27499				
125	109.5-110.4 (4.31-4.35)	165.7 (6.52)	125	176.5-178.0 (6.95-7.01)	233.2 (9.18)	125	105.8-106.9 (4.17-4.21)	162.3 (6.39)	125	157.2-159.3 (6.19-6.27)	214.6 (8.45)	125	180.6-182.2 (7.11-7.18)	237.5 (9.35)	E	REVISED PICTORIALY			RAF		2-5-97	29191				
150	101.0-101.9 (3.98-4.01)	157.1 (6.19)	150	167.9-169.5 (6.61-6.67)	224.7 (8.85)	150	97.3-98.4 (3.83-3.87)	153.6 (6.05)	150	148.8-150.7 (5.86-5.93)	206.0 (8.11)	150	172.1-173.7 (6.78-6.84)	229.0 (9.01)	F	REVISED TABULATION BLOCKS			AGJ		5-17-04	47918				
171	105.4-106.3 (4.15-4.18)	161.5 (6.36)	171	172.5-174.0 (6.79-6.85)	229.1 (9.02)	171	101.7-102.8 (4.00-4.05)	158.0 (6.22)	171	153.2-155.1 (6.03-6.11)	210.3 (8.28)	171	176.5-178.1 (6.95-7.01)	233.3 (9.19)	G	-1>(1A)PORT OPTION WAS 'B' -2>ADDED CASE FLOW OPTION '01' -3>UPDATED DISP VALUES AND MOUNTING TYPE IN THE TABLE			AMM		1-24-07	0002527				
190	109.5-110.4 (4.31-4.35)	165.7 (6.52)	190	176.5-178.0 (6.95-7.01)	233.2 (9.18)	190	105.8-106.9 (4.17-4.21)	162.3 (6.39)	190	157.2-159.3 (6.19-6.27)	214.6 (8.45)	190	180.6-182.2 (7.11-7.18)	237.5 (9.35)	H	-1>(5B)WAS 51.8-52.3 (2.04-2.06) -2>(4C)WAS 13.08-13.34 (.515-.525) -3>(5B)REMOVED 15.52-16.88 (.615-.625) -4>(5C)ADDED 28.7-29.2 (1.13-1.15)			SMT	SKS	02-10-10	22583				
240	120.2-121.1 (4.73-4.77)	176.3 (6.94)	240	187.1-188.7 (7.37-7.43)	243.9 (9.60)	240	116.5-117.6 (4.59-4.63)	173.0 (6.81)	240	167.9-169.9 (6.61-6.69)	225.3 (8.87)	240	191.3-192.9 (7.53-7.60)	248.2 (9.77)	J	<2B> ADDED CASE FLOW OPTION '00'			SSS	BP	03-22-18	M107406				
301	133.0-134.0 (5.24-5.28)	189.2 (7.45)	301	199.9-201.6 (7.87-7.94)	256.8 (10.11)	301	129.3-130.5 (5.09-5.14)	185.8 (7.31)	301	180.8-182.8 (7.12-7.20)	238.0 (9.37)	301	204.1-205.8 (8.04-8.10)	261.1 (10.28)												
342	141.7-142.7 (5.58-5.62)	198.1 (7.80)	342	208.8-210.3 (8.22-8.28)	265.7 (10.46)	342	138.2-139.2 (5.44-5.48)	194.6 (7.66)	342	189.5-191.5 (7.46-7.54)	246.9 (9.72)	342	212.8-214.6 (8.38-8.45)	269.7 (10.62)												
381	150.0-151.1 (5.91-5.95)	206.3 (8.12)	381	217.0-218.6 (8.54-8.61)	273.9 (10.78)	381	146.4-147.6 (5.76-5.81)	202.9 (7.99)	381	197.9-199.9 (7.79-7.87)	255.3 (10.05)	381	221.2-222.9 (8.71-8.78)	278.1 (10.95)												

MOUNTING TYPE AH		
DISP	G	H MAX
067	136.9-138.2 (5.39-5.44)	193.5 (7.62)
080	141.0-142.2 (5.55-5.60)	197.6 (7.78)
099	147.3-148.6 (5.80-5.85)	204.0 (8.03)
125	155.7-157.2 (6.13-6.19)	212.3 (8.36)
150	147.3-148.6 (5.80-5.85)	204.0 (8.03)
171	151.6-152.9 (5.97-6.02)	208.3 (8.20)
190	155.7-157.2 (6.13-6.19)	212.3 (8.36)
240	166.4-167.9 (6.55-6.61)	223.0 (8.78)
301	179.3-180.8 (7.06-7.12)	236.0 (9.29)
342	188.0-189.5 (7.40-7.46)	244.8 (9.64)
381	196.3-197.9 (7.73-7.79)	253.0 (9.96)



NOTES
 (J) 1 PORTS - OPTION AB
 2 CASE FLOW - OPTION 01 OR 00

UNLESS OTHERWISE SPECIFIED ALL DIMENSIONS ARE IN INCHES <input type="checkbox"/> MILLIMETERS <input checked="" type="checkbox"/>		DRAWING BASED ON ANSI Y14.5M-1982	
TOLERANCES XX ± REF XXX ± ONLY /		EATON CORPORATION - CONFIDENTIAL AND PROPRIETARY NOTICE TO PERSONS RECEIVING THIS DRAWING AND / OR TECHNICAL INFORMATION THIS DRAWING IS THE PROPERTY OF EATON CORPORATION. IT IS TO BE USED ONLY FOR THE PURPOSES AND IN THE MANNER SPECIFIED HEREIN. IT IS NOT TO BE REPRODUCED, COPIED, OR TRANSMITTED IN ANY FORM OR BY ANY MEANS, ELECTRONIC OR MECHANICAL, INCLUDING PHOTOCOPYING, RECORDING, OR BY ANY INFORMATION STORAGE AND RETRIEVAL SYSTEM, WITHOUT THE WRITTEN PERMISSION OF EATON CORPORATION. ALL RIGHTS RESERVED.	
UNSPECIFIED RADII ARE ---		DRAWN BY/DATE LK 5-16-92 CHECKED BY/DATE KJR 7-28-92 ENGR BY/DATE RVA 7-31-92 METALLURGY BY/DATE	
UNSPECIFIED DRAFT ANGLES ARE ---		MATERIAL/HEAT TREAT ---	
DRAWING FORMAT CADD (BY MANUAL)		TITLE 4000 SERIES MOTOR PORT INSTALLATION	
THIRD ANGLE PROJECTION		NUMBER A-556-007	
DO NOT SCALE		SCALE 1/1 SHEET 1 OF 1	