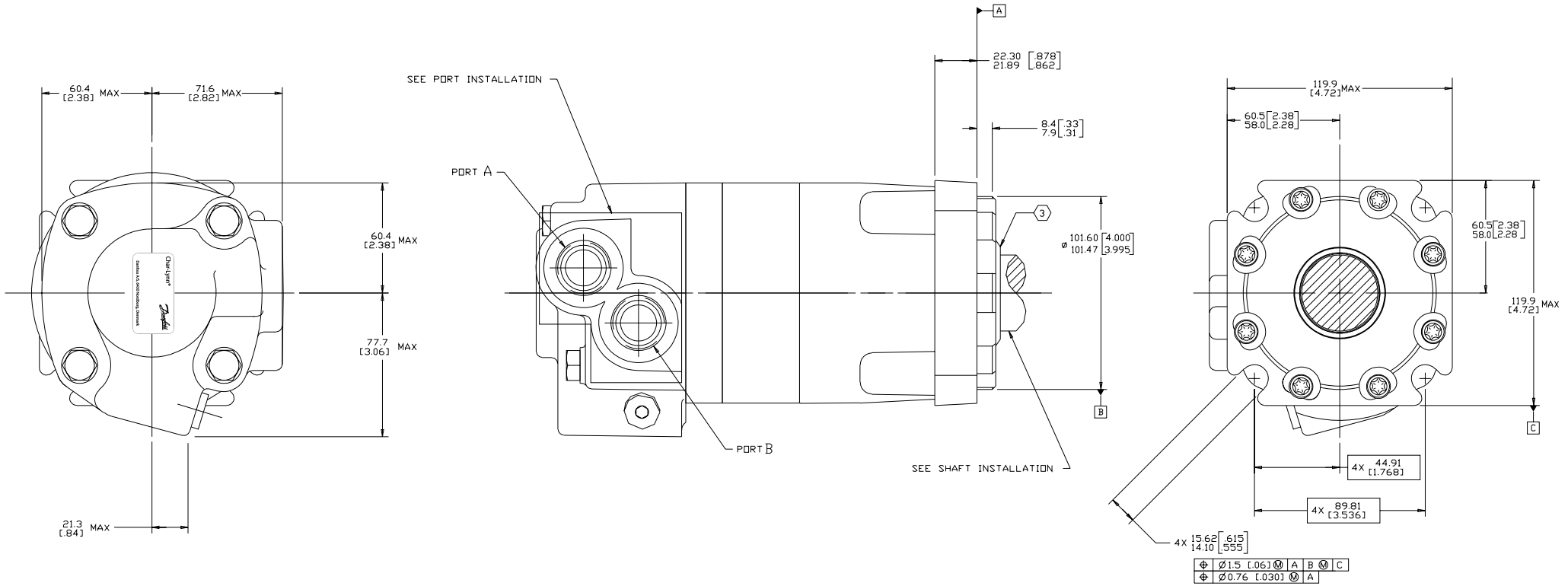


REV	REVISION	BY	DATE	ECN
A	ENGINEERING RELEASE	SDR	2-8-92	21551
E	REVISED FOR ASSY STACK UP	SKS	07-21-09	M76462
F	-1X(7A) ADDED NOTE (3)-2) DRAWING UPDATED TO ASME Y14.5M-1994 STANDARD	ABH	10-03-13	M90645
G	(2B)15.6(15)14.1(.555) WAS 15.2(.60)14.5(.57)	SMT	09-02-17	0082994



NOTE

1 ROTATION:
 STANDARD; WHEN FACING SHAFT END OF MOTOR, SHAFT TO ROTATE;
 CLOCKWISE WHEN PORT "A" IS PRESSURIZED
 COUNTERCLOCKWISE WHEN PORT "B" IS PRESSURIZED

REVERSE; WHEN FACING SHAFT END OF MOTOR, SHAFT TO ROTATE;
 COUNTERCLOCKWISE WHEN PORT "B" IS PRESSURIZED
 CLOCKWISE WHEN PORT "A" IS PRESSURIZED

2 MOUNTING TYPE: AB
 STANDARD, 4 BOLT: 101.60 [4.000] PILOT DIA.
 14.7 [.58] SLOTS DN 127.00 [5.000] DIA.
 BOLT CIRCLE, "SAE B"

(3) SEAL GUARD APPLICABLE IF INDICATED ON PART LIST

REVIEWED FOR CLASSIFICATION PER ESP -042

DRAWING BASED ON ASME Y14.5M-1994

UNLESS OTHERWISE SPECIFIED, DIMENSIONS ARE IN:	DRAWING BASED ON ASME Y14.5M-1994	
INCHES <input type="checkbox"/>	THE REPRODUCTION, DISTRIBUTION AND UTILIZATION OF THIS DOCUMENT, AS WELL AS THE COMMUNICATION OF ITS CONTENTS TO OTHERS WITHOUT EXPLICIT AUTHORIZATION IS PROHIBITED. OFFENDERS WILL BE HELD LIABLE FOR THE PAYMENT OF DAMAGES. ALL RIGHTS RESERVED IN THE EVENT OF A PATENT, UTILITY MODEL, OR DESIGN. (PER ISO 9000)	
MILLIMETERS <input checked="" type="checkbox"/>	<i>Danfoss</i>	
TOLERANCES	MATERIAL/HEAT TREAT	
xx + REF	DRAWN: SDR 3-14-92	
xxx + DNL Y	BY DATE: 08/24/92	
z - - - -	CHECKED: KJR 8-4-92	
UNSPECIFIED RADI ARE	ENGR: RVA 8-4-92	TITLE
METALLURGY - - - -	BY DATE	4000 MOTOR INSTALLATION
UNSPECIFIED DRAFT ANGLES ARE	THIRD ANGLE PROJECTION	NUMBER
DO NOT SCALE	DO NOT SCALE	A-598
	SCALE 1/1	SHEET 1 OF 1