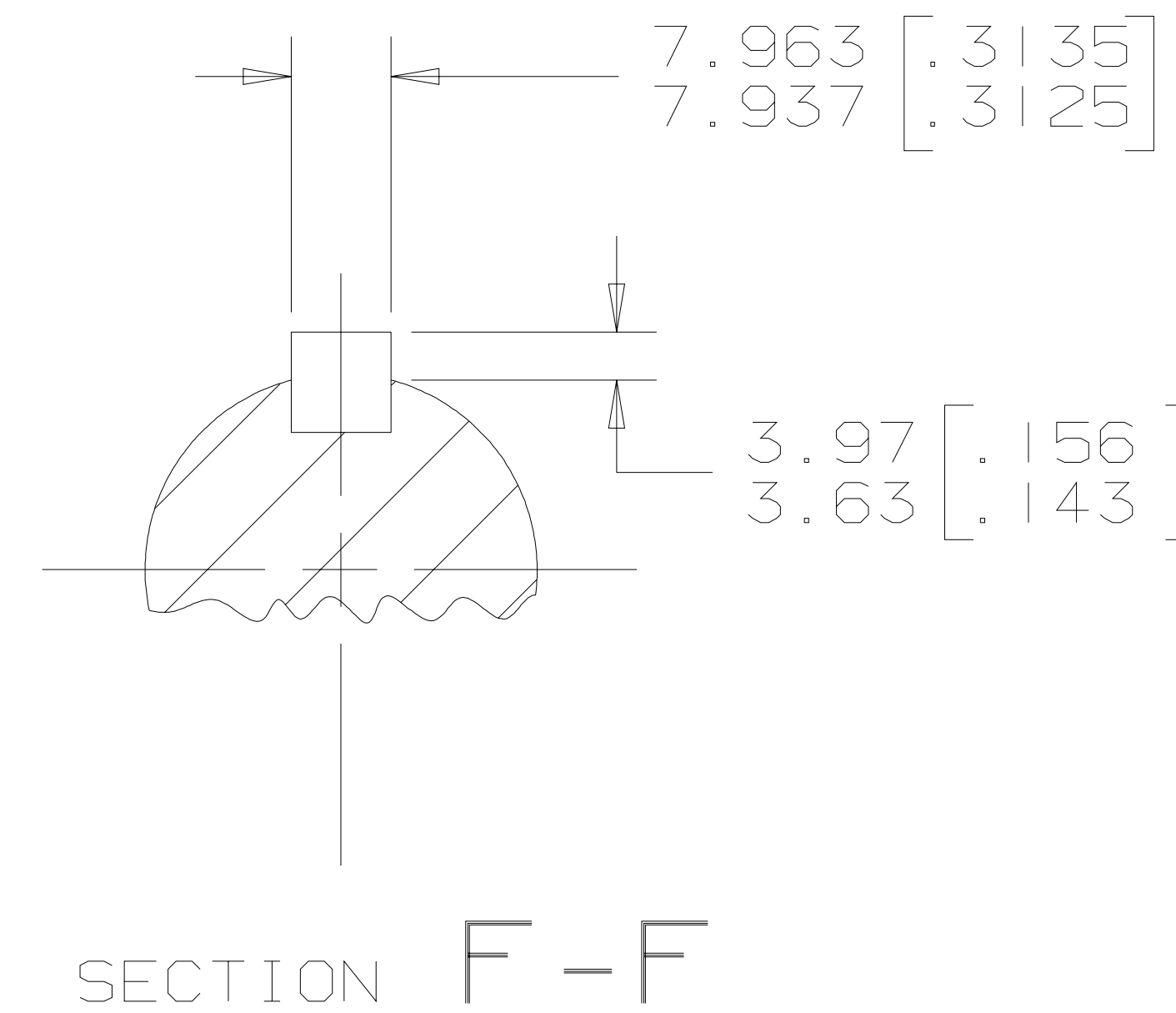
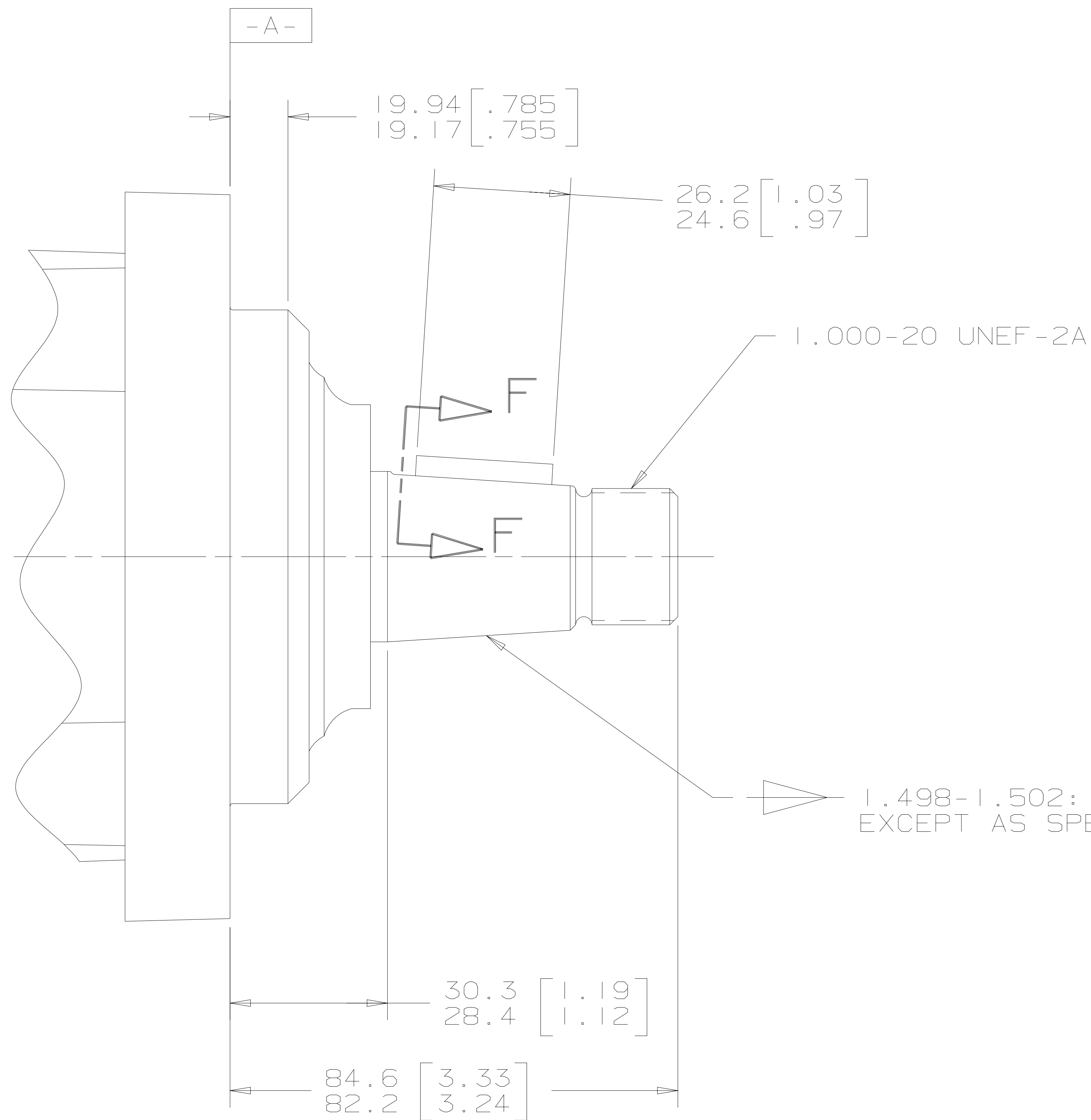

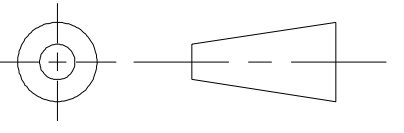


SYM	REVISION	BY	DATE	ECN
A	ENGINEERING RELEASE	SDR	2-8-92	21551
B	-1) MOUNTING TYPE WAS "E" -2) OUTPUT SHAFT WAS "O7"	SSD	1-24-07	0002527



NOTE

- 1 MOUNTING TYPE: OPTION AE
- 2 OUTPUT SHAFT: OPTION O5

UNLESS OTHERWISE SPECIFIED ALL DIMENSIONS ARE IN		DRAWING BASED ON ANSI Y14.5M-1982	
INCHES <input type="checkbox"/>	MILLIMETERS [INCHES] <input checked="" type="checkbox"/>	THE REPRODUCTION, DISTRIBUTION, AND UTILIZATION OF THIS DOCUMENT, AS WELL AS THE COMMUNICATION OF ITS CONTENTS TO OTHERS WITHOUT EXPLICIT AUTHORIZATION IS PROHIBITED. OFFENDERS WILL BE HELD LIABLE FOR THE PAYMENT OF DAMAGES. ALL RIGHTS RESERVED IN THE EVENT OF THE GRANT OF A PATENT, UTILITY MODEL, OR DESIGN. (PER ISO 16016)	
TOLERANCES			
.X ±----	.XX ±REF		
.XXX ±ONLY	< ----	DRAWN BY/DATE SDR 4/9/92 CHECKED BY/DATE ENGRG BY/DATE METALLURGY BY/DATE	MATERIAL/HEAT TREAT
UNSPECIFIED RADII ARE	UNSPECIFIED DRAFT ANGLES ARE	TITLE 4000 SERIES MOTOR SHAFT INSTALLATION	
DRAWING FORMAT CADD <input checked="" type="checkbox"/> MANUAL <input type="checkbox"/>	THIRD ANGLE PROJECTION 	MICROINCHES <input checked="" type="checkbox"/> MICROMETERS [MICROINCHES] <input type="checkbox"/> ARITHMETICAL AVERAGE <input checked="" type="checkbox"/>	NUMBER A-608-001
DO NOT SCALE		SCALE 1/1	SHEET 1 OF 1