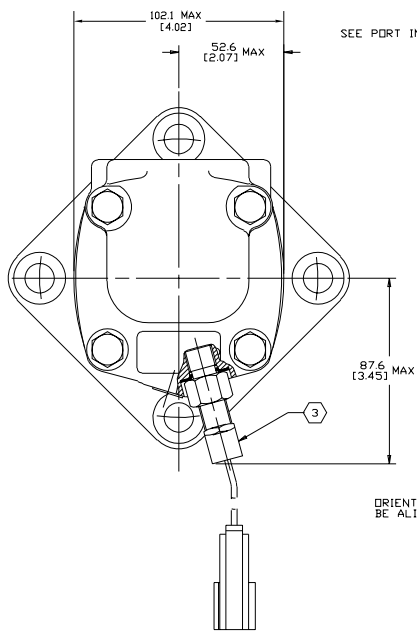
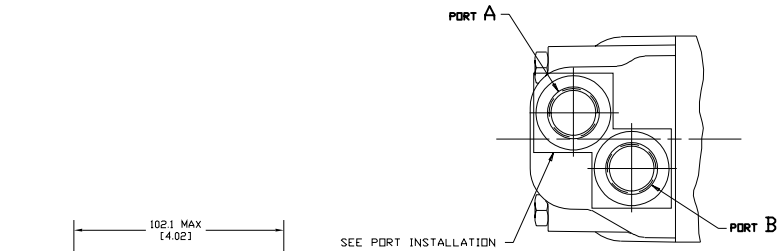


REV	DESCRIPTION	BY	CHK	DATE	ECN
A	ENGINEERING RELEASE	RAF		9-7-95	M14095
B	(46B) ADDED NOTE "ORIENTATION GROOVE"	AGJ		10-7-99	33309
C	(44A) NOTE 2 WAS MOUNTING TYPE: D AND E	AGJ		5-13-02	41044
D	REVISED PICTORIALY	AGJ		11-14-03	45640
E	-1X7C) ADDED 102.1 [4.02] MAX -2X7C) 52.6 [2.07] WAS 98.6 [1.91] -3X7B) 87.6 [3.45] WAS 83.6 [3.29] -4X(6C)59.5 [2.34] WAS 57.7 [2.27] -5X(3B) REMOVED [4X 44.91 [1.768]] -6X(3B) REMOVED [4X 85.24 [3.556]] -6X(8B) REVISED PICTORIALY	CSG	AAB	10-30-13	M90817A



SEE PORT INSTALLATION

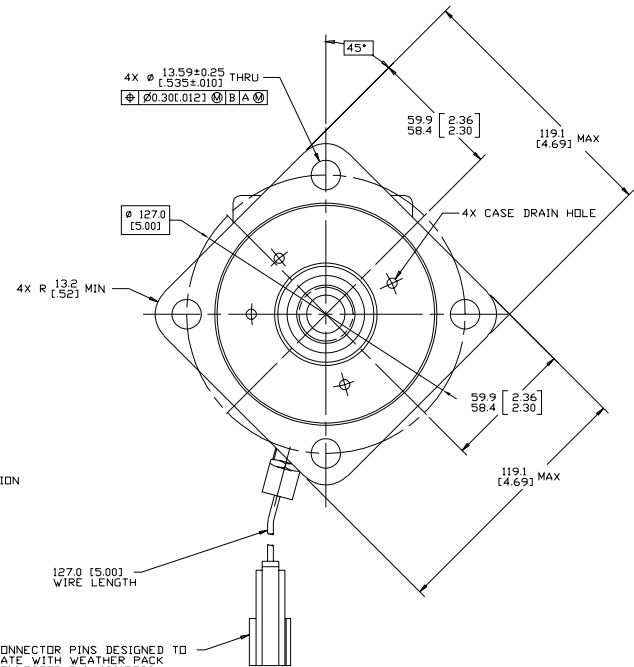
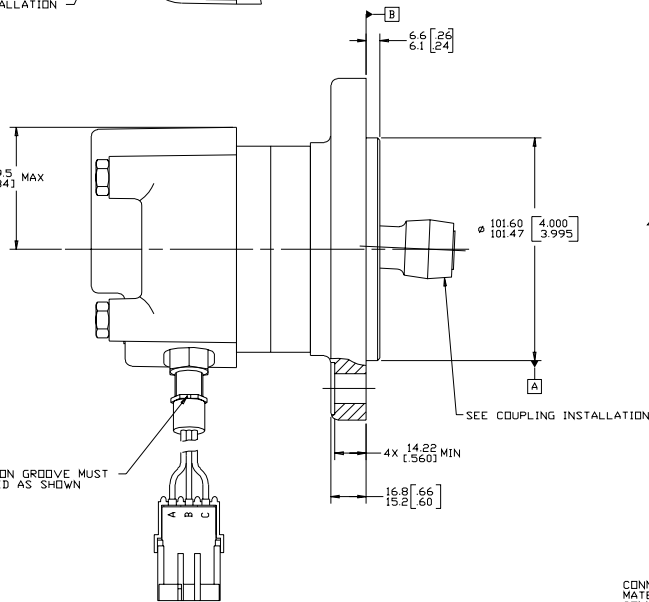
ORIENTATION GROOVE MUST BE ALIGNED AS SHOWN

NOTE

- 1 ROTATION:
 STANDARD: WHEN FACING SHAFT END OF MOTOR, SHAFT TO ROTATE; CLOCKWISE WHEN PORT "A" IS PRESSURIZED; COUNTERCLOCKWISE WHEN PORT "B" IS PRESSURIZED
 REVERSE: WHEN FACING SHAFT END OF MOTOR, SHAFT TO ROTATE; COUNTERCLOCKWISE WHEN PORT "B" IS PRESSURIZED; CLOCKWISE WHEN PORT "A" IS PRESSURIZED

- 2 MOUNTING TYPE: AD AND AE
 BEARINGLESS, 4 BOLT: ϕ 101.6 [4.00] PILD
 ϕ 13.99 [0.55] HOLES ON ϕ 127.0 [5.00] BOLT CIRCLE

- 3 NOMINAL SENSOR OUTPUT WILL BE 30 ELECTRICAL PULSES PER SHAFT REVOLUTION
 SUPPLY VOLTAGE: 0 TO 28 Vdc
 OUTPUT VOLTAGE: LOW .5 Vdc AT 10 mA; HIGH Vs-1 Vdc



CONNECTOR PINS DESIGNED TO MATE WITH WEATHER PACK CONNECTOR P/N 12015792
 TERMINAL P/N 12089040
 CONTACT RATINGS: 5 AMPS MAX AT 12 VOLTS
 (A=POWER, B=SIGNAL, C=COMMON)

		REVIEWED FOR CLASSIFICATION PER ESP-042	
<small>UNLESS OTHERWISE SPECIFIED ALL DIMENSIONS ARE IN MILLIMETERS</small>		DRAWING BASED ON ASME Y14.5-2009	
<small>TOLERANCES</small> FRACTIONS: ±0.13 DECIMALS: ±0.05 ANGLES: ±0.5°		<small>MATERIAL/HEAT TREAT</small> BRN/1016 RAF 9-7-95 DYN/1016 AGJ 9-8-95	
<small>UNAPPROVED HAND ARE BY/DATE</small> UNAPPROVED HAND ARE BY/DATE		TITLE 2000 SERIES MOTOR INSTALL	
<small>UNAPPROVED DRAFT ANGLE ARE</small> UNAPPROVED DRAFT ANGLE ARE		NUMBERED DIMENSIONS A-666-009	
<small>D SIZE</small> D SIZE		THIRD ANGLE PROJECTION THIRD ANGLE PROJECTION	
<small>DO NOT SCALE</small> DO NOT SCALE		SCALE 1/1 SHEET 1 OF 1	

