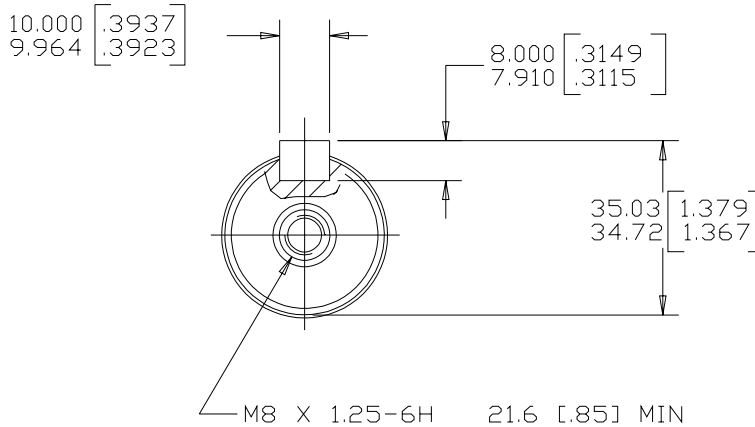
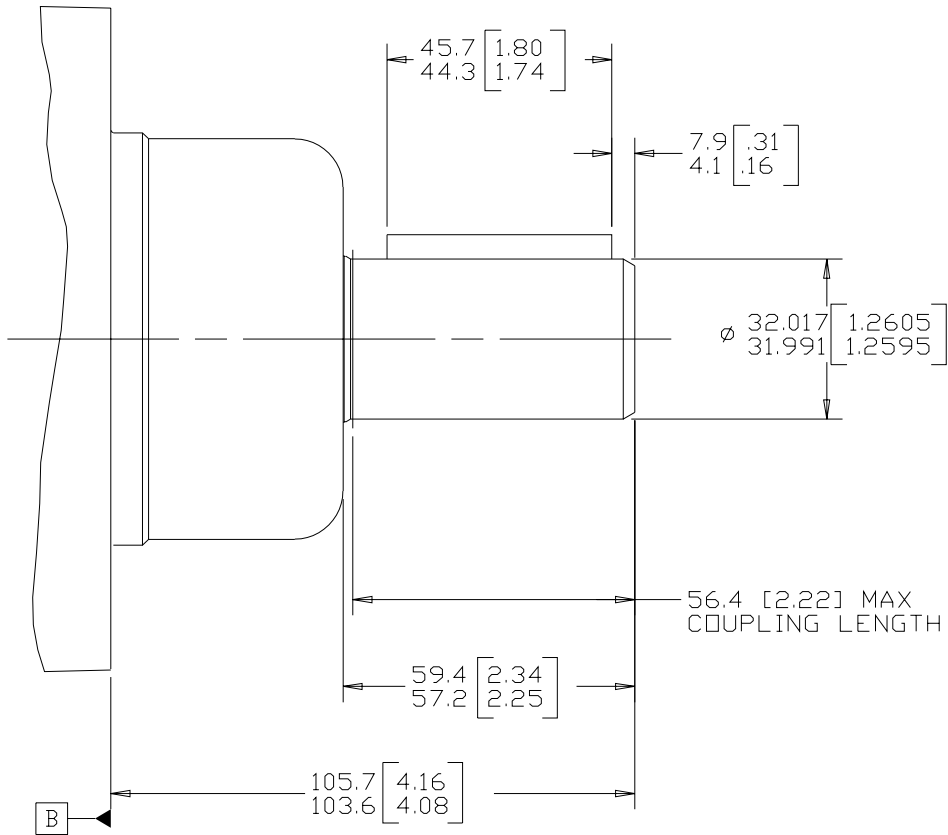


REV	DESCRIPTION	BY	CHK	DATE	ECN
A	RELEASE FOR SAMPLES AND ESTIMATE	AGJ		10-16-98	M20255
B	NOTE 1 WAS MOUNTING TYPE: OPTION R	AGJ		5-13-02	41044
C	REVISED	AGJ		5-17-04	47918
D	NOTE 2 WAS OUTPUT SHAFT: OPTION 23	PM		4-4-06	54522
E	NOTE 1 ADDED MOUNTING TYPE OPTION CA	YUP	YUP	10-05-16	M102121



REVIEWED FOR CLASSIFICATION PER ESP -042

NOTE

- 1 MOUNTING TYPE: OPTION AR, CA
- 2 OUTPUT SHAFT: OPTION 16

UNLESS OTHERWISE SPECIFIED ALL DIMENSIONS ARE IN INCHES <input type="checkbox"/> MILLIMETERS (INCHES) <input checked="" type="checkbox"/>		DRAWING BASED ON ASME Y14.5M-2009	
TOLERANCES x ± ---- xx ± REF xxx ± ONLY ∠ ± ----		EATON CORPORATION - CONFIDENTIAL AND PROPRIETARY NOTICE TO PERSONS RECEIVING THIS DRAWING AND / OR TECHNICAL INFORMATION <small>THIS DOCUMENT, INCLUDING THE DRAWING AND INFORMATION CONTAINED THEREIN, IS CONFIDENTIAL AND IS THE EXCLUSIVE PROPERTY OF EATON CORPORATION, AND IS MERELY ON LOAN AND SUBJECT TO RECALL BY EATON AT ANY TIME. BY TAKING POSSESSION OF THIS DOCUMENT, THE RECIPIENT, ACKNOWLEDGES AND AGREES THAT THIS DOCUMENT CANNOT BE USED IN ANY MANNER ADVERSE TO THE INTERESTS OF EATON, AND THAT NO PORTION OF THIS DOCUMENT MAY BE COPIED OR OTHERWISE REPRODUCED WITHOUT THE PRIOR WRITTEN CONSENT OF EATON. IN THE CASE OF CONFLICTING CONTRACTUAL PROVISIONS, THIS NOTICE SHALL GOVERN THE STATUS OF THIS DOCUMENT. COPYRIGHT 2008 EATON CORPORATION - ALL RIGHTS RESERVED.</small>	
UNSPECIFIED RADII ARE ----		ENGRG BY/DATE TRF 11-12-98	TITLE 2000 SERIES MOTOR SHAFT INSTALLATION
UNSPECIFIED DRAFT ANGLES ARE ----		CHECKED BY/DATE GCB 11-10-98	MATERIAL/HEAT TREAT
DRAWING FORMAT CADD <input checked="" type="checkbox"/> MANUAL <input type="checkbox"/>		METALLURGY BY/DATE ----	NUMBER A-842-023
THIRD ANGLE PROJECTION		DO NOT SCALE	SCALE 1/1 SHEET 1 OF 1

**EATON**  
Powering Business Worldwide  
Eaton Hydraulics LLC  
14615 Lone Oak Road  
Eden Prairie, MN 55344  
USA