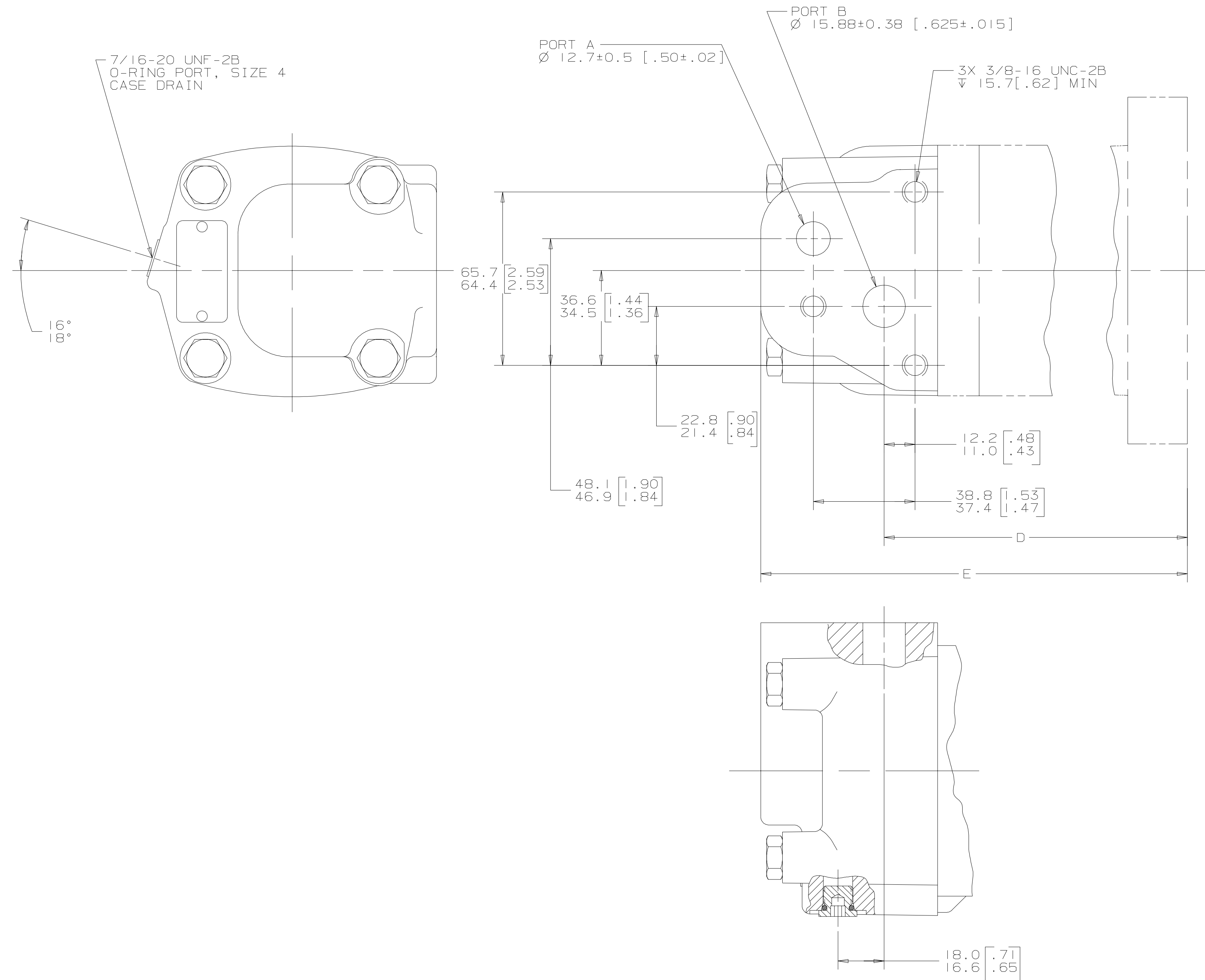


8 MOUNTING TYPE AA			7 MOUNTING TYPE AB, AM, AP, AR, AV, BB, BF, BG, BH			6 MOUNTING TYPE AC, AF, AH, AN, AS, AW, AU, AY, BA, BE, BD			5 MOUNTING TYPE AD, AE, BJ		
DISP	D	E MAX	DISP	D	E MAX	DISP	D	E MAX	DISP	D	E MAX
049	147.3-148.3 [5.80-5.84]	195.3 [7.68]	049	96.0-97.5 [3.78-3.84]	144.0 [5.67]	049	136.1-137.7 [5.36-5.42]	184.2 [7.25]	049	77.7-80.0 [3.06-3.15]	126.5 [4.98]
055	149.4-150.9 [5.88-5.94]	197.5 [7.77]	055	98.3-99.8 [3.87-3.93]	146.3 [5.76]	055	138.5-140.0 [5.45-5.51]	186.5 [7.34]	055	80.0-82.3 [3.15-3.24]	128.8 [5.07]
062	151.7-153.3 [5.97-6.03]	199.8 [7.87]	062	100.6-102.4 [3.96-4.03]	148.8 [5.86]	062	140.7-142.5 [5.54-5.61]	189.0 [7.44]	062	82.3-84.8 [3.24-3.34]	131.3 [5.17]
080	158.5-159.5 [6.23-6.28]	206.0 [8.11]	080	107.2-108.7 [4.22-4.28]	155.2 [6.11]	080	147.3-148.8 [5.80-5.86]	195.3 [7.69]	080	88.9-91.2 [3.50-3.59]	137.7 [5.42]
096	158.5-159.5 [6.23-6.28]	206.0 [8.11]	096	107.2-108.7 [4.22-4.28]	155.2 [6.11]	096	147.3-148.8 [5.80-5.86]	195.3 [7.69]	096	88.9-91.2 [3.50-3.59]	137.7 [5.42]
119	165.1-166.1 [6.50-6.54]	212.9 [8.38]	119	114.0-115.3 [4.48-4.54]	161.8 [6.37]	119	154.2-155.4 [6.06-6.12]	201.9 [7.95]	119	95.5-97.8 [3.76-3.85]	144.3 [5.68]
149	174.2-175.3 [6.86-6.90]	222.0 [8.74]	149	122.9-124.5 [4.84-4.90]	171.0 [6.73]	149	163.1-164.6 [6.42-6.48]	211.1 [8.31]	149	104.6-106.9 [4.12-4.21]	153.4 [6.04]
187	185.4-186.7 [7.30-7.35]	233.2 [9.18]	187	134.4-135.6 [5.29-5.34]	182.1 [7.17]	187	174.5-175.8 [6.87-6.92]	222.2 [8.75]	187	116.1-118.1 [4.57-4.65]	164.6 [6.48]
240	201.2-202.8 [7.92-7.98]	249.3 [9.82]	240	150.1-151.9 [5.91-5.98]	198.4 [7.81]	240	190.2-192.0 [7.49-7.56]	238.5 [9.39]	240	131.8-134.4 [5.19-5.29]	180.8 [7.12]
298	218.6-220.2 [8.61-8.67]	266.7 [10.50]	298	167.6-169.2 [6.60-6.66]	215.7 [8.49]	298	207.8-209.3 [8.18-8.24]	255.8 [10.07]	298	149.4-151.6 [5.88-5.97]	198.1 [7.80]

MOUNTING TYPE AJ & BC		
DISP	D	E MAX
049	139.7-141.7 [5.50-5.58]	188.2 [7.41]
055	142.0-144.0 [5.59-5.67]	190.5 [7.50]
062	144.3-146.6 [5.68-5.77]	193.0 [7.60]
080	150.9-152.9 [5.94-6.02]	199.4 [7.85]
096	150.9-152.9 [5.94-6.02]	199.4 [7.85]
119	157.5-159.5 [6.20-6.28]	206.0 [8.11]
149	166.6-168.7 [6.56-6.64]	215.1 [8.47]
187	178.1-179.8 [7.01-7.08]	226.3 [8.91]
240	193.8-196.1 [7.63-7.72]	242.6 [9.55]
298	211.3-213.4 [8.32-8.40]	259.8 [10.23]



SYM	REVISION	BY	DATE	ECN
A	ENGINEERING RELEASE	AGJ	5-26-93	22833
B	(8C)ADDED TAB MOUNTING TYPE J	GCB	2-5-97	M16891
C	(7D)ADDED MOUNTING TYPE 7 TO TAB BLOCK	SMM	11-19-01	M26745
D	(7D)ADDED MOUNTING TYPE R TO TAB BLOCK	AGJ	1-21-03	M29691
E	-1)REVISED MOUNTING TAB CODES -2)NOTE 1 WAS PORT OPTION: B -2)ADDED NOTE 2	AGJ	5-13-02	41044
F	(8C)REVISED TAB VALUES FOR MOUNTING TYPE AJ	AGJ	6-18-03	44362
G	REVISED TABULATION BLOCKS	AGJ	5-17-04	47918
H	REVISED DISPLACEMENT FOR TABULATION BLOCKS	RG	6-26-06	56090
J	REVISED	KNR	8-31-09	M76813

NOTE
 1 PORT OPTION: AB OR AE
 2 CASE FLOW OPTION: O1 OR O7

REVIEWED FOR CLASSIFICATION PER ESP-042

UNLESS OTHERWISE SPECIFIED ALL DIMENSIONS ARE IN INCHES <input type="checkbox"/> MILLIMETERS <input checked="" type="checkbox"/>		DRAWING BASED ON ANSI Y14.5M-1982	
EATON CORPORATION - CONFIDENTIAL AND PROPRIETARY NOTICE TO PERSONS RECEIVING THIS DRAWING AND / OR TECHNICAL INFORMATION			
THIS DOCUMENT, INCLUDING THE DRAWING AND INFORMATION CONTAINED THEREON, IS CONFIDENTIAL AND IS THE PROPERTY OF EATON CORPORATION AND IS TO BE KEPT SECRET BY ALL PERSONS TO WHOM IT IS LOANED OR REPRODUCED IN ANY MANNER. THE RECIPIENT AGREES TO ACCEPT THE OBLIGATION OF CONFIDENTIALITY AND TO RETURN TO EATON ALL COPIES OF THIS DOCUMENT AND TO DESTROY ALL COPIES OF THIS DOCUMENT IN THE EVENT OF CONFLICTING CONTRACTUAL PROVISIONS. THIS NOTICE SHALL GOVERN THE STATUS OF THIS DOCUMENT. COPYRIGHT 2006 EATON CORPORATION - ALL RIGHTS RESERVED.		Eaton Hydraulic Inc. 14615 Lone Oak Road Eden Prairie, MN 55344 USA	
DRIVER: A. JOHNSON BY/DATE: 3-4-93	CHECKED: SDR 6-24-93 BY/DATE:	MATERIAL/HEAT TREAT	
UNSPECIFIED RADII ARE	ENGRD: SZ 6-28-93 BY/DATE:	TITLE: 2000 SERIES MOTOR PORT INSTALLATION	
UNSPECIFIED DRAFT ANGLES ARE	METALLURGY:-----	NUMBER: A-673-002	
DRAWING FORMAT: CADD <input checked="" type="checkbox"/> MANUAL <input type="checkbox"/>	THIRD ANGLE PROJECTION	SCALE: 1/1 SHEET 1 OF 1	