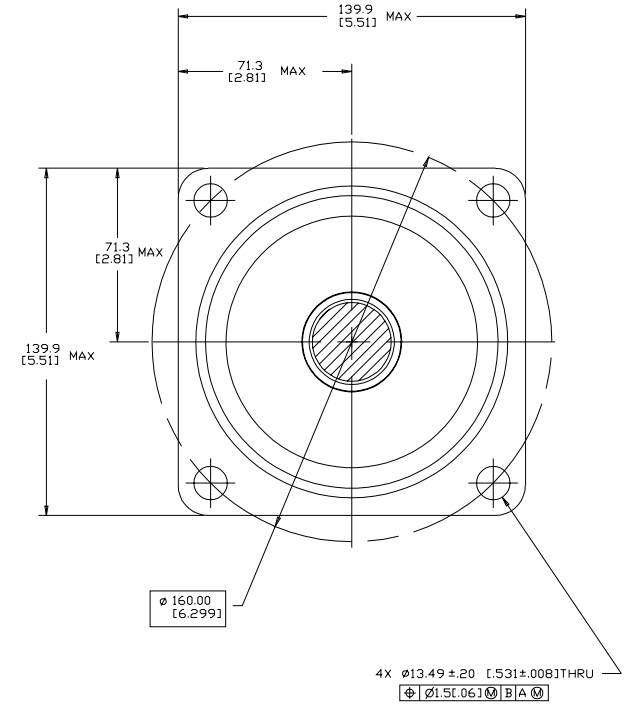
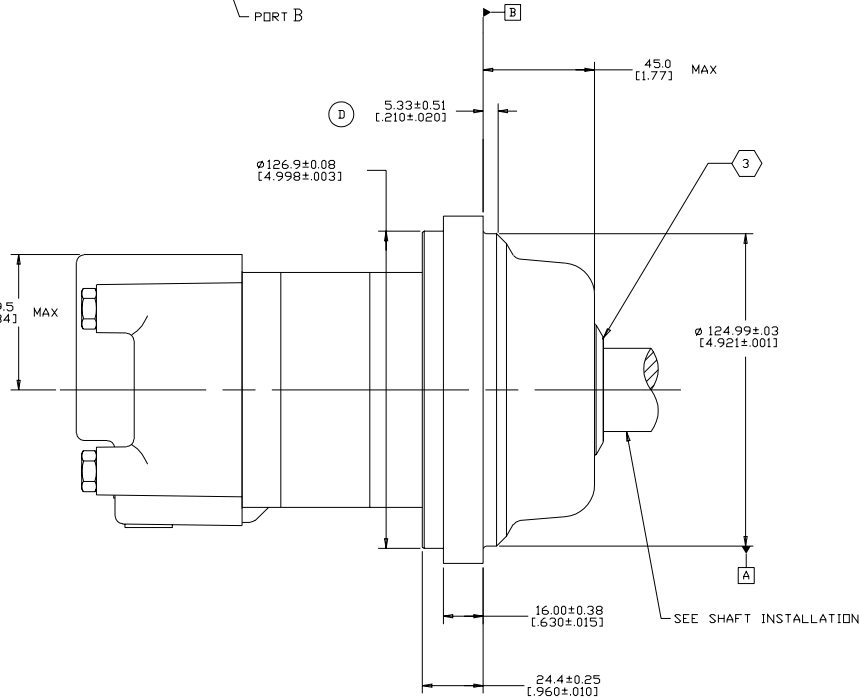
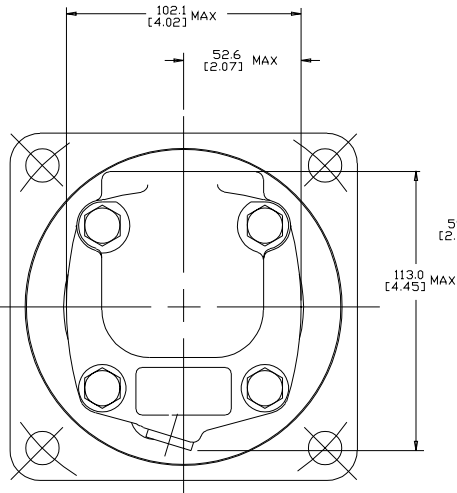
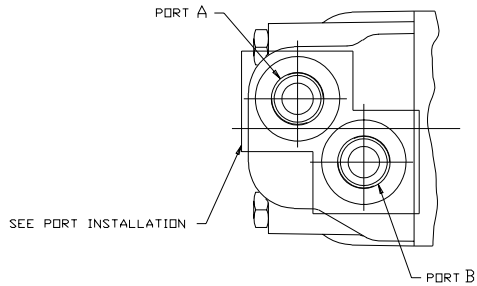


SYM	REVISION	BY	DATE	ECN
A	ENGINEERING RELEASE	AGJ	5-26-93	22833
B	-1X(1A)13.49±.20 WAS 13.49±.270/-0.00 -2X(4B)24.4±0.25 WAS 2.38±0.25	RAF	12-18-96	M16620
C	(4A)NOTE 2 WAS MOUNTING TYPE: L	AGJ	3/13/02	41044
D	(5C)WAS 5.79±0.38 [2.28±0.15]	HRK	11/25/08	ECR 13753
E	-1)REVISED AS PER STACK-UP -2)UPDATED TO ASME Y14.5-2009 STANDARD -3)X(4C)ADDED NOTE 3	NRI	02/16/15	M95661



NOTE

- ROTATION:  
STANDARD: WHEN FACING SHAFT END OF MOTOR, SHAFT TO ROTATE;  
CLOCKWISE WHEN PORT "A" IS PRESSURIZED  
COUNTERCLOCKWISE WHEN PORT "B" IS PRESSURIZED  
REVERSE: WHEN FACING SHAFT END OF MOTOR, SHAFT TO ROTATE;  
CLOCKWISE WHEN PORT "B" IS PRESSURIZED  
COUNTERCLOCKWISE WHEN PORT "A" IS PRESSURIZED

- MOUNTING TYPE: AL  
WHEEL (EUROPEAN), 4 BOLT; 125.0 [4.92] Ø PILOT  
Ø13.49 [.531] HOLES DN Ø 159.99 [6.299] BOLT CIRCLE

3 APPLICABLE FOR SEAL GUARD OPTION

REVIEWED FOR CLASSIFICATION PER ESP -042

UNLESS OTHERWISE SPECIFIED AS IN DIMENSIONS ARE IN		DRAWING BASED ON ASME Y14.5-2009	
INCHES	<input type="checkbox"/>	EXTRA CERTIFICATION - CONFIDENTIAL AND PROPRIETARY	
MILLIMETERS	<input checked="" type="checkbox"/>	NOTES TO PERSON RECEIVING THIS DRAWING	
TOLERANCES		<input type="checkbox"/> THIS DRAWING AND ANY PART CONTAINED THEREIN IS THE PROPERTY OF FAYATON HYDRAULICS, LLC. IT IS TO BE USED ONLY FOR THE PROJECT AND QUANTITY SPECIFIED ON THE DRAWING. IT IS NOT TO BE REPRODUCED, COPIED, OR TRANSMITTED IN ANY FORM OR BY ANY MEANS, ELECTRONIC OR MECHANICAL, INCLUDING PHOTOCOPYING, RECORDING, OR BY ANY INFORMATION STORAGE AND RETRIEVAL SYSTEM, WITHOUT THE WRITTEN PERMISSION OF FAYATON HYDRAULICS, LLC. <input type="checkbox"/> THIS DRAWING IS THE PROPERTY OF FAYATON HYDRAULICS, LLC. IT IS TO BE USED ONLY FOR THE PROJECT AND QUANTITY SPECIFIED ON THE DRAWING. IT IS NOT TO BE REPRODUCED, COPIED, OR TRANSMITTED IN ANY FORM OR BY ANY MEANS, ELECTRONIC OR MECHANICAL, INCLUDING PHOTOCOPYING, RECORDING, OR BY ANY INFORMATION STORAGE AND RETRIEVAL SYSTEM, WITHOUT THE WRITTEN PERMISSION OF FAYATON HYDRAULICS, LLC.	
XX + REF	DRAWN: A. JOHNSON	MATERIAL/HEAT TREAT	
XXX + DNL Y	BY DATE: 3-22-92		
	CHECKED: SHB	<input type="checkbox"/> MICROFILMS <input type="checkbox"/> NUMBER	
	BY DATE: 6-28-93	<input type="checkbox"/> THIRD ANGLE PROJECTION <input checked="" type="checkbox"/> DO NOT SCALE	
	ENGR: C. J.	<input type="checkbox"/> METALLURGY <input type="checkbox"/> BY DATE:	
		<input type="checkbox"/> UNDESIGNED RADI ARE <input type="checkbox"/> DRAFT ANGLES ARE	
		<input type="checkbox"/> DO NOT SCALE <input checked="" type="checkbox"/> MATHEMATICAL AVERAGE	
TITLE		2000 SERIES WHEEL MOTOR INSTALLATION	
D SIZE		SCALE 1/1 SHEET 1 OF 1	
DRAWING NUMBER		A-672-001	