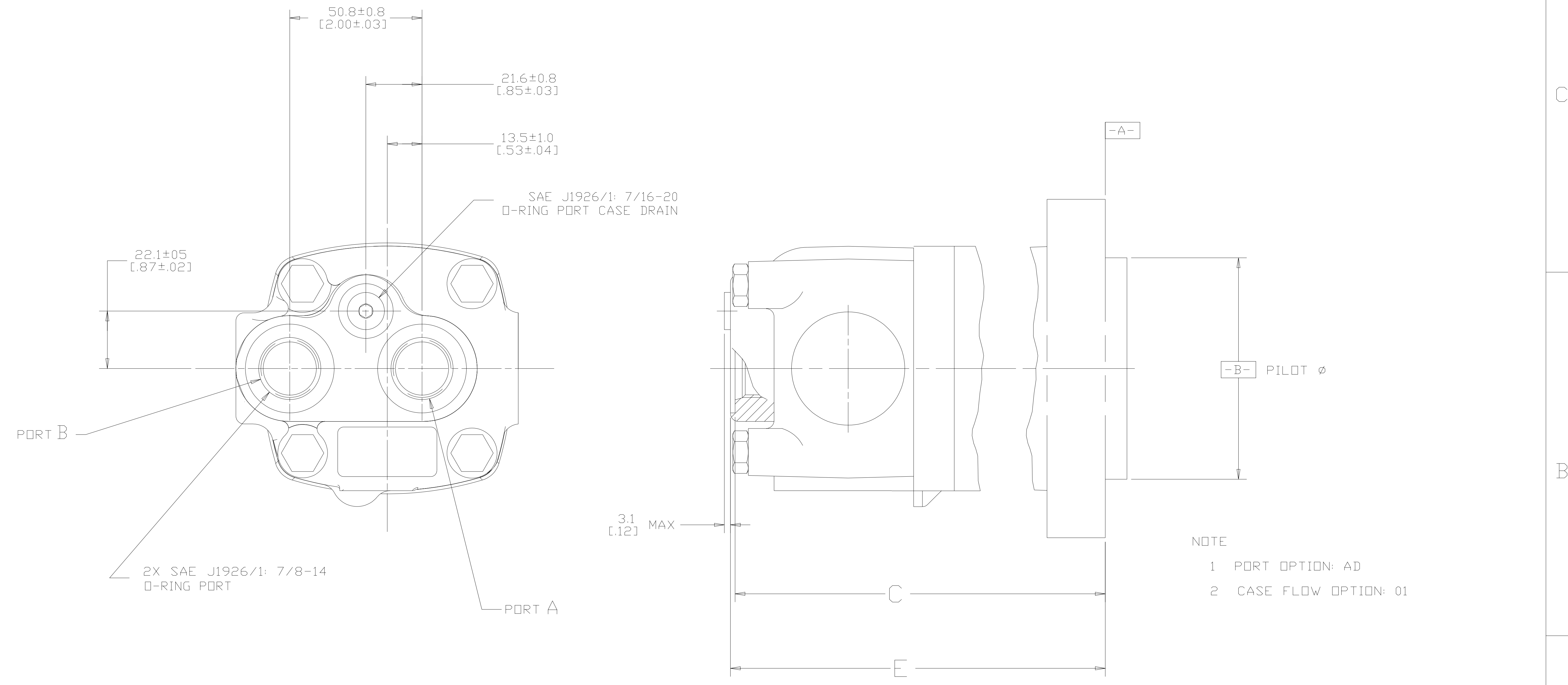


8			7			6			5			4			3			2			1		
MOUNTING TYPE(S) AB,AM,AP,AR,AV,BB,BF,BG,BH			MOUNTING TYPE(S) AC,AF,AH,AN,AS,AU,AW,AY,BA,BD,BE			MOUNTING TYPE AG			MOUNTING TYPE AD,AE,BJ			REV			REVISION			BY DATE ECN					
DISP	C	E MAX	DISP	C	E MAX	DISP	C	E MAX	DISP	C	E MAX	DISP	C	E MAX									
049	141.7-143.3 [5.58-5.64]	145.3 [5.72]	049	181.9-183.4 [7.16-7.22]	185.4 [7.30]	049	169.9-171.4 [6.69-6.75]	173.5 [6.83]	049	123.4-125.7 [4.86-4.95]	127.8 [5.03]	049	123.4-125.7 [4.86-4.95]	127.8 [5.03]	A	ENGINEERING RELEASE	RAF	5-24-93	M8201				
055	144.0-145.6 [5.67-5.73]	147.7 [5.81]	055	184.2-185.7 [7.25-7.31]	188.0 [7.40]	055	172.2-173.8 [6.78-6.84]	175.9 [6.92]	055	125.7-128.1 [4.95-5.04]	130.1 [5.12]	055	125.7-128.1 [4.95-5.04]	130.1 [5.12]	B	REVISED	AGJ	5-26-93	22833				
062	146.3-148.1 [5.76-5.83]	150.1 [5.91]	062	186.4-188.2 [7.34-7.41]	190.2 [7.49]	062	174.5-176.3 [6.87-6.94]	178.3 [7.02]	062	128.0-130.6 [5.04-5.14]	132.6 [5.22]	062	128.0-130.6 [5.04-5.14]	132.6 [5.22]	C	<7D>ADDED "N" TO MOUNTING TYPE C & H	AGJ	9-8-93	M8627				
080	152.9-154.4 [6.02-6.08]	156.5 [6.16]	080	193.0-194.6 [7.60-7.66]	196.6 [7.74]	080	181.1-182.6 [7.13-7.19]	184.6 [7.27]	080	134.6-136.9 [5.30-5.39]	138.9 [5.47]	080	134.6-136.9 [5.30-5.39]	138.9 [5.47]	D	<6D>ADDED MOUNTING TYPE "D"	RAF	9-18-93	M8731				
096	152.9-154.4 [6.02-6.08]	156.5 [6.16]	096	193.0-194.6 [7.60-7.66]	196.6 [7.74]	096	181.1-182.6 [7.13-7.19]	184.6 [7.27]	096	134.6-136.9 [5.30-5.39]	138.9 [5.47]	096	134.6-136.9 [5.30-5.39]	138.9 [5.47]	E	<8D>ADDED MOUNTING TYPE "P"	KJR	11-17-93	M8845				
119	159.5-161.0 [6.28-6.34]	163.1 [6.42]	119	199.6-201.2 [7.86-7.92]	203.2 [8.00]	119	187.7-189.2 [7.39-7.45]	191.3 [7.53]	119	141.2-143.5 [5.56-5.65]	145.5 [5.73]	119	141.2-143.5 [5.56-5.65]	145.5 [5.73]	F	<7D>ADDED MOUNTING TYPE "S"	KJR	5-17-94	M11794				
149	168.7-170.2 [6.64-6.70]	172.2 [6.78]	149	208.8-210.3 [8.22-8.28]	212.3 [8.36]	149	196.8-198.4 [7.75-7.81]	200.4 [7.89]	149	150.4-152.7 [5.92-6.01]	154.7 [6.09]	149	150.4-152.7 [5.92-6.01]	154.7 [6.09]	G	<7D>ADDED MOUNTING TYPE "U"	MGF	5-16-01	M25404A				
187	180.1-181.3 [7.09-7.14]	183.4 [7.22]	187	220.1-221.7 [8.66-8.73]	223.7 [8.81]	187	208.1-209.8 [8.19-8.26]	211.8 [8.34]	187	161.6-164.0 [6.36-6.46]	166.1 [6.54]	187	161.6-164.0 [6.36-6.46]	166.1 [6.54]	H	<7D>ADDED MOUNTING TYPE "G"	AGJ	7-24-02	M28437A				
240	195.8-197.6 [7.71-7.78]	199.6 [7.86]	240	236.0-237.7 [9.29-9.36]	239.8 [9.44]	240	224.0-225.8 [8.82-8.89]	227.8 [8.97]	240	177.5-180.1 [6.99-7.09]	182.1 [7.17]	240	177.5-180.1 [6.99-7.09]	182.1 [7.17]	J	-1>REVISED MOUNTING TAB CODES -2>NOTE 1 WAS PORT OPTION: F OR M -2>ADDED NOTE 2	AGJ	5-13-02	41044				
298	213.4-214.9 [8.40-8.46]	216.9 [8.54]	298	253.5-255.0 [9.98-10.04]	257.0 [10.12]	298	241.6-243.1 [9.51-9.57]	245.1 [9.65]	298	195.1-197.4 [7.68-7.77]	199.4 [7.85]	298	195.1-197.4 [7.68-7.77]	199.4 [7.85]	K	REVISED TABULATION BLOCKS	AGJ	5-17-04	47918				
MOUNTING TYPE AJ,BC			MOUNTING TYPE AL																				
DISP	C	E MAX	DISP	C	E MAX																		
049	185.4-187.5 [7.30-7.38]	189.5 [7.46]	049	143.7-145.3 [5.66-5.72]	147.3 [5.80]																		
055	187.7-189.8 [7.39-7.47]	191.9 [7.55]	055	146.0-147.6 [5.75-5.81]	149.7 [5.89]																		
062	190.0-192.3 [7.48-7.57]	194.3 [7.65]	062	148.3-150.1 [5.84-5.91]	152.1 [5.99]																		
080	196.6-198.6 [7.74-7.82]	200.7 [7.90]	080	154.9-156.4 [6.10-6.16]	158.5 [6.24]																		
096	196.6-198.6 [7.74-7.82]	200.7 [7.90]	096	154.9-156.4 [6.10-6.16]	158.5 [6.24]																		
119	203.2-205.2 [8.00-8.08]	207.3 [8.16]	119	161.5-163.0 [6.36-6.42]	165.1 [6.50]																		
149	212.3-214.4 [8.36-8.44]	216.4 [8.52]	149	170.7-172.2 [6.72-6.78]	174.2 [6.86]																		
187	223.6-225.8 [8.80-8.89]	227.8 [8.97]	187	182.1-183.3 [7.17-7.22]	185.4 [7.30]																		
240	239.5-241.8 [9.43-9.52]	243.8 [9.60]	240	197.8-199.6 [7.79-7.86]	201.6 [7.94]																		
298	257.0-259.12 [10.12-10.20]	261.1 [10.28]	298	215.4-216.9 [8.48-8.54]	218.9 [8.62]																		

8			7			6			5			4			3			2			1		
MOUNTING TYPE AJ,BC			MOUNTING TYPE AL																				
DISP	C	E MAX	DISP	C	E MAX																		
049	185.4-187.5 [7.30-7.38]	189.5 [7.46]	049	143.7-145.3 [5.66-5.72]	147.3 [5.80]																		
055	187.7-189.8 [7.39-7.47]	191.9 [7.55]	055	146.0-147.6 [5.75-5.81]	149.7 [5.89]																		
062	190.0-192.3 [7.48-7.57]	194.3 [7.65]	062	148.3-150.1 [5.84-5.91]	152.1 [5.99]																		
080	196.6-198.6 [7.74-7.82]	200.7 [7.90]	080	154.9-156.4 [6.10-6.16]	158.5 [6.24]																		
096	196.6-198.6 [7.74-7.82]	200.7 [7.90]	096	154.9-156.4 [6.10-6.16]	158.5 [6.24]																		
119	203.2-205.2 [8.00-8.08]	207.3 [8.16]	119	161.5-163.0 [6.36-6.42]	165.1 [6.50]																		
149	212.3-214.4 [8.36-8.44]	216.4 [8.52]	149	170.7-172.2 [6.72-6.78]	174.2 [6.86]																		
187	223.6-225.8 [8.80-8.89]	227.8 [8.97]	187	182.1-183.3 [7.17-7.22]	185.4 [7.30]																		
240	239.5-241.8 [9.43-9.52]	243.8 [9.60]	240	197.8-199.6 [7.79-7.86]	201.6 [7.94]																		
298	257.0-259.12 [10.12-10.20]	261.1 [10.28]	298	215.4-216.9 [8.48-8.54]	218.9 [8.62]																		



REVIEWED FOR CLASSIFICATION PER ESP-042

DRAWING BASED ON ANSI Y14.5M-1982

UNLESS OTHERWISE SPECIFIED ALL DIMENSIONS ARE IN:
 INCHES
 MILLIMETERS

TOLERANCES:
 X ± -----
 XX ± -----
 XXX ± -----
 <-----
 UNDEFINED RADIUS ARE -----
 UNDEFINED DRAFT ANGLES ARE -----
 DRAWING FORMAT CADD MANUAL

THE REPRODUCTION, DISTRIBUTION, AND UTILIZATION OF THIS DOCUMENT, AS WELL AS THE COMMUNICATION OF ITS CONTENTS TO OTHERS WITHOUT EXPLICIT AUTHORIZATION IS PROHIBITED. OFFENDERS WILL BE HELD LIABLE FOR THE PAYMENT OF DAMAGES. ALL RIGHTS RESERVED IN THE EVENT OF THE GRANT OF A PATENT, UTILITY MODEL, OR DESIGN (PER ISO 1010)

DRAWN BY/DATE: A JOHNSON 2-23-93
 CHECKED BY/DATE: SDR 5-27-93
 ENGR BY/DATE: ME 5-27-93
 METALLURGY BY/DATE: -----

MATERIAL/HEAT TREAT: -----
 TITLE: 2000 SERIES MOTOR PORT INSTALLATION
 NUMBER: A-673-006
 SCALE: 1/1
 SHEET: 1 OF 1

DO NOT SCALE

ARTHRITICAL AVERAGE

THIRD ANGLE PROJECTION

DAVID BROWN