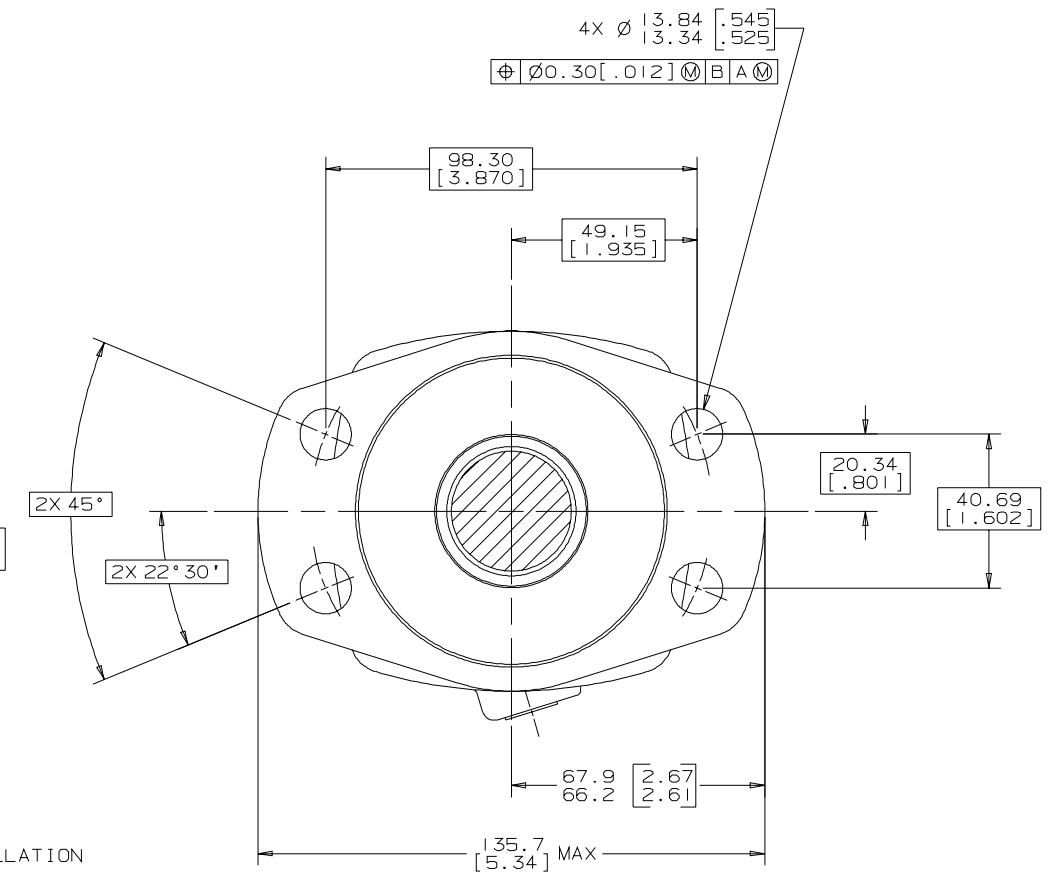
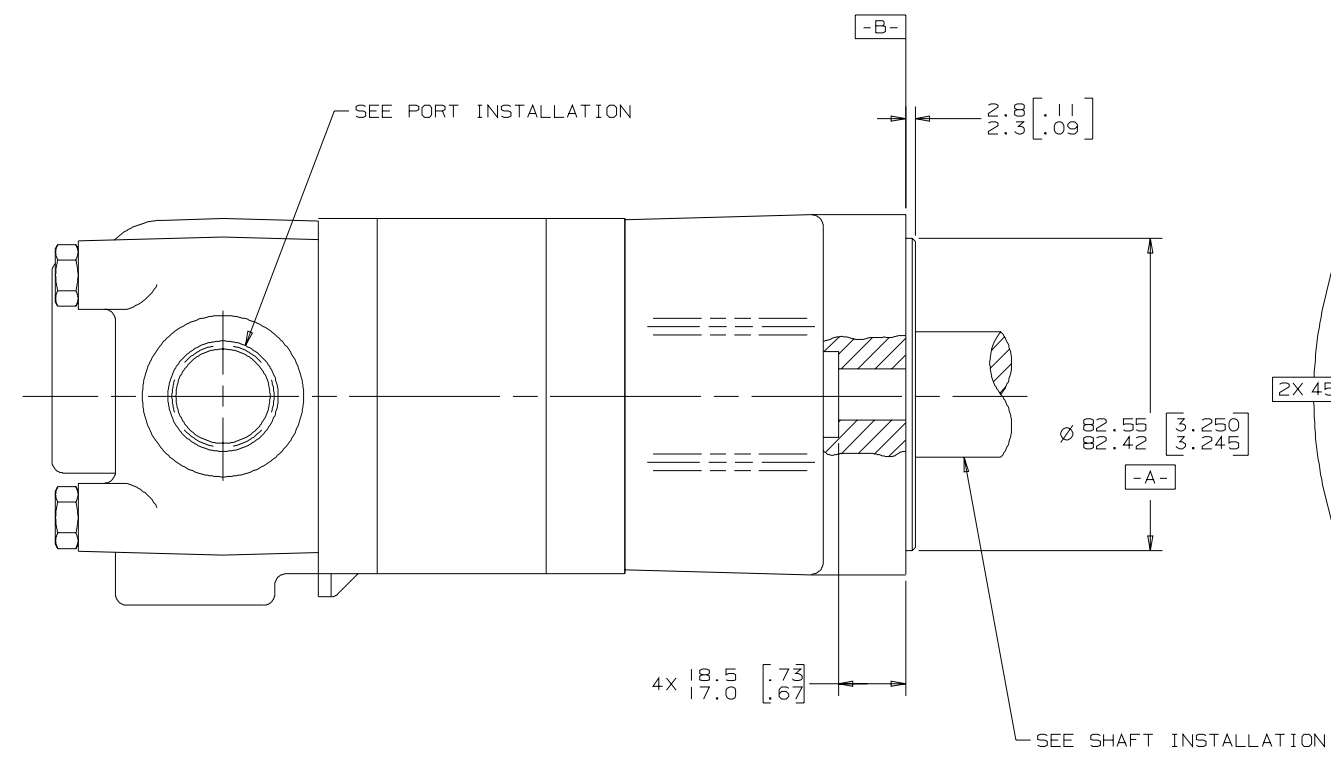
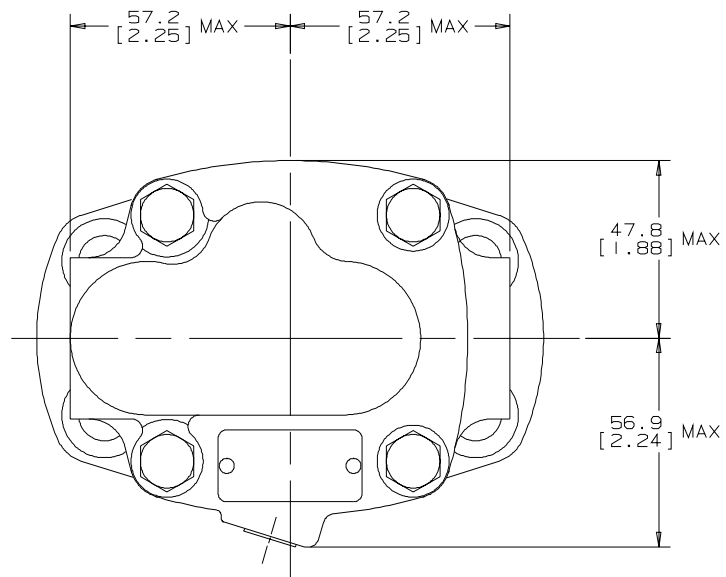
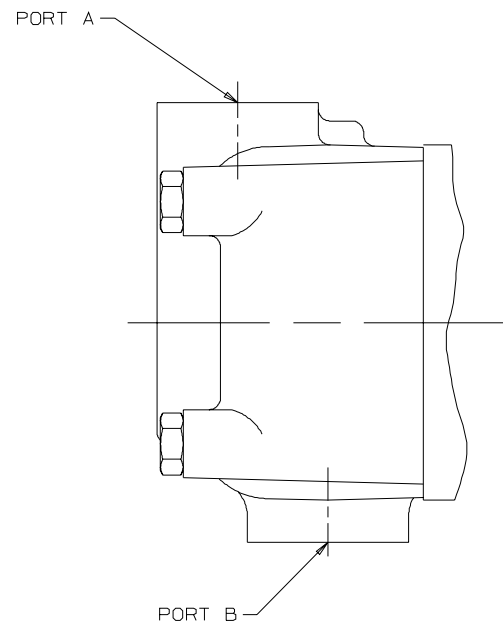


SYM	REVISION	BY	DATE	ECN
A	ENGINEERING RELEASE	AGJ	5-26-93	22833
B	(4A)NOTE 2 WAS MOUNTING TYPE: J	AGJ	5/13/02	41044



NOTE

1 ROTATION:  
STANDARD: WHEN FACING SHAFT END OF MOTOR, SHAFT TO ROTATE;  
CLOCKWISE WHEN PORT "A" IS PRESSURIZED  
COUNTERCLOCKWISE WHEN PORT "B" IS PRESSURIZED

REVERSE: WHEN FACING SHAFT END OF MOTOR, SHAFT TO ROTATE;  
CLOCKWISE WHEN PORT "B" IS PRESSURIZED  
COUNTERCLOCKWISE WHEN PORT "A" IS PRESSURIZED

2 MOUNTING TYPE: AJ  
STANDARD (MAGNETO), 4 BOLT: Ø 82.6 [3.25] PILOT  
Ø 13.59 [.535] HOLES ON Ø 106.4 [4.19] BOLT CIRCLE  
2.79 [.110] PILOT LENGTH

UNLESS OTHERWISE SPECIFIED ALL DIMENSIONS ARE IN		DRAWING BASED ON ANSI Y14.5M-1982	
INCHES <input type="checkbox"/>	MILLIMETERS <input checked="" type="checkbox"/>	THE REPRODUCTION, DISTRIBUTION, AND UTILIZATION OF THIS DOCUMENT, AS WELL AS THE COMBINATION OF ITS CONTENTS TO OTHERS WITHOUT EXPLICIT AUTHORIZATION IS PROHIBITED. OFFENDERS WILL BE HELD LIABLE FOR THE PAYMENT OF DAMAGES. ALL RIGHTS RESERVED IN THE EVENT OF THE GRANT OF A PATENT, UTILITY MODEL, OR DESIGN (PER ISO 10010)	
TOLERANCES			
.X	----	DRAWN BY/DATE	A. JOHNSON 3-18-93
.XX	+REF	CHECKED BY/DATE	SDR 6-24-93
.XXX	+ONLY	ENGR BY/DATE	SJZ 6-28-93
<	----	METALLURGY BY/DATE	----
UNSPECIFIED RADIi ARE	----	TITLE	2000 SERIES MOTOR INSTALL
UNSPECIFIED DRAFT ANGLES ARE	----	WIDRINCHES <input type="checkbox"/>	NUMBER
DRAWING FORMAT CAD <input type="checkbox"/> MANUAL <input checked="" type="checkbox"/>	THIRD ANGLE PROJECTION	WIDMETERS <input type="checkbox"/>	A-671-003
	DO NOT SCALE	ARITHMETICAL AVERAGE <input checked="" type="checkbox"/>	SCALE 1/1 SHEET 1 OF 1

G K S