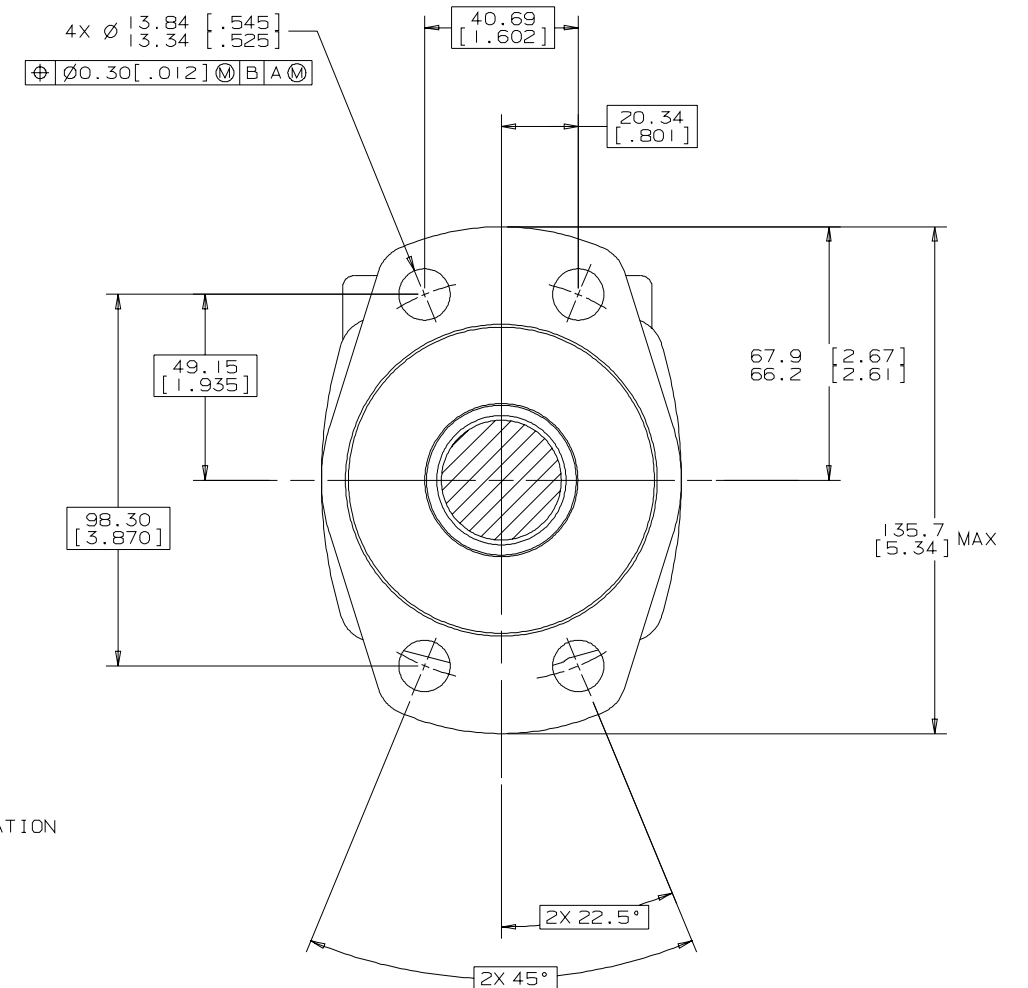
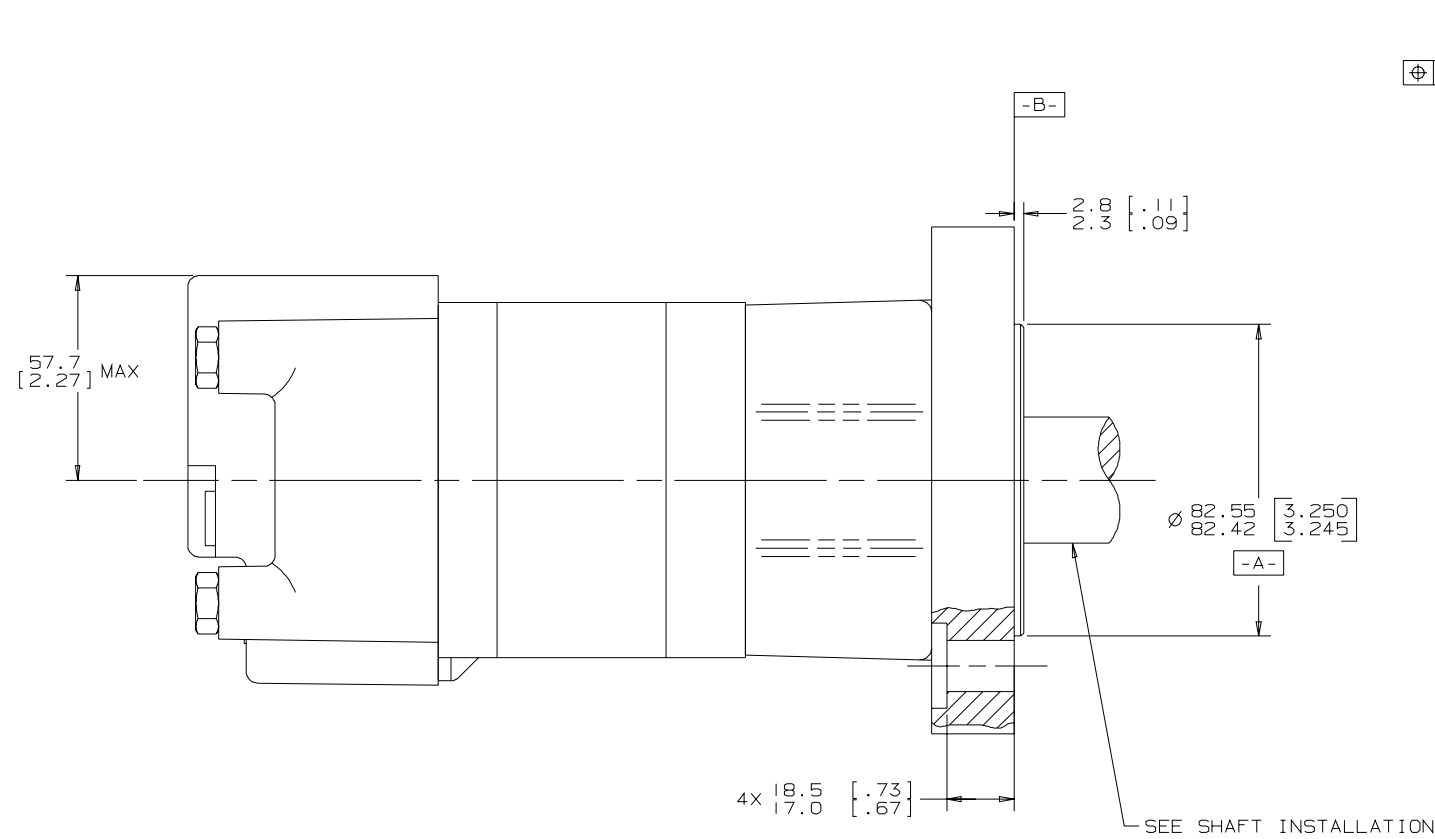
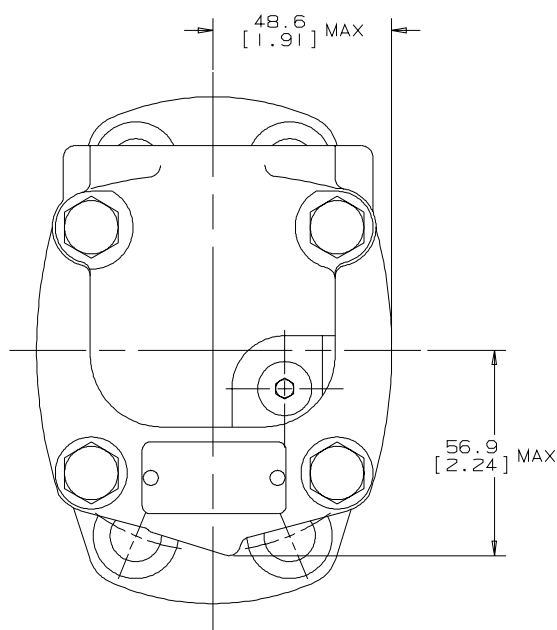
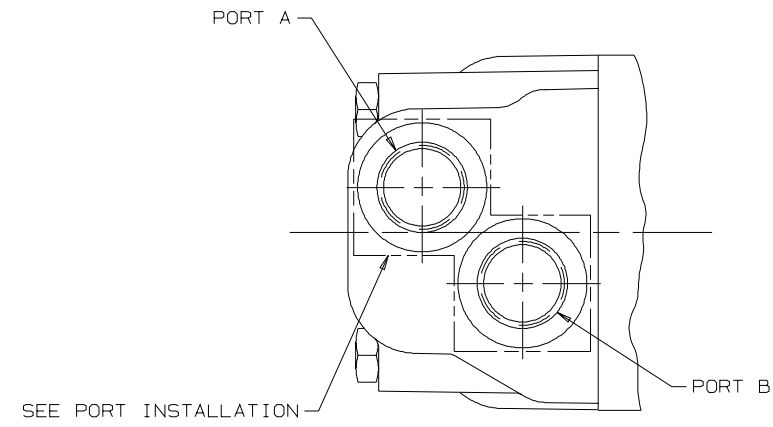


REV	DESCRIPTION	BY	CHK	DATE	ECN
A	ENGINEERING RELEASE	RAF		5-4-99	M21630
B	(4A)NOTE 2 WAS MOUNTING TYPE: J	AGJ		5-13-02	41044



NOTE

- 1 ROTATION:

STANDARD: WHEN FACING SHAFT END OF MOTOR, SHAFT TO ROTATE; CLOCKWISE WHEN PORT "A" IS PRESSURIZED COUNTERCLOCKWISE WHEN PORT "B" IS PRESSURIZED

REVERSE: WHEN FACING SHAFT END OF MOTOR, SHAFT TO ROTATE; CLOCKWISE WHEN PORT "B" IS PRESSURIZED COUNTERCLOCKWISE WHEN PORT "A" IS PRESSURIZED
- 2 MOUNTING TYPE: AJ

STANDARD (MAGNETO), 4 BOLT: Ø 82.6 [3.25] PILOT Ø 13.59 [.535] HOLES ON Ø 106.4 [4.19] BOLT CIRCLE 2.79 [.110] PILOT LENGTH

UNLESS OTHERWISE SPECIFIED ALL DIMENSIONS ARE IN		DRAWING BASED ON ANSI Y14.5M-1982	
INCHES <input type="checkbox"/>	MILLIMETERS <input checked="" type="checkbox"/>	THE REPRODUCTION, DISTRIBUTION, AND UTILIZATION OF THIS DOCUMENT, AS WELL AS THE COMBINATION OF ITS CONTENTS TO OTHERS WITHOUT EXPLICIT AUTHORIZATION IS PROHIBITED. OFFENDERS WILL BE HELD LIABLE FOR THE PAYMENT OF DAMAGES. ALL RIGHTS RESERVED IN THE EVENT OF THE GRANT OF A PATENT, UTILITY MODEL, OR DESIGN (PER ISO 1019)	
TOLERANCES		DRAWN BY/DATE RAF 5-10-99 MATERIAL/HEAT TREAT	
.X	----	CHECKED BY/DATE AGJ 5-10-99	TITLE
.XX	----	ENGRG BY/DATE TRF 5-10-99	2000 SERIES MOTOR INSTALL
.XXX	----	METALLURGY BY/DATE	NUMBER
<	----	THIRD ANGLE PROJECTION	A-671-017
UNSPECIFIED RADII ARE	----	DO NOT SCALE	SCALE 1/1 SHEET 1 OF 1
UNSPECIFIED DRAFT ANGLES ARE	----	ARITHMETICAL AVERAGE	
DRAWING FORMAT CADD <input checked="" type="checkbox"/> MANUAL <input type="checkbox"/>			

G K S