

8 7 6 5 4 3 2 1

MOUNTING TYPE AB,AM,AP,AR,AV,BB,BF,BG,BH

DISP	C	D	E MAX
049	98.3-99.9 [3.87-3.93]	122.2-123.8 [4.81-4.87]	145.4 [5.72]
055	100.6-102.2 [3.96-4.02]	124.5-126.1 [4.90-4.96]	147.7 [5.81]
062	103.0-104.5 [4.05-4.11]	126.9-128.4 [4.99-5.06]	150.1 [5.91]
080	109.4-110.9 [4.31-4.37]	133.3-134.8 [5.25-5.31]	156.5 [6.16]
096	109.4-110.9 [4.31-4.37]	133.3-134.8 [5.25-5.31]	156.5 [6.16]
119	116.1-117.7 [4.57-4.63]	140.0-141.6 [5.51-5.57]	163.2 [6.42]
149	125.2-126.7 [4.93-4.99]	149.1-150.6 [5.87-5.93]	172.2 [6.78]
187	136.5-138.1 [5.38-5.44]	160.4-162.0 [6.32-6.38]	183.6 [7.23]
240	152.5-154.0 [6.00-6.06]	176.4-177.9 [6.94-7.00]	199.6 [7.86]
298	169.9-171.4 [6.69-6.75]	193.8-195.3 [7.63-7.69]	216.9 [8.54]

MOUNTING TYPE AD,AE,BJ

DISP	C	D	E MAX
049	80.0-82.3 [3.15-3.24]	103.9-106.2 [4.09-4.18]	127.8 [5.03]
055	82.3-84.7 [3.24-3.33]	106.2-108.6 [4.18-4.27]	130.1 [5.12]
062	84.7-87.0 [3.33-3.42]	108.6-110.9 [4.27-4.37]	132.5 [5.22]
080	91.1-93.4 [3.59-3.68]	115.0-117.3 [4.53-4.62]	138.9 [5.47]
096	91.1-93.4 [3.59-3.68]	115.0-117.3 [4.53-4.62]	138.9 [5.47]
119	97.8-100.1 [3.85-3.94]	121.7-124.0 [4.79-4.88]	145.6 [5.73]
149	106.9-109.2 [4.21-4.30]	130.8-133.1 [5.15-5.24]	154.7 [6.09]
187	118.2-120.6 [4.66-4.75]	142.1-144.5 [5.60-5.69]	166.1 [6.54]
240	134.2-136.5 [5.28-5.37]	158.1-160.4 [6.22-6.31]	182.0 [7.17]
298	151.6-153.9 [5.97-6.06]	175.5-177.8 [6.91-7.00]	199.4 [7.85]

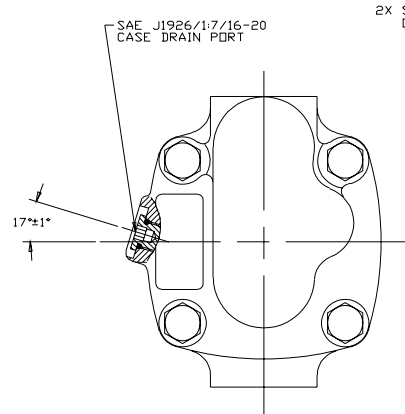
MOUNTING TYPE AC,AF,AH,AN,AS,AU,AV,AY,BA,BD,BE

DISP	C	D	E MAX
049	138.4-140.0 [5.45-5.51]	162.3-163.9 [6.39-6.45]	185.5 [7.30]
055	140.7-142.3 [5.54-5.60]	164.7-166.2 [6.48-6.54]	187.8 [7.39]
062	143.1-144.6 [5.63-5.69]	167.0-168.5 [6.57-6.64]	190.1 [7.49]
080	149.5-151.1 [5.89-5.95]	173.4-175.0 [6.83-6.89]	196.6 [7.74]
096	149.5-151.1 [5.89-5.95]	173.4-175.0 [6.83-6.89]	196.6 [7.74]
119	156.2-157.8 [6.15-6.21]	180.1-181.7 [7.09-7.15]	203.3 [8.00]
149	165.3-166.8 [6.51-6.57]	189.2-190.7 [7.45-7.51]	212.3 [8.36]
187	176.7-178.2 [6.96-7.02]	200.6-202.1 [7.90-7.96]	223.7 [8.81]
240	192.6-194.1 [7.58-7.64]	216.5-218.1 [8.52-8.58]	239.6 [9.44]
298	210.0-211.5 [8.27-8.33]	233.9-235.5 [9.21-9.27]	257.0 [10.12]

MOUNTING TYPE AJ,BC

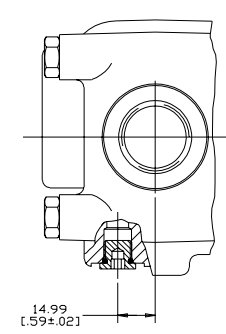
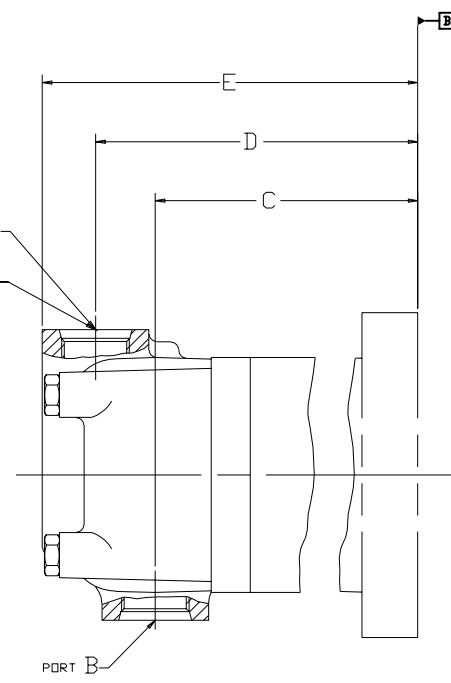
DISP	C	D	E MAX
049	142.0-144.1 [5.59-5.67]	165.9-168.0 [6.53-6.61]	189.6 [7.46]
055	144.3-146.4 [5.68-5.76]	168.2-170.3 [6.62-6.70]	191.9 [7.55]
062	146.6-148.7 [5.77-5.85]	170.5-172.6 [6.71-6.80]	194.2 [7.65]
080	153.1-155.1 [6.03-6.11]	177.0-179.0 [6.97-7.05]	200.6 [7.90]
096	153.1-155.1 [6.03-6.11]	177.0-179.0 [6.97-7.05]	200.6 [7.90]
119	159.8-161.9 [6.29-6.37]	183.7-185.8 [7.23-7.31]	207.4 [8.16]
149	168.8-170.9 [6.65-6.73]	192.7-194.8 [7.59-7.67]	216.4 [8.52]
187	180.2-182.3 [7.10-7.18]	204.1-206.2 [8.04-8.12]	227.8 [8.97]
240	196.1-198.2 [7.72-7.80]	220.0-222.1 [8.66-8.74]	243.7 [9.60]
298	213.5-215.6 [8.41-8.49]	237.4-239.5 [9.35-9.43]	261.1 [10.28]

SYM	REVISION	BY	DATE	ECN
A	ENGINEERING RELEASE	AGJ	5-26-93	22833
B	-1)REVISED MOUNTING TAB CODES -2)NOTE 1 WAS PORT OPTION: H ->ADDED NOTE 2	AGJ	5-13-08	41044
C	REVISED TABULATION BLOCKS	AGJ	5-17-04	47918
D	REVISED DISPLACEMENT FOR TABULATION BLOCKS	RG	6-25-06	56090
E	REVISED AS PER STACK UP	SMT	08-22-13	M90230



2X SAE J1926/1:1 1/16-12 ORING PORT

PORT A



- NOTE
- 1 PORT OPTION: AF
 - 2 CASE FLOW OPTION: 01

REVIEWED FOR CLASSIFICATION PER ESP-042

UNLESS OTHERWISE SPECIFIED ALL DIMENSIONS ARE IN INCHES		DRAWING BASED ON ANSI Y14.5M-1994	
TOLERANCES		DATE: 2-22-93	
XX ± REF		BY: A. JOHNSON	
X ± ONLY		CHECKED: SDR 6-24-93	
UNSPECIFIED RADI ARE		TITLE: 2000 SERIES MOTOR PORT INSTALLATION	
UNSPECIFIED DRAFT ANGLES ARE		MATERIAL/HEAT TREAT	
THIRD ANGLE PROJECTION		METALLURGY	
DO NOT SCALE		MICROFINISH	
D SIZE		SCALE: 1/1	
		SHEET 1 OF 1	

NUMBER A-673-008