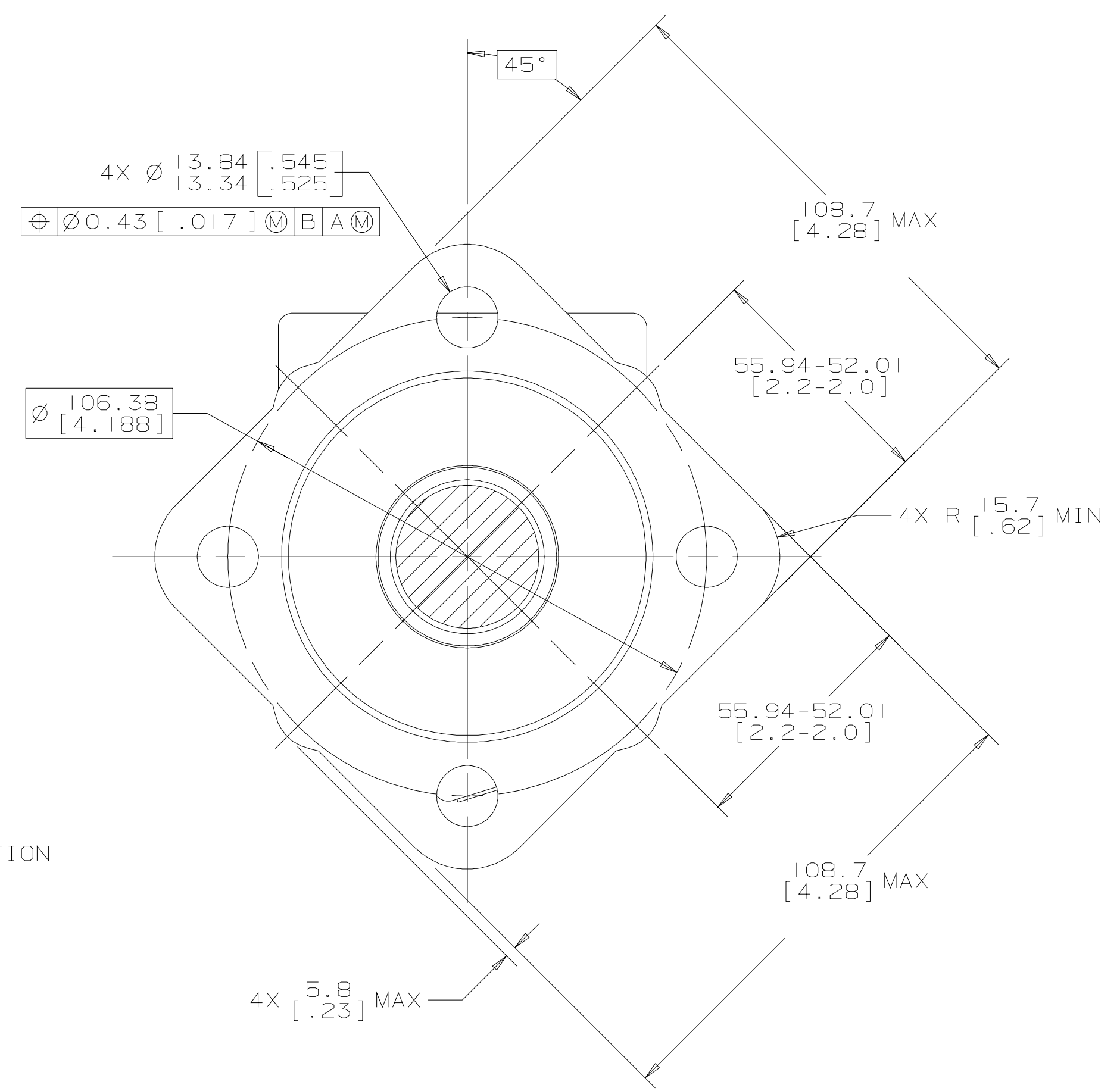
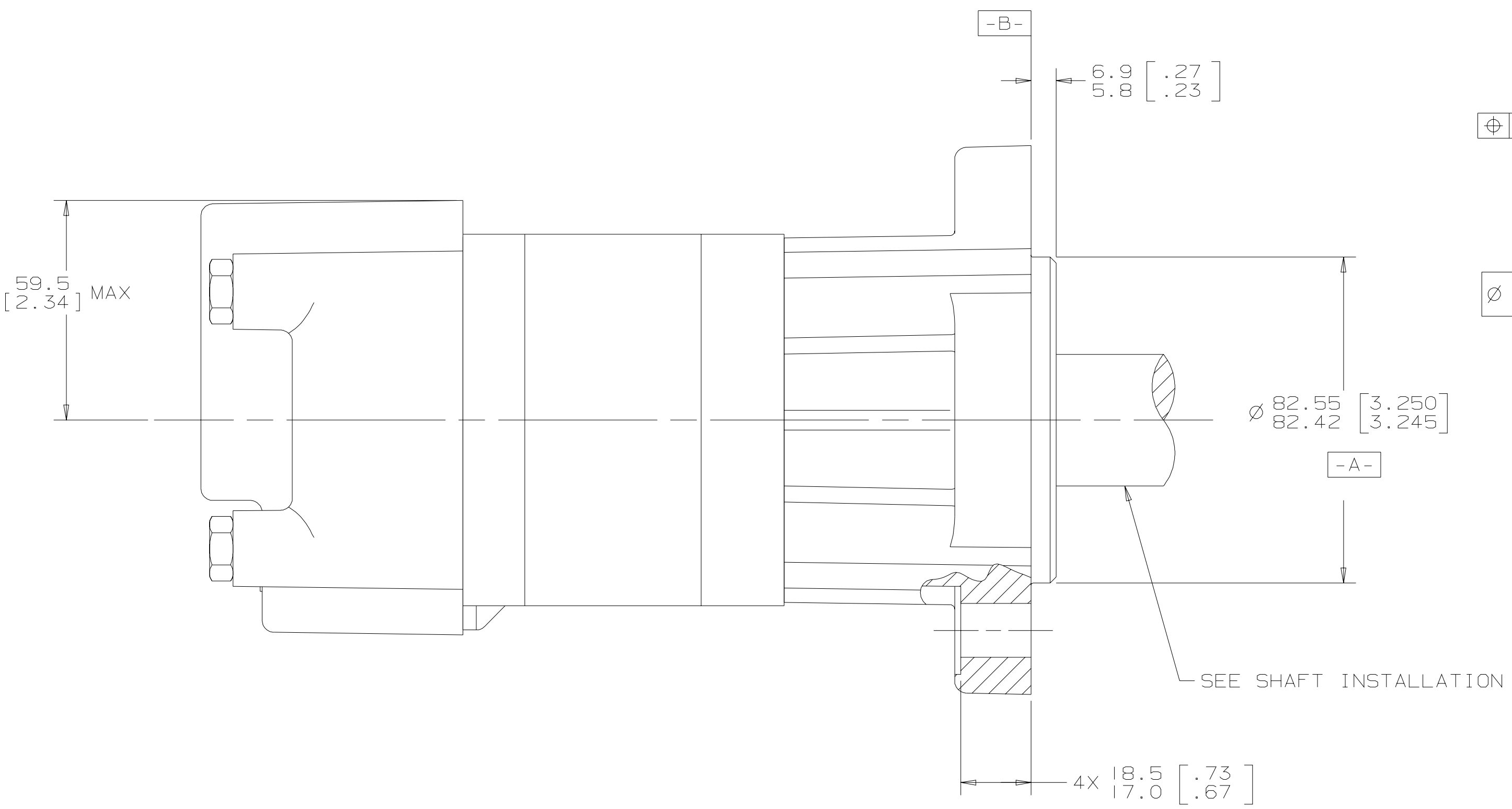
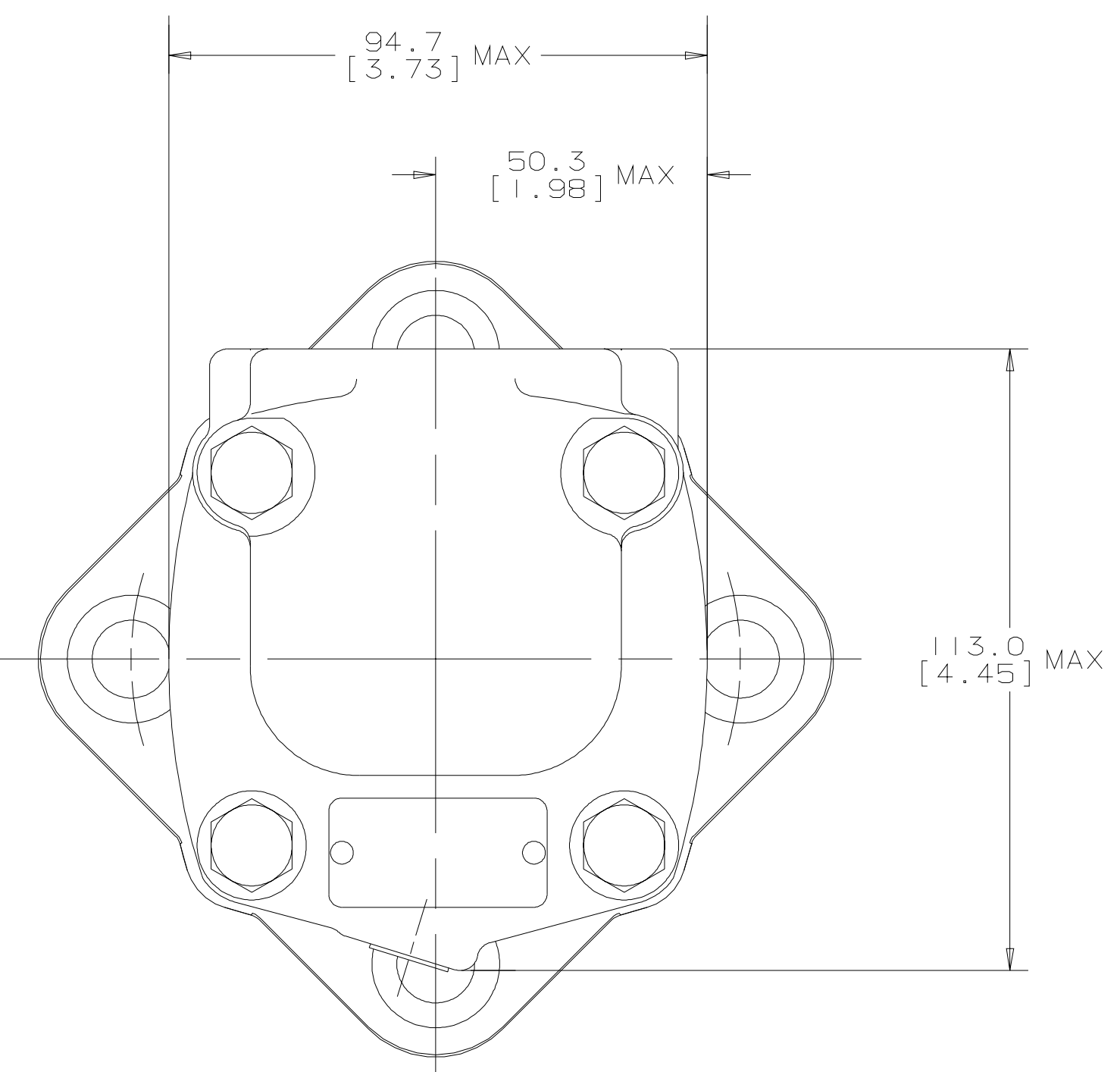
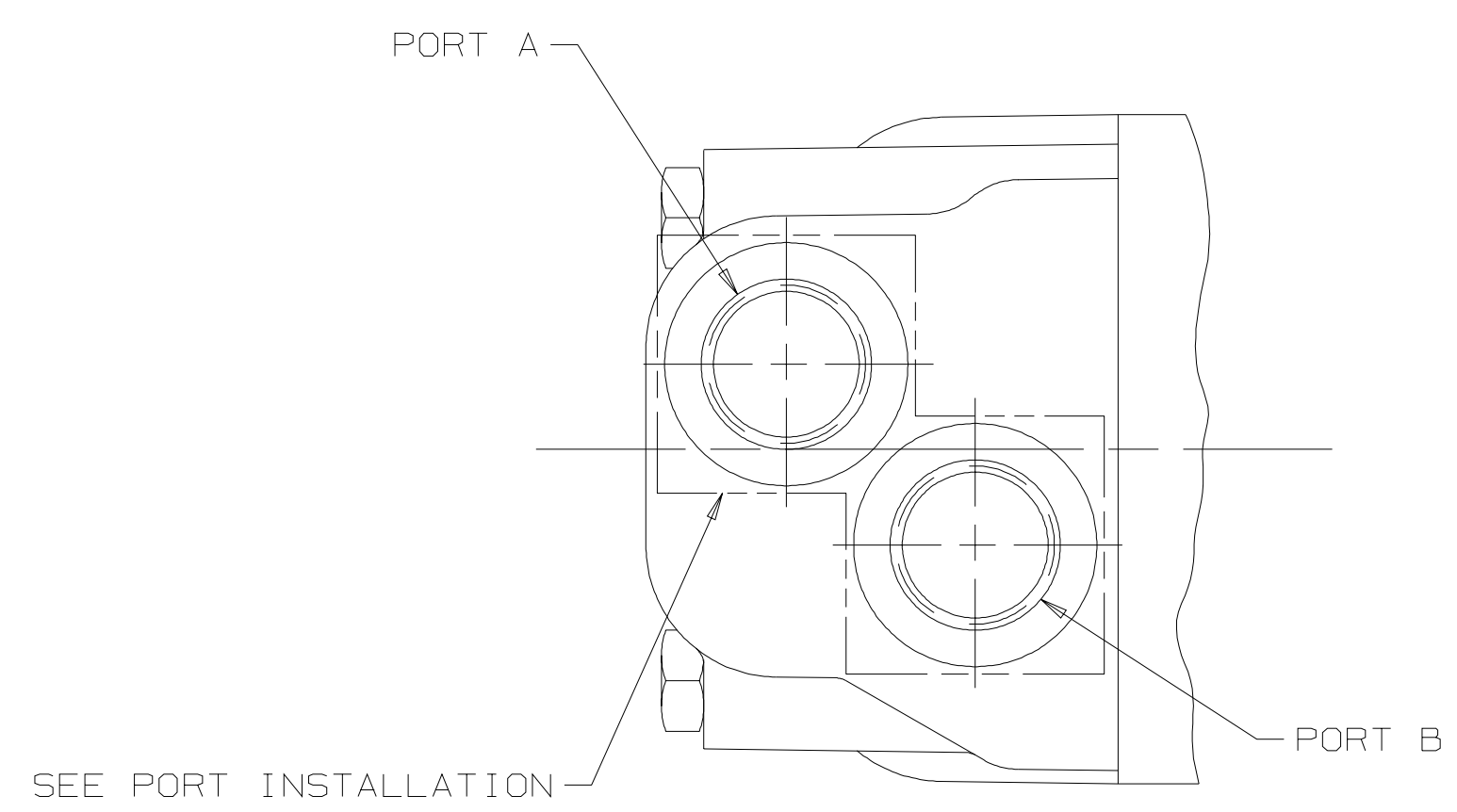


SYM	REVISION	BY	DATE	ECN
A	ENGINEERING RELEASE	RAF	4/14/93	23947
C	REVISED	MJZ	6-12-96	27921
D	(4A)NOTE 2 WAS MOUNTING TYPE: H	AGJ	5/13/02	41044
E	{3C}4X Ø 13.84/13.34 [.545/.525] WAS 4X Ø 13.72/13.46 [.540/.530]	AGJ	9-30-03	45504
F	REVISED	PRK	8/5/09	18334



NOTE

1 ROTATION:  
STANDARD: WHEN FACING SHAFT END OF MOTOR, SHAFT TO ROTATE;  
CLOCKWISE WHEN PORT "A" IS PRESSURIZED  
COUNTERCLOCKWISE WHEN PORT "B" IS PRESSURIZED  
REVERSE: WHEN FACING SHAFT END OF MOTOR, SHAFT TO ROTATE;  
CLOCKWISE WHEN PORT "B" IS PRESSURIZED  
COUNTERCLOCKWISE WHEN PORT "A" IS PRESSURIZED

2 MOUNTING TYPE: AH  
STANDARD, 4 BOLT: Ø 82.6 [3.25] PILOT  
Ø 13.59 [.535] HOLES ON Ø 106.4 [4.19] BOLT CIRCLE

UNLESS OTHERWISE SPECIFIED ALL DIMENSIONS ARE IN		DRAWING BASED ON ANSI Y14.5M-1982	
INCHES <input type="checkbox"/>	MILLIMETERS <input checked="" type="checkbox"/>	EATON CORPORATION - CONFIDENTIAL AND PROPRIETARY NOTICE TO PERSONS RECEIVING THIS DRAWING AND / OR TECHNICAL INFORMATION	
TOLERANCES		THIS DOCUMENT, INCLUDING THE DRAWING AND INFORMATION CONTAINED THEREON, IS CONFIDENTIAL AND IS THE EXCLUSIVE PROPERTY OF EATON CORPORATION AND IS HEREBY SO Labeled AND SUBJECT TO SOCIAL BY EATON AT ANY TIME. BY TAKING POSSESSION OF THIS DOCUMENT, THE RECIPIENT ACKNOWLEDGES AND AGREES THAT THIS DOCUMENT IS TO BE KEPT IN CONFIDENTIALITY AND IS NOT TO BE REPRODUCED, COPIED, OR TRANSMITTED IN ANY MANNER WITHOUT THE WRITTEN CONSENT OF EATON. IN THE CASE OF CONFLICTING CONSTRUCTION PROVISIONS, THIS NOTICE SHALL GOVERN THE TERMS OF THIS DOCUMENT. COPYRIGHT 2002 EATON CORPORATION - ALL RIGHTS RESERVED.	
.xx ± REF	DRAIN BY/DATE RAF 4/15/93	MATERIAL/HEAT TREAT	
.xxx ± ONLY	CHECKED BY/DATE K. RANDOLPH 4-22-93	ENGINEER BY/DATE M. BERNSTROM 4-22-93	
UNSPECIFIED RADI ARE	METALLURGY BY/DATE		TITLE 2000 SERIES MOTOR INSTALL
UNSPECIFIED DRAFT ANGLES ARE	THIRD ANGLE PROJECTION		NUMBER A-669-001
DRAWING FORMAT CAD <input checked="" type="checkbox"/> MANUAL <input type="checkbox"/>	DO NOT SCALE		SCALE 1/1 SHEET 1 OF 1

G S K