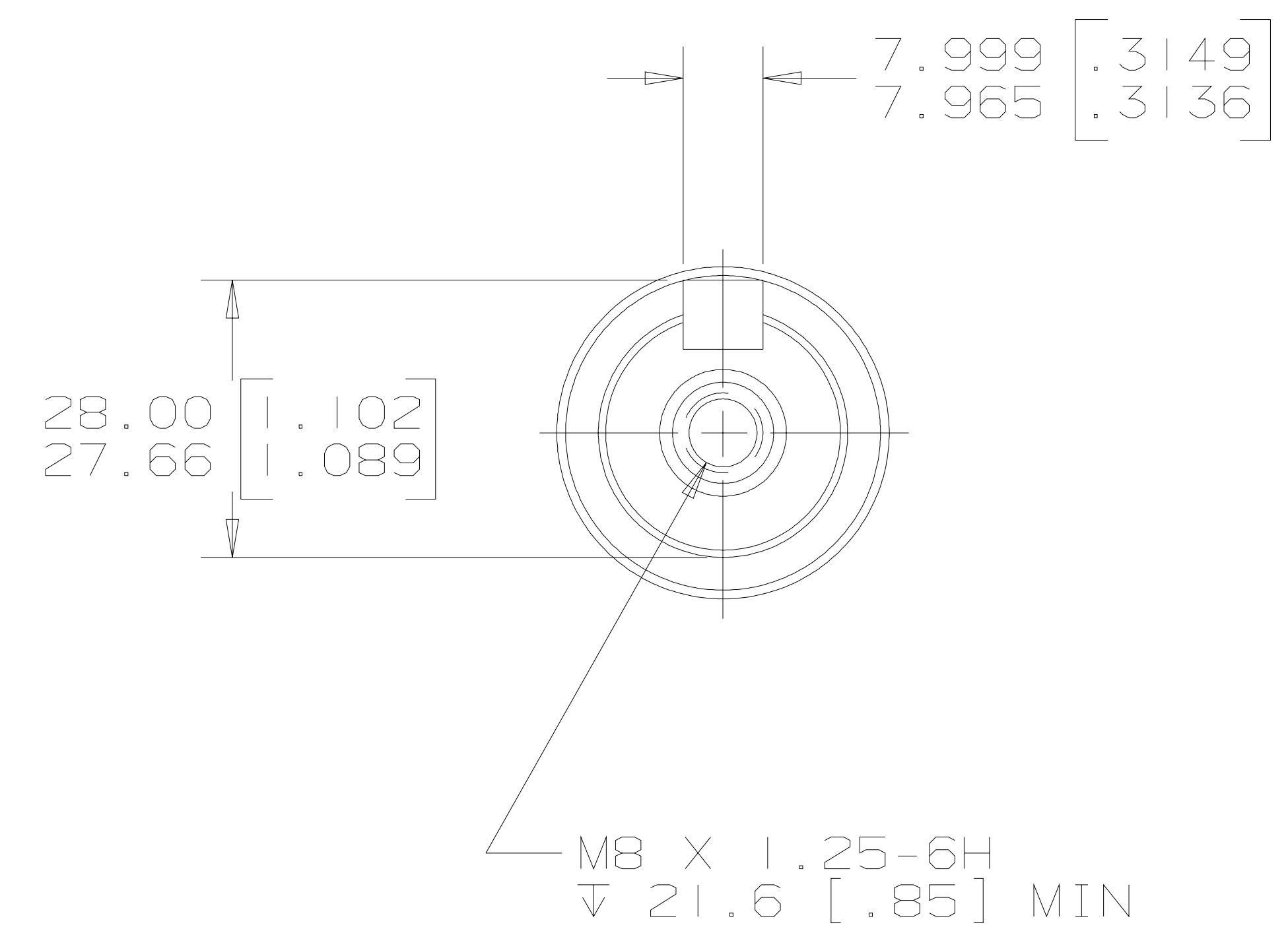
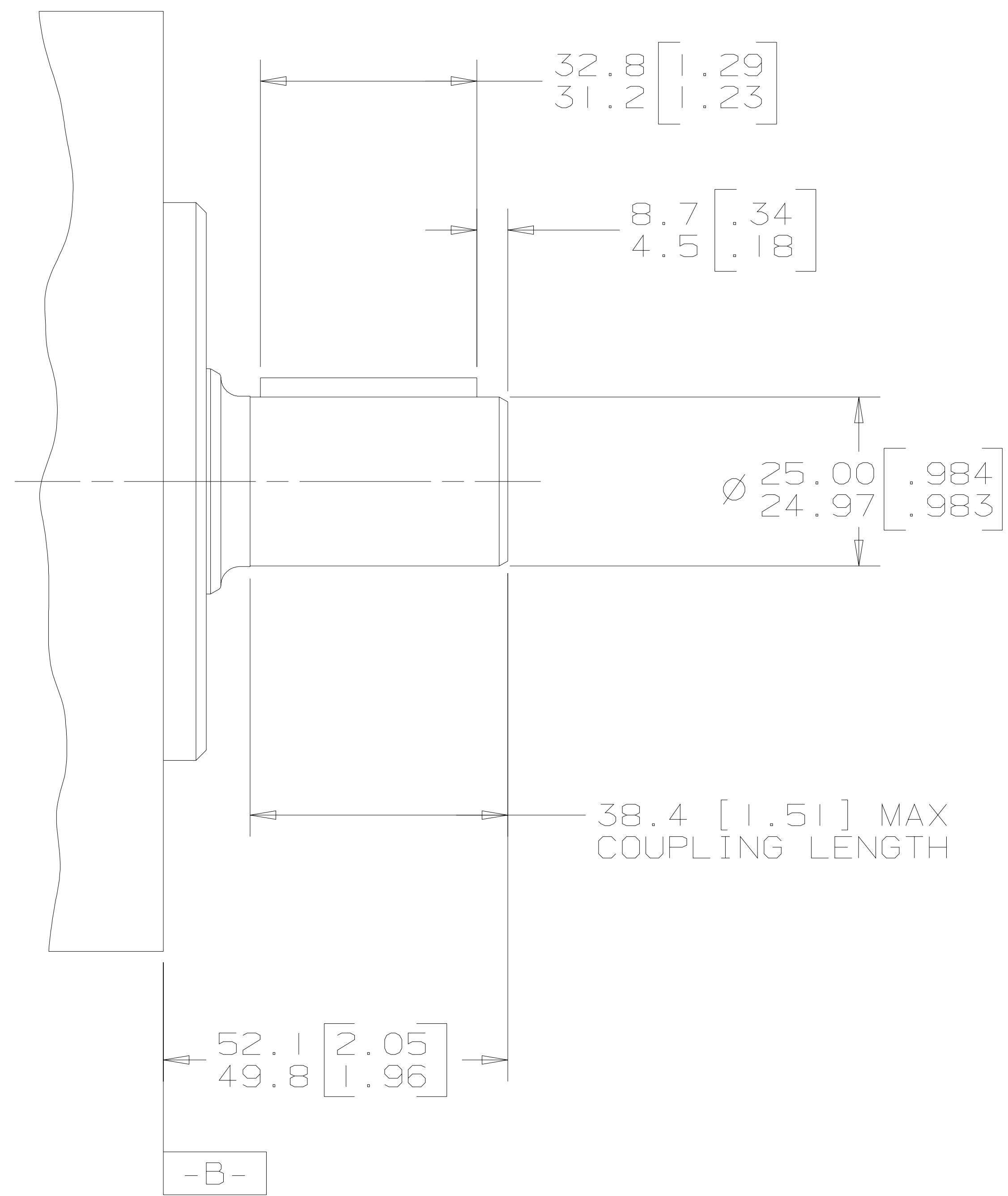


REV	DESCRIPTION	BY	CHK	DATE	ECN
A	ENGINEERING RELEASE	CMR		10-21-98	M20683
B	NOTE 1 WAS MOUNTING TYPE: OPTION H	AGJ		5-13-02	41044
C	ADDED SHAFT OPTION 95 TO NOTE 2	AGJ		11-05-03	M60296
D	NOTE 2 WAS OUTPUT SHAFT: OPTION 26 & 95	PM		4-4-06	54522



G K S

NOTE  
 1 MOUNTING TYPE: OPTION AH  
 2 OUTPUT SHAFT: OPTION 19 & 43

UNLESS OTHERWISE SPECIFIED ALL DIMENSIONS ARE IN INCHES <input type="checkbox"/> MILLIMETERS [INCHES] <input checked="" type="checkbox"/>	DRAWING BASED ON ANSI Y14.5M-1982	
	THE REPRODUCTION, DISTRIBUTION, AND UTILIZATION OF THIS DOCUMENT, AS WELL AS THE COMMUNICATION OF ITS CONTENTS TO OTHERS WITHOUT EXPLICIT AUTHORIZATION IS PROHIBITED. OFFENDERS WILL BE HELD LIABLE FOR THE PAYMENT OF DAMAGES. ALL RIGHTS RESERVED IN THE EVENT OF THE GRANT OF A PATENT, UTILITY MODEL, OR DESIGN. (PER ISO 16016)	
TOLERANCES .X ± ---- .XX ± ---- .XXX ± ---- < ± ----	DRAWN BY/DATE CMR 10-23-98 CHECKED BY/DATE GCB 10-30-98 ENGRG BY/DATE TRF 10-30-98 METALLURGY BY/DATE ----	MATERIAL/HEAT TREAT  TITLE 2000 SERIES MOTOR SHAFT INSTALLATION
UNSPECIFIED RADII ARE ----	THIRD ANGLE PROJECTION 	MICROINCHES <input type="checkbox"/> MICROMETERS [MICROINCHES] <input type="checkbox"/> ARITHMETICAL AVERAGE <input checked="" type="checkbox"/>
UNSPECIFIED DRAFT ANGLES ARE ----	DO NOT SCALE	NUMBER A-687-026 SCALE 1/1 SHEET 1 OF 1
DRAWING FORMAT CADD <input checked="" type="checkbox"/> MANUAL <input type="checkbox"/>		