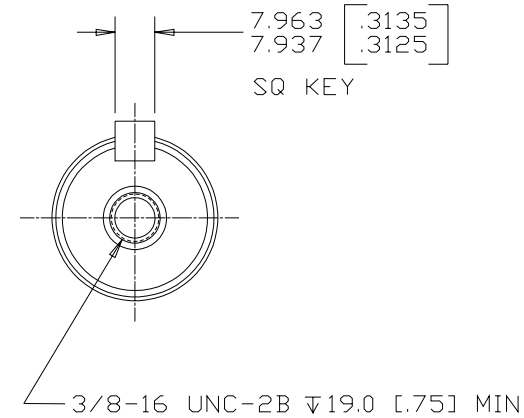
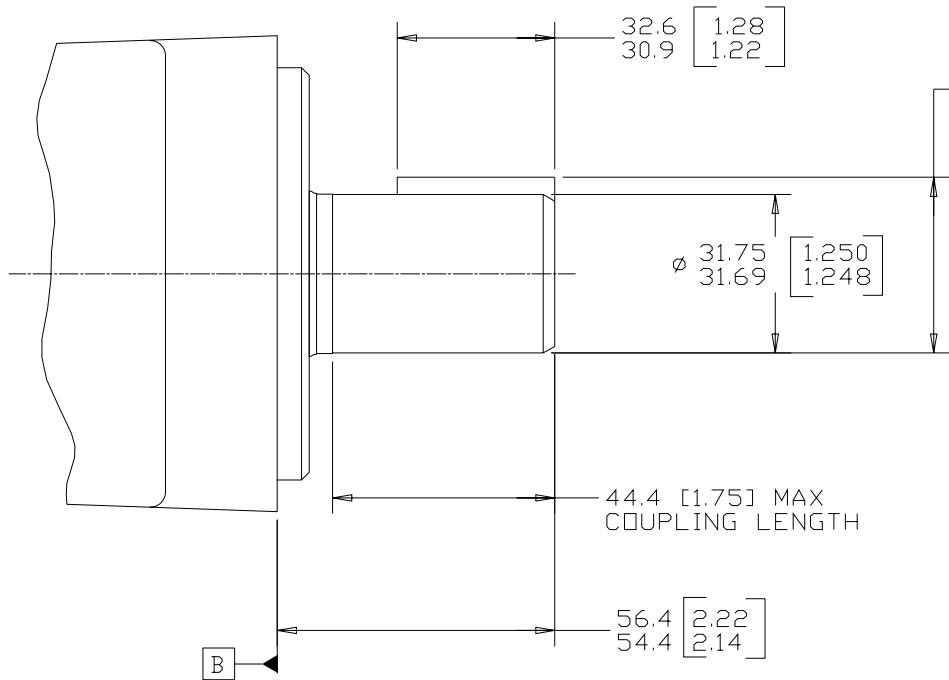


REV	DESCRIPTION	BY	DATE	ECN
A	ENGINEERING RELEASE	AGJ	4-7-93	M8051
B	REVISED	AGJ	5-28-93	22833
C	-1) MOVED DATUM B -2) 56.6/54.4 [2.23/2.14] WAS 50.3/48.0 [1.98/1.89]	JMM	9-7-94	25945
D	NOTE 1 WAS MOUNTING TYPE: OPTION C	AGJ	5-13-02	41044
E	56.4/54.4 [2.22/2.14] WAS 56.6/54.4 [2.23/2.14]	AGJ	5-17-04	47918
F	NOTE 2 WAS OUTPUT SHAFT: OPTION 02 & 24	PM	4-4-06	54522
G	-1) UPDATED TO ASME Y14.5-2009 STANDARD -2) MAX COUPLING LENGTH WAS 47.3 [1.86]	NRI	05-12-14	M92814



CS REVIEWED FOR CLASSIFICATION PER ESP -042

NOTE

- 1 MOUNTING TYPE: OPTION AC, BA & BE
- 2 OUTPUT SHAFT: OPTION 02 & 17

UNLESS OTHERWISE SPECIFIED ALL DIMENSIONS ARE IN INCHES <input type="checkbox"/> MILLIMETERS <input checked="" type="checkbox"/>		DRAWING BASED ON ASME Y14.5-2009	
TOLERANCES X ± ---- XX ± REF XXX ± ONLY ∠ ± ----		EATON CORPORATION - CONFIDENTIAL AND PROPRIETARY NOTICE TO PERSONS RECEIVING THIS DRAWING AND / OR TECHNICAL INFORMATION THIS DOCUMENT, INCLUDING THE DRAWING AND INFORMATION CONTAINED THEREON, IS CONFIDENTIAL AND IS THE EXCLUSIVE PROPERTY OF EATON CORPORATION, AND IS MERELY ON LOAN AND SUBJECT TO RECALL BY EATON AT ANY TIME. BY TAKING POSSESSION OF THIS DOCUMENT, THE RECIPIENT ACKNOWLEDGES AND AGREES THAT THIS DOCUMENT CANNOT BE USED IN ANY MANNER ADVERSE TO THE INTERESTS OF EATON, AND THAT NO PORTION OF THIS DOCUMENT MAY BE COPIED OR OTHERWISE REPRODUCED WITHOUT THE PRIOR WRITTEN CONSENT OF EATON. IN THE CASE OF CONFLICTING CONTRACTUAL PROVISIONS, THIS NOTICE SHALL GOVERN THE STATUS OF THIS DOCUMENT. COPYRIGHT 2008 EATON CORPORATION - ALL RIGHTS RESERVED.	
UNSPECIFIED RADII ARE ----		DRAWN BY/DATE A. JOHNSON 3-16-93	MATERIAL/HEAT TREAT
UNSPECIFIED DRAFT ANGLES ARE ----		CHECKED BY/DATE S. RICHARDS 4-8-93	TITLE 2000 SERIES MOTOR SHAFT INSTALLATION
B SIZE		ENGRG BY/DATE M. BERNSTROM 4-8-93	
THIRD ANGLE PROJECTION		METALLURGY BY/DATE ----	NUMBER A-683-002
DO NOT SCALE		ARITHMETICAL AVERAGE <input checked="" type="checkbox"/>	SCALE 1/1 SHEET 1 OF 1

