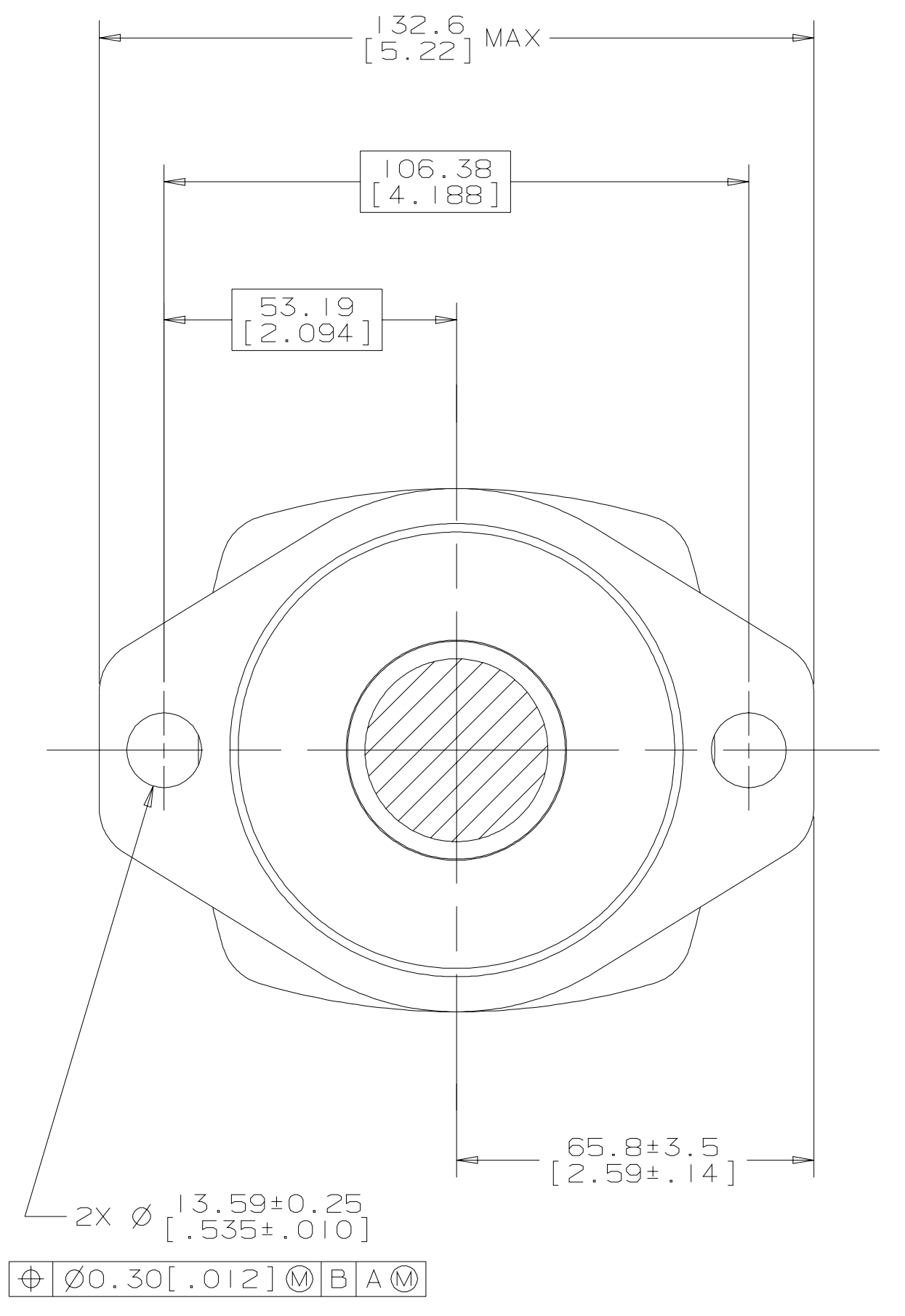
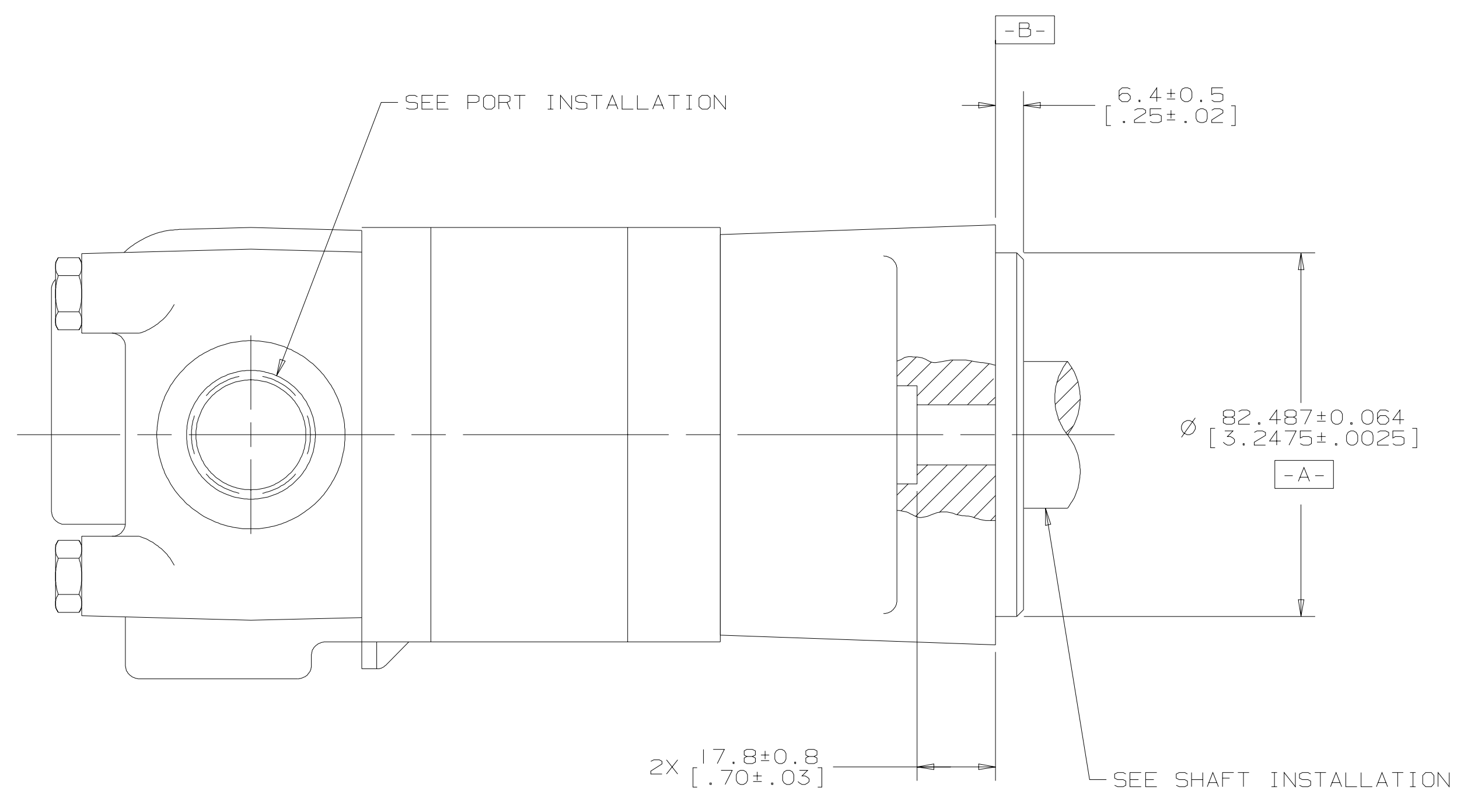
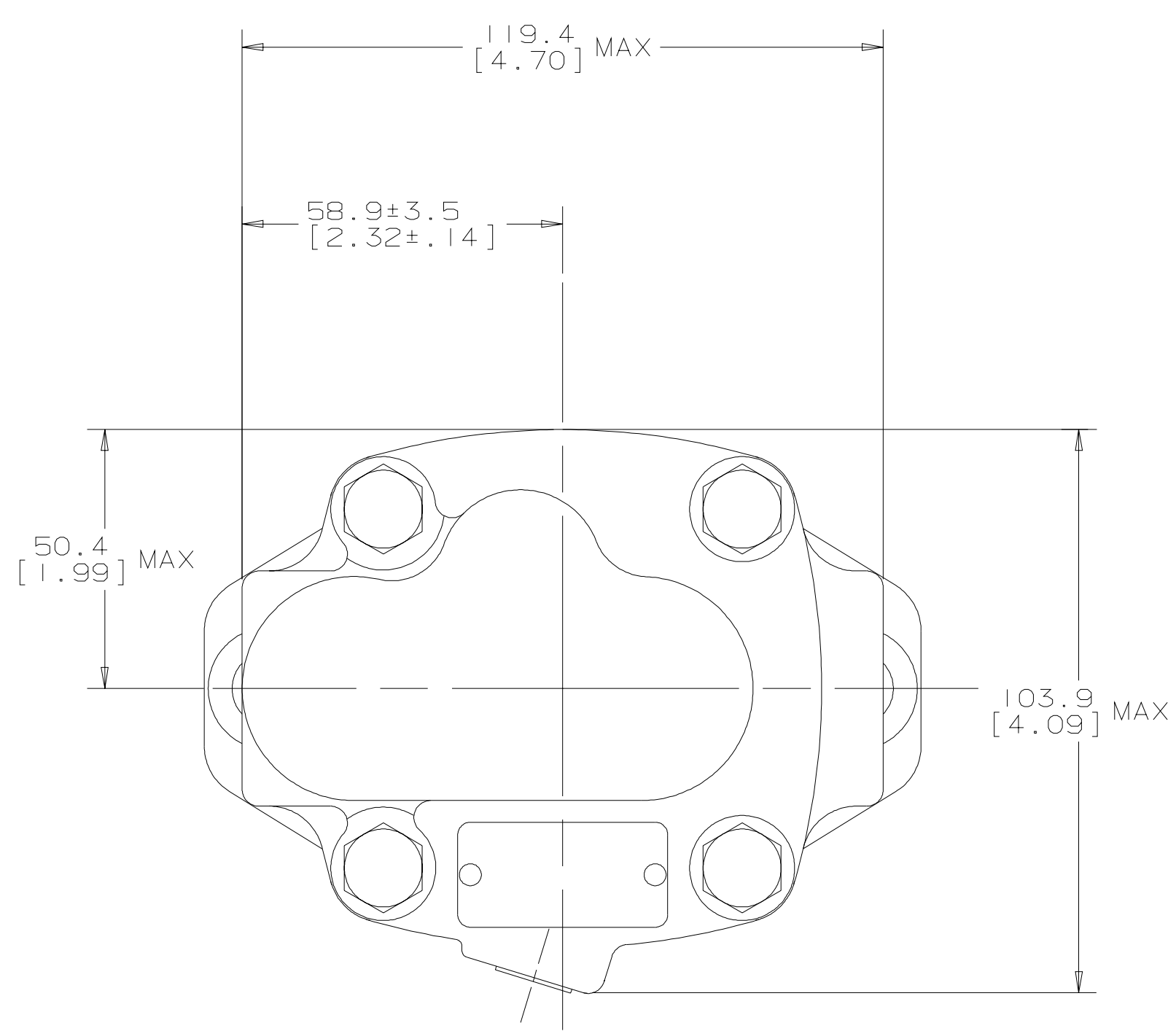
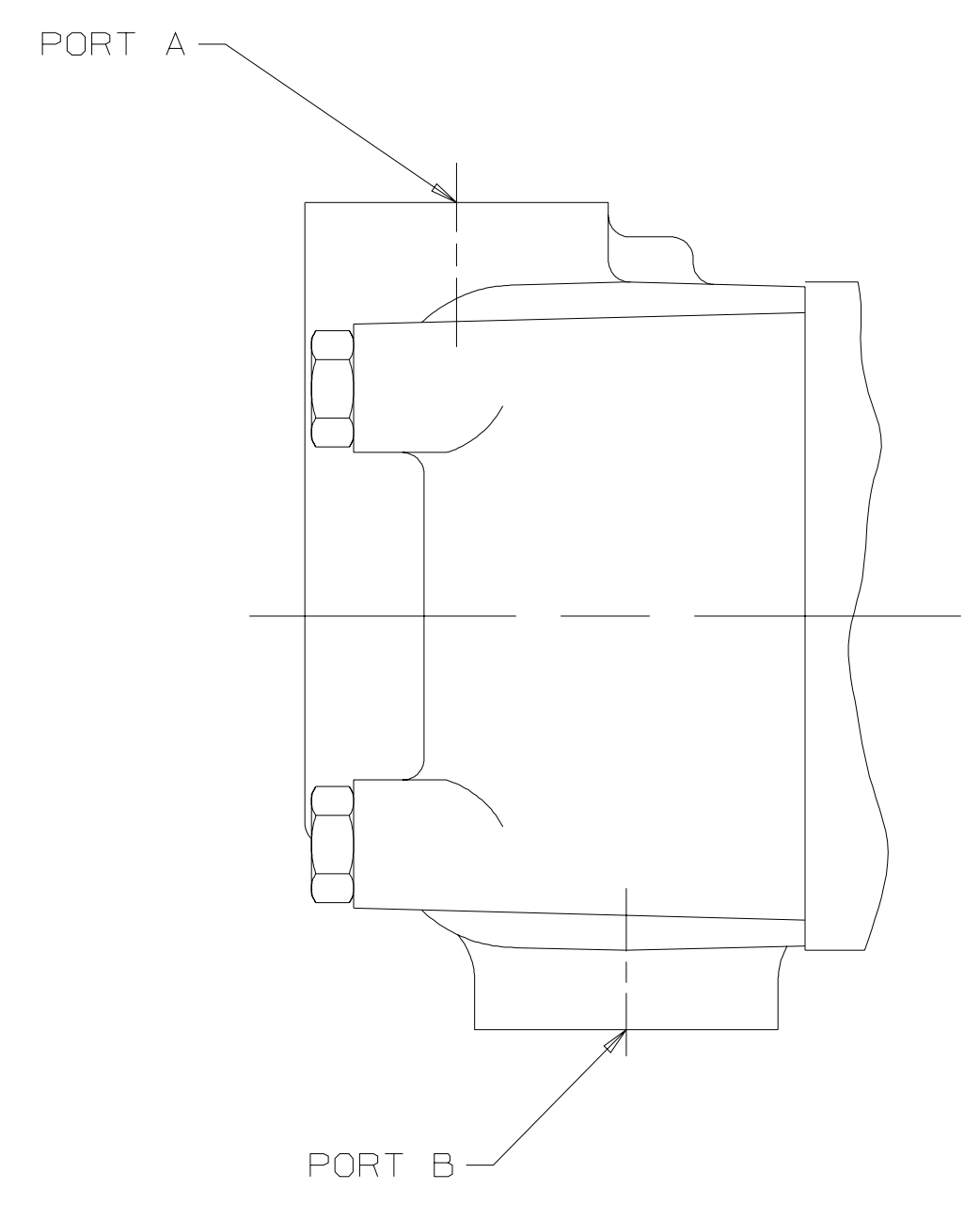


SYM	REVISION	BY	DATE	ECN
A	ENGINEERING RELEASE	AGJ	5-26-93	22833
B	(4A)NOTE 2 WAS MOUNTING TYPE: C	AGJ	5/13/02	41044
C	-1(7C)REMOVED 57.2[2.25]MAX -2(7C) 58.2±0.8 [2.29±.03] WAS 57.2[2.25] MAX -3(7C)ADDED 117.1 [4.61]MAX	AGJ	12-22-03	46075
D	REVISED	HRK	8/21/09	16454



NOTE

1 ROTATION:
 STANDARD: WHEN FACING SHAFT END OF MOTOR, SHAFT TO ROTATE;
 CLOCKWISE WHEN PORT "A" IS PRESSURIZED
 COUNTERCLOCKWISE WHEN PORT "B" IS PRESSURIZED

REVERSE: WHEN FACING SHAFT END OF MOTOR, SHAFT TO ROTATE;
 CLOCKWISE WHEN PORT "B" IS PRESSURIZED
 COUNTERCLOCKWISE WHEN PORT "A" IS PRESSURIZED

2 MOUNTING TYPE: AC
 STANDARD, 2 BOLT: Ø 82.6 [3.25] PILOT
 Ø 13.59 [.535] HOLES ON Ø 106.4 [4.19]
 BOLT CIRCLE "SAE A"

REVIEWED FOR CLASSIFICATION PER ESP-042

UNLESS OTHERWISE SPECIFIED ALL DIMENSIONS ARE IN INCHES [MILLIMETERS]

TOLERANCES

DRAIN BY/DATE: A. JOHNSON 3-18-93

CHECKED BY/DATE: SDR 6-24-93

ENGR BY/DATE: SJZ 6-28-93

UNSPECIFIED RADI ARE

UNSPECIFIED DRAFT ANGLES ARE

DRAWING FORMAT: CAD [MANUAL]

DRAWING BASED ON ANSI Y14.5M-1982

EATON CORPORATION - CONFIDENTIAL AND PROPRIETARY NOTICE TO PERSONS RECEIVING THIS DRAWING AND/OR TECHNICAL INFORMATION

THIS DOCUMENT, INCLUDING THE DRAWING AND INFORMATION CONTAINED THEREON, IS CONFIDENTIAL AND IS THE PROPERTY OF EATON CORPORATION, AND IS MADE UPON AND SUBJECT TO SEAL BY EATON CORPORATION. NO PART OF THIS DOCUMENT IS TO BE REPRODUCED, COPIED, OR DISSEMINATED IN ANY MANNER WITHOUT THE WRITTEN CONSENT OF EATON, IN THE CASE OF CONFLICTING CONSTRUCTION PROVISIONS, THIS NOTICE SHALL GOVERN THE TERMS OF THIS DOCUMENT. © COPYRIGHT 2000 EATON CORPORATION - ALL RIGHTS RESERVED.

EATON

Powering Business Worldwide
 Eaton Hydraulics Inc.
 14615 Lone Oak Road
 Eden Prairie, MN 55544
 USA

MATERIAL/HEAT TREAT

TITLE: 2000 SERIES MOTOR INSTALL

NUMBER: A-665-002

SCALE: 1/1

SHEET 1 OF 1