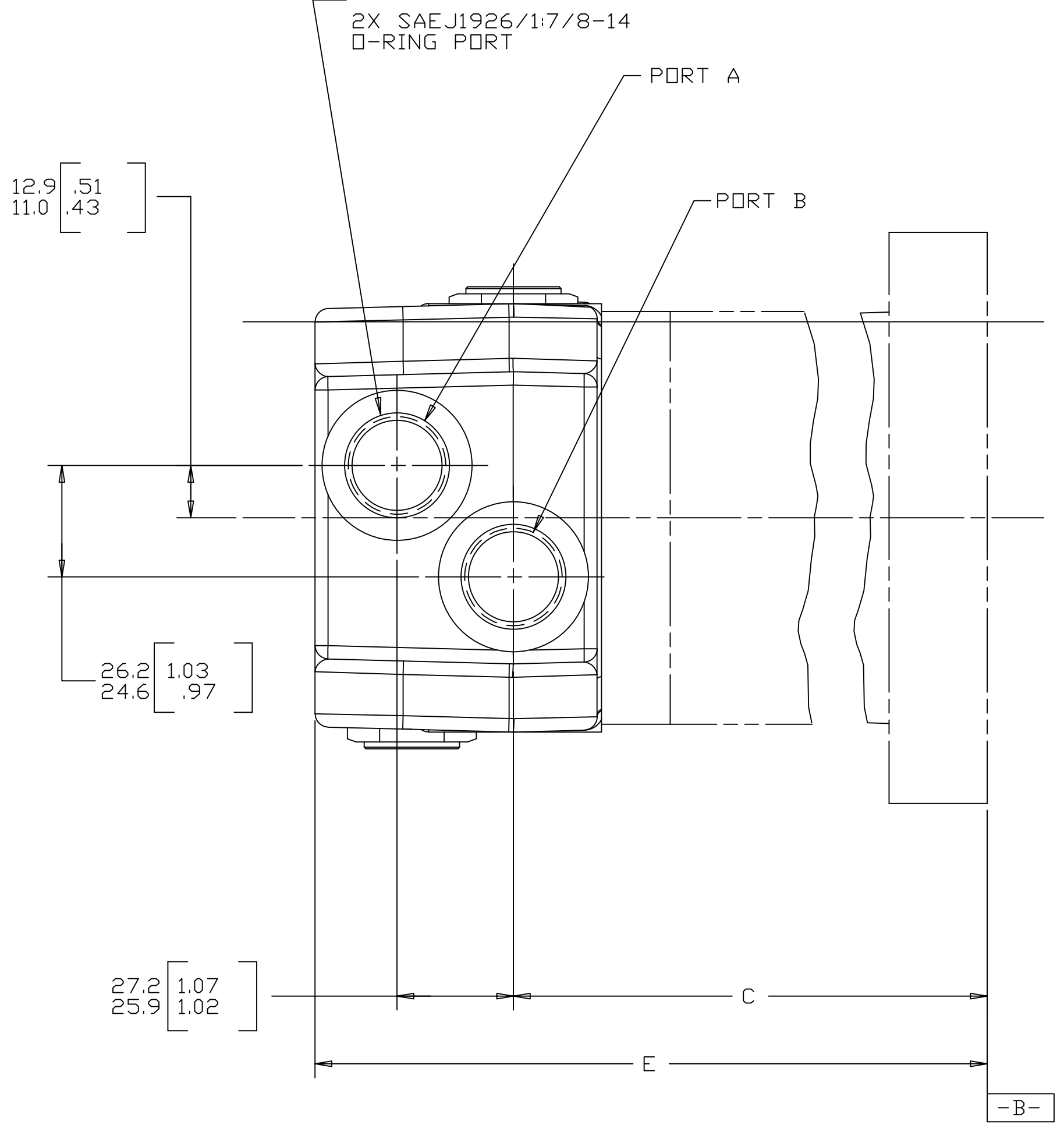
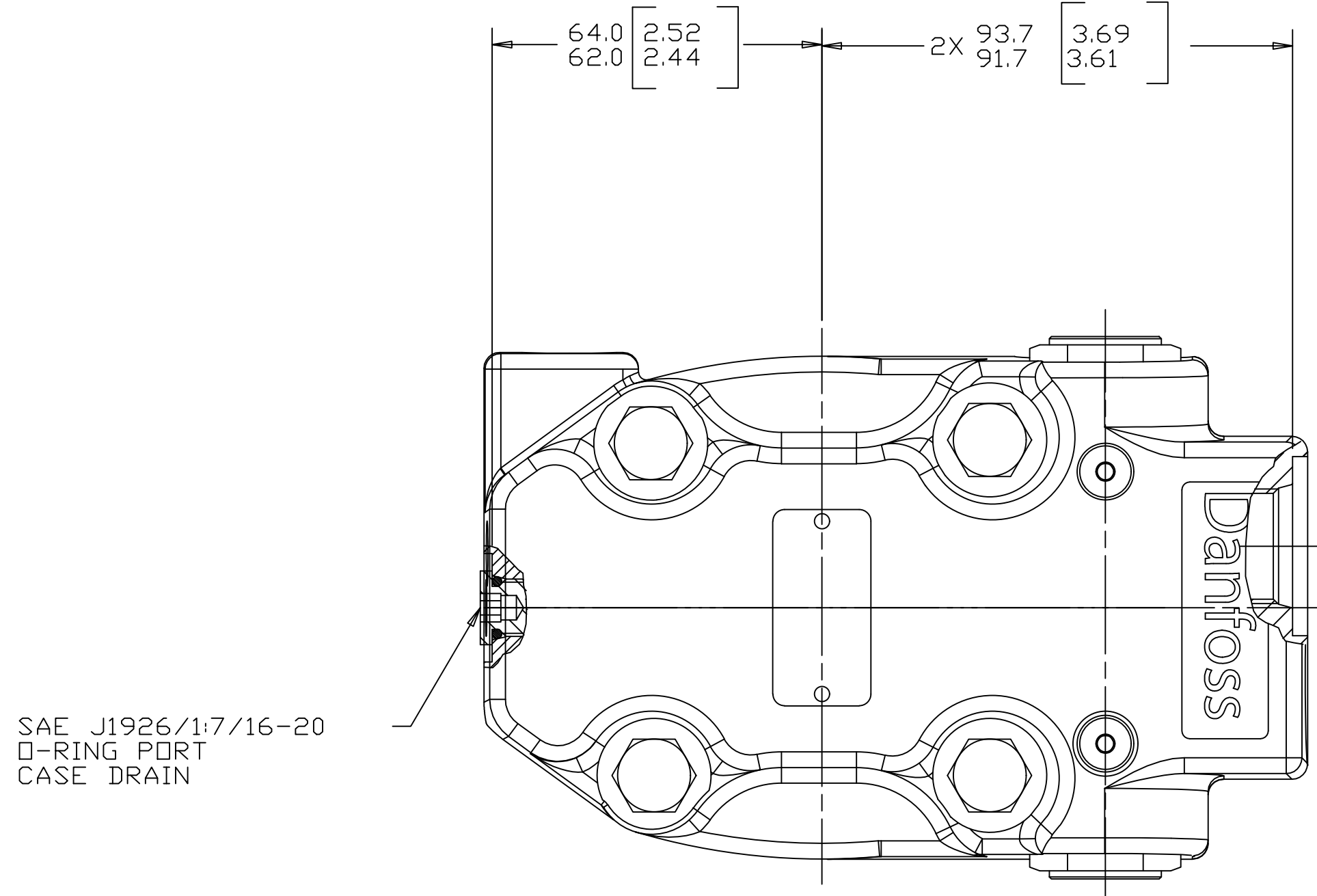
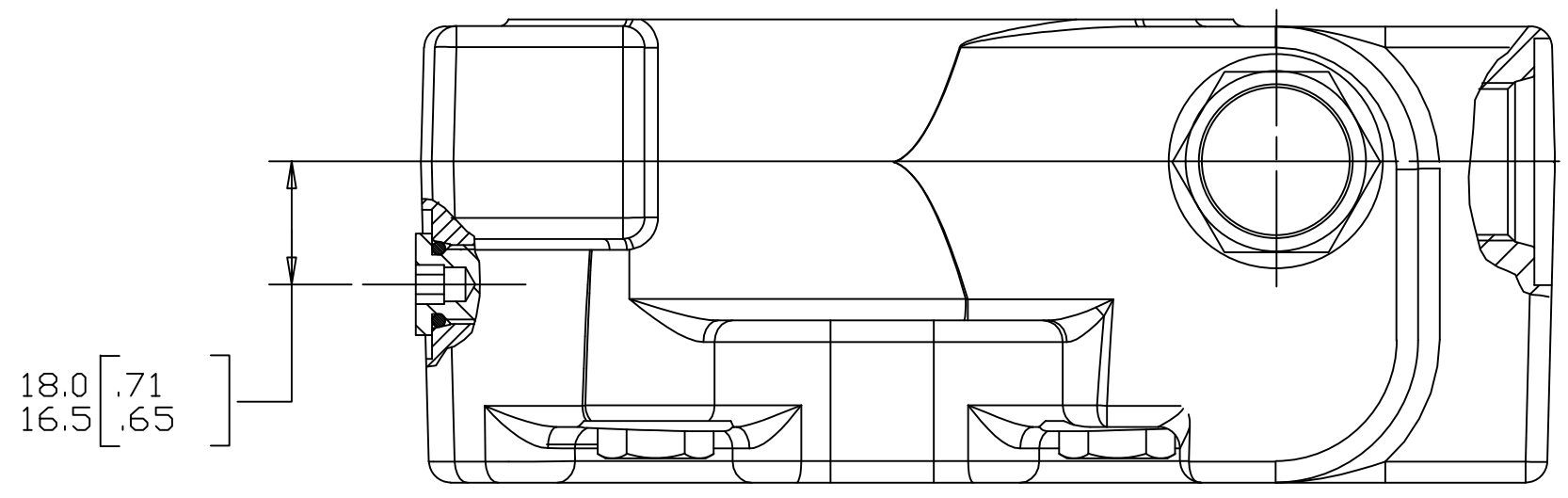


| 8 | | | 7 | | | 6 | | | 5 | | | 4 | | |
|-----------------------------|----------------------------|-----------------|-----------------------------------|----------------------------|------------------|-----------------------|----------------------------|-----------------|------------------|----------------------------|------------------|-----------------------|----------------------------|------------------|
| MOUNTING TYPE AB,AM,AP & AR | | | MOUNTING TYPE AC,AG,AH,AU,AW & BD | | | MOUNTING TYPE AD & AE | | | MOUNTING TYPE AF | | | MOUNTING TYPE AJ & BC | | |
| DISP | C | E MAX | DISP | C | E MAX | DISP | C | E MAX | DISP | C | E MAX | DISP | C | E MAX |
| 049 | 96.0-97.5 (3.78-3.84) | 143.0 (5.63) | 049 | 136.1-137.7 (5.36-5.42) | 183.1 (7.21) | 049 | 77.7-80.0 (3.06-3.15) | 125.5 (4.94) | 049 | 136.4-137.4 (5.37-5.41) | 183.1 (7.21) | 049 | 139.7-141.7 (5.50-5.58) | 187.2 (7.37) |
| 055 | 98.3-99.8 (3.87-3.93) | 145.3 (5.72) | 055 | 138.5-140.0 (5.45-5.51) | 185.4 (7.30) | 055 | 80.0-82.3 (3.15-3.24) | 127.8 (5.03) | 055 | 138.7-139.7 (5.46-5.50) | 185.4 (7.30) | 055 | 142.0-144.0 (5.59-5.67) | 189.5 (7.46) |
| 062 | 100.8-102.1 (3.97-4.02) | 147.8 (5.82) | 062 | 141.0-142.2 (5.55-5.60) | 188.0 (7.40) | 062 | 82.6-84.6 (3.25-3.33) | 130.3 (5.13) | 062 | 141.0-142.2 (5.55-5.60) | 187.7 (7.39) | 062 | 144.5-146.3 (5.69-5.76) | 192.0 (7.56) |
| 080 | 107.2-108.5 (4.22-4.27) | 154.2 (6.07) | 080 | 147.3-148.6 (5.80-5.85) | 194.3 (7.65) | 080 | 88.9-90.9 (3.50-3.58) | 136.7 (5.38) | 080 | 147.3-148.6 (5.80-5.85) | 194.1 (7.64) | 080 | 150.9-152.7 (5.94-6.01) | 198.4 (7.81) |
| 096 | 107.2-108.5 (4.22-4.27) | 154.2 (6.07) | 096 | 147.3-148.6 (5.80-5.85) | 194.3 (7.65) | 096 | 88.9-90.9 (3.50-3.58) | 136.7 (5.38) | 096 | 147.3-148.6 (5.80-5.85) | 194.1 (7.64) | 096 | 150.9-152.7 (5.94-6.01) | 198.4 (7.81) |
| 119 | 114.0-115.3 (4.48-4.54) | 160.8 (6.33) | 119 | 154.2-155.4 (6.06-6.12) | 200.9 (7.91) | 119 | 95.8-97.8 (3.77-3.85) | 143.3 (5.64) | 119 | 154.2-155.2 (6.07-6.11) | 200.9 (7.91) | 119 | 157.7-159.5 (6.21-6.28) | 205.0 (8.07) |
| 149 | 122.9-124.5 (4.84-4.90) | 170.0 (6.69) | 149 | 163.1-164.6 (6.42-6.48) | 210.1 (8.27) | 149 | 104.6-106.9 (4.12-4.21) | 152.4 (6.00) | 149 | 163.3-164.3 (6.43-6.47) | 210.1 (8.27) | 149 | 166.6-168.7 (6.56-6.64) | 214.1 (8.43) |
| 187 | 134.4-135.6 (5.29-5.34) | 181.4 (7.14) | 187 | 174.5-175.8 (6.87-6.92) | 221.5 (8.72) | 187 | 116.1-118.1 (4.57-4.65) | 163.8 (6.45) | 187 | 174.5-175.8 (6.87-6.92) | 221.2 (8.71) | 187 | 178.1-179.8 (7.01-7.08) | 225.6 (8.88) |
| 240 | 150.4-151.6 (5.92-5.97) | 197.4 (7.77) | 240 | 190.5-191.8 (7.50-7.55) | 237.5 (9.35) | 240 | 132.1-134.1 (5.20-5.28) | 179.8 (7.08) | 240 | 190.5-191.8 (7.50-7.55) | 237.2 (9.34) | 240 | 194.1-195.8 (7.64-7.71) | 241.6 (9.51) |
| 298 | 167.6-169.2 (6.60-6.66) | 214.6 (8.45) | 298 | 207.8-209.3 (8.18-8.23) | 254.8 (10.03) | 298 | 149.4-151.6 (5.88-5.97) | 197.1 (7.76) | 298 | 208.0-209.0 (8.19-8.23) | 254.8 (10.03) | 298 | 211.3-213.4 (8.32-8.40) | 258.8 (10.19) |
| 040 | 92.9-94.4 (3.66-3.72) | 139.9 (5.50) | 040 | 133.1-134.6 (5.24-5.30) | 180.1 (7.09) | 040 | 74.9-76.4 (2.95-3.01) | 122.4 (4.82) | 040 | 133.1-134.6 (5.24-5.30) | 180.1 (7.09) | 040 | 136.6-138.7 (5.38-5.46) | 184.1 (7.25) |

| REV | DESCRIPTION | BY | CHK | DATE | ECN |
|-----|--|-----|-----|----------|------------|
| A | ENGINEERING RELEASE | SRK | | 8-04-04 | M62502 |
| B | REVISED DISPLACEMENT FOR TABULATION BLOCKS | RG | | 6-26-06 | 56090 |
| C | REVISED | HRK | SKS | 9-16-09 | 19302 |
| D | ADDED DISP. TAB 040 | SMK | | 10-13-20 | PA11BG0028 |



NOTE

- 1 PORT OPTION AA OR AP
- 2 CASE FLOW OPTION: 01, 04 OR 13

CS REVIEWED FOR CLASSIFICATION PER ESP-042

UNLESS OTHERWISE SPECIFIED ALL DIMENSIONS ARE IN
 INCHES
 MILLIMETERS

TOLERANCES
 X ± ----
 .XX ± REF
 .XXX ± ONLY
 < ± ----

UNSPECIFIED RADII ARE

UNSPECIFIED DRAFT ANGLES ARE

D SIZE

DRAWING BASED ON ANSI Y14.5M-1982

THE REPRODUCTION, DISTRIBUTION AND UTILIZATION OF THIS DOCUMENT AS WELL AS THE COMMUNICATION OF ITS CONTENTS TO OTHER WITHOUT EXPLICIT AUTHORIZATION IS PROHIBITED. OFFENDERS WILL BE HELD LIABLE FOR THE PAYMENT OF DAMAGES. ALL RIGHT RESERVED IN THE EVENT OF THE GRANT OF A PATENT, UTILITY MODEL OR DESIGN. (PER ISO 16016)

Danfoss

DRAWN BY/DATE SRK 8-09-04 MATERIAL/HEAT TREAT
 CHECKED BY/DATE AGJ 8-10-04

ENGNG BY/DATE JML 8-17-04 TITLE
 METALLURGY BY/DATE

THIRD ANGLE PROJECTION
 DO NOT SCALE

MICROINCHES
 MICROMETERS

NUMBER
 A-673-046

SCALE 1/1 SHEET 1 OF 1