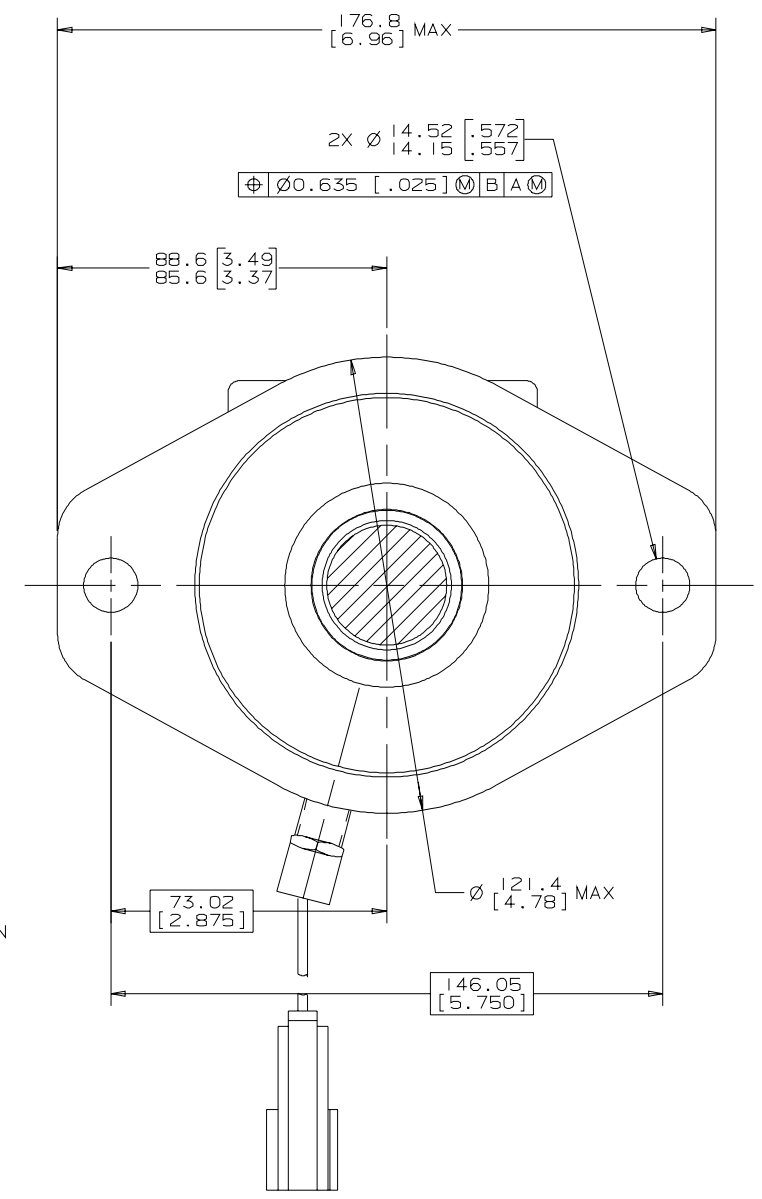
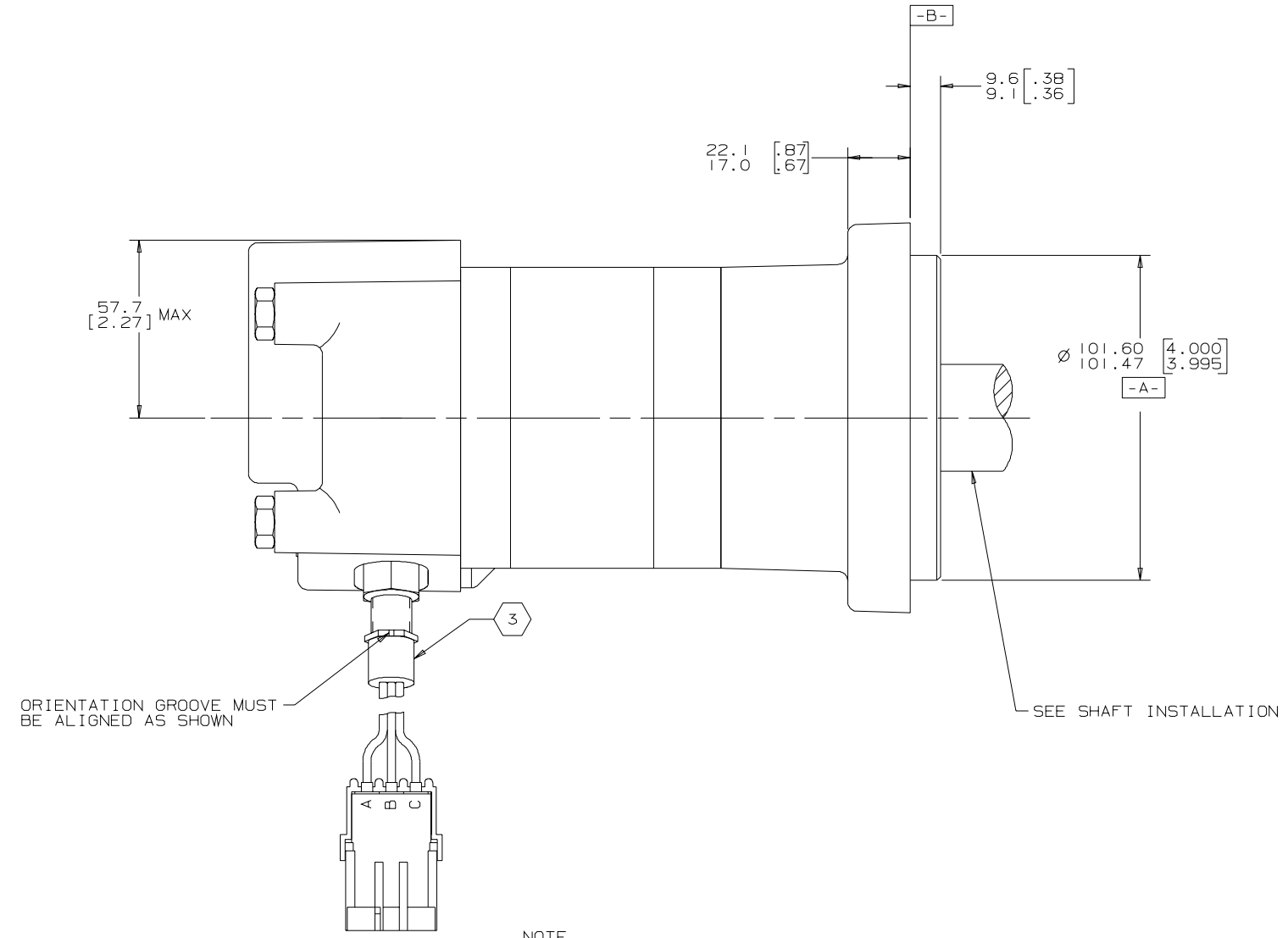
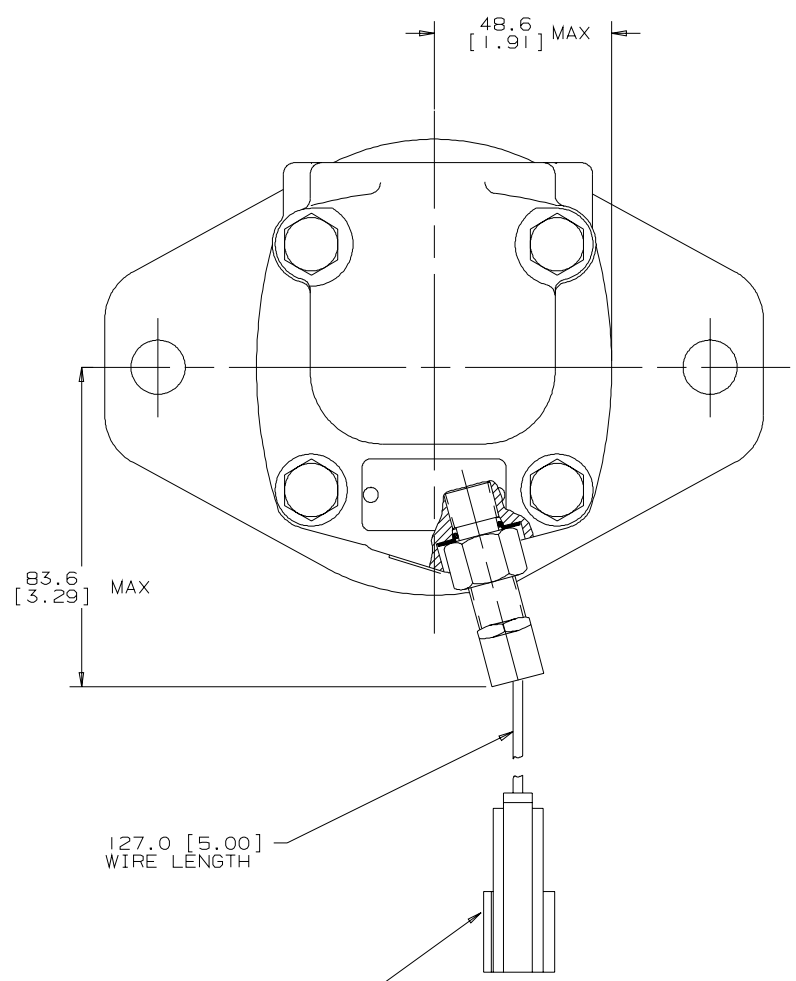
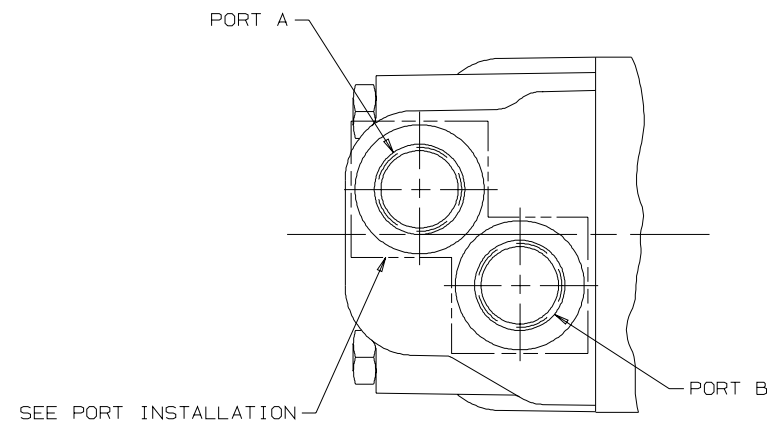


REV	DESCRIPTION	BY	CHK	DATE	ECN
A	ENGINEERING RELEASE	JMM		4-13-95	M13374
B	REVISE SPEED SENSOR	SDR		8/20/96	28523
C	(6B)ADDED NOTE "ORIENTATION GROOVE..."	AGJ		10-7-99	33309
D	(4A)NOTE 2 WAS MOUNTING TYPE: F	AGJ		5-13-02	41044



CONNECTOR PINS DESIGNED TO MATE WITH WEATHER PACK CONNECTOR P/N 12015792 TERMINAL P/N 12089040 CONTACT RATINGS: 5 AMPS MAX AT 12 VOLTS (A=POWER, B=SIGNAL, C=COMMON)

- NOTE
- ROTATION:
STANDARD: WHEN FACING SHAFT END OF MOTOR, SHAFT TO ROTATE: CLOCKWISE WHEN PORT "A" IS PRESSURIZED COUNTERCLOCKWISE WHEN PORT "B" IS PRESSURIZED
REVERSE: WHEN FACING SHAFT END OF MOTOR, SHAFT TO ROTATE: COUNTERCLOCKWISE WHEN PORT "B" IS PRESSURIZED CLOCKWISE WHEN PORT "A" IS PRESSURIZED
 - MOUNTING TYPE: AF
STANDARD, 2 BOLT: Ø 101.6 [4.00] PILOT Ø 14.35 [.565] HOLES ON Ø 146.0 [5.75] BOLT CIRCLE "SAE B"
 - NOMINAL SENSOR OUTPUT WILL BE 30 ELECTRICAL PULSES PER SHAFT REVOLUTION
SUPPLY VOLTAGE: 8 TO 28 Vdc
OUTPUT VOLTAGE: LOW .5 Vdc AT 10 mA; HIGH (Vs-1) Vdc

G K S

UNLESS OTHERWISE SPECIFIED ALL DIMENSIONS ARE IN INCHES <input type="checkbox"/> MILLIMETERS <input checked="" type="checkbox"/>		DRAWING BASED ON ANSI Y14.5M-1982	
TOLERANCES		NOTICE TO PERSONS RECEIVING THIS DRAWING AND / OR TECHNICAL INFORMATION	
.X	----	Edson Corporation claims proprietary rights in the information disclosed hereon. This document is issued in confidence and is not to be reproduced or used to manufacture anything shown hereon without the written permission of the Edson Corporation.	
.XX	*REF	Edson Corporation Hydraulics Division 15551 Highway 5 Eaton Prairie, Mn. 55544	
.XXX	*ONLY	DRAWN BY/DATE JMM 4-18-95	MATERIAL/HEAT TREAT
<	----	CHECKED RAF 4-18-95	
UNSPECIFIED	RADI ARE	ENGRG BY/DATE MLB 4-18-95	TITLE
----	----	METALLURGY BY/DATE	2000 SERIES MOTOR INSTALL
UNSPECIFIED	DRAFT ANGLES ARE	THIRD ANGLE PROJECTION	WIDRINCHES <input type="checkbox"/> NUMBER
----	----	DO NOT SCALE	WIDMETERS <input type="checkbox"/> NUMBER
DRAWING FORMAT	CADD <input type="checkbox"/> MANUAL <input type="checkbox"/>	ARITHMETICAL AVERAGE	A-667-008
			SCALE 1/1 SHEET 1 OF 1