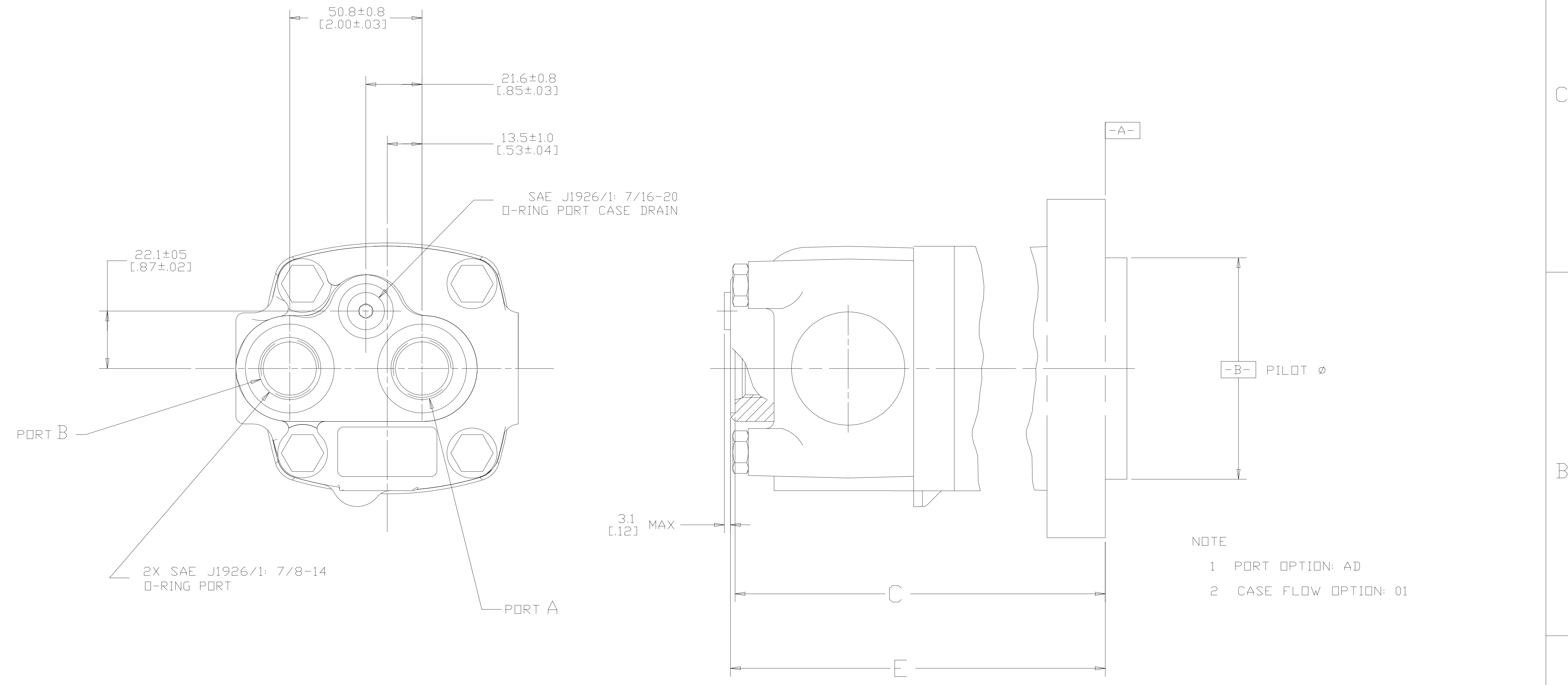


8 7 6 5 4 3 2 1

MOUNTING TYPE(S) AB,AM,AP,AR,AV,BB,BF,BG,BH			MOUNTING TYPE(S) AC,AF,AH,AN,AS,AU,AW,AY,BA,BD,BE			MOUNTING TYPE AG			MOUNTING TYPE AD,AE,BJ		
DISP	C	E MAX	DISP	C	E MAX	DISP	C	E MAX	DISP	C	E MAX
049	141.7-143.3 [5.58-5.64]	145.3 [5.72]	049	181.9-183.4 [7.16-7.22]	185.4 [7.30]	049	169.9-171.4 [6.69-6.75]	173.5 [6.83]	049	123.4-125.7 [4.86-4.95]	127.8 [5.03]
055	144.0-145.6 [5.67-5.73]	147.7 [5.81]	055	184.2-185.7 [7.25-7.31]	188.0 [7.40]	055	172.2-173.8 [6.78-6.84]	175.9 [6.92]	055	125.7-128.1 [4.95-5.04]	130.1 [5.12]
062	146.3-148.1 [5.76-5.83]	150.1 [5.91]	062	186.4-188.2 [7.34-7.41]	190.2 [7.49]	062	174.5-176.3 [6.87-6.94]	178.3 [7.02]	062	128.0-130.6 [5.04-5.14]	132.6 [5.22]
080	152.9-154.4 [6.02-6.08]	156.5 [6.16]	080	193.0-194.6 [7.60-7.66]	196.6 [7.74]	080	181.1-182.6 [7.13-7.19]	184.6 [7.27]	080	134.6-136.9 [5.30-5.39]	138.9 [5.47]
096	152.9-154.4 [6.02-6.08]	156.5 [6.16]	096	193.0-194.6 [7.60-7.66]	196.6 [7.74]	096	181.1-182.6 [7.13-7.19]	184.6 [7.27]	096	134.6-136.9 [5.30-5.39]	138.9 [5.47]
119	159.5-161.0 [6.28-6.34]	163.1 [6.42]	119	199.6-201.2 [7.86-7.92]	203.2 [8.00]	119	187.7-189.2 [7.39-7.45]	191.3 [7.53]	119	141.2-143.5 [5.56-5.65]	145.5 [5.73]
149	168.7-170.2 [6.64-6.70]	172.2 [6.78]	149	208.8-210.3 [8.22-8.28]	212.3 [8.36]	149	196.8-198.4 [7.75-7.81]	200.4 [7.89]	149	150.4-152.7 [5.92-6.01]	154.7 [6.09]
187	180.1-181.3 [7.09-7.14]	183.4 [7.22]	187	220.1-221.7 [8.66-8.73]	223.7 [8.81]	187	208.1-209.8 [8.19-8.26]	211.8 [8.34]	187	161.6-164.0 [6.36-6.46]	166.1 [6.54]
240	195.8-197.6 [7.71-7.78]	199.6 [7.86]	240	236.0-237.7 [9.29-9.36]	239.8 [9.44]	240	224.0-225.8 [8.82-8.89]	227.8 [8.97]	240	177.5-180.1 [6.99-7.09]	182.1 [7.17]
298	213.4-214.9 [8.40-8.46]	216.9 [8.54]	298	253.5-255.0 [9.98-10.04]	257.0 [10.12]	298	241.6-243.1 [9.51-9.57]	245.1 [9.65]	298	195.1-197.4 [7.68-7.77]	199.4 [7.85]

REV	REVISION	BY	DATE	ECN
A	ENGINEERING RELEASE	RAF	5-24-93	M8201
B	REVISED	AGJ	5-26-93	22833
C	<7D>ADDED "N" TO MOUNTING TYPE C & H	AGJ	9-8-93	M8627
D	<6D>ADDED MOUNTING TYPE "D"	RAF	9-18-93	M8731
E	<8D>ADDED MOUNTING TYPE "P"	KJR	11-17-93	M8845
F	<7D>ADDED MOUNTING TYPE "S"	KJR	5-17-94	M11794
G	<7D>ADDED MOUNTING TYPE "U"	MGF	5-16-01	M25404A
H	<7D>ADDED MOUNTING TYPE "G"	AGJ	7-24-02	M28437A
J	-1>REVISED MOUNTING TAB CODES -2>NOTE 1 WAS PORT OPTION: F OR M -2>ADDED NOTE 2	AGJ	5-13-02	41044
K	REVISED TABULATION BLOCKS	AGJ	5-17-04	47918
M	REVISED REFER ECR ATTACHMENT FOR DETAILS OF CHANGE	PRK	5-11-09	M75935
N	-1>REVISED ALL DIMENSION FOR STACK UP -2>ADDED DISPLACEMENT 055 INTO ALL TABLES -3>REVISED ALL TABULATION BLOCK	YUP	10-25-12	M87115A
P	-1>(6B)(4B)REVISED PICTORIALY -2>(2B)NOTE 1 WAS ...AD DR AR	JVD	11-09-15	M98643
R	<7D> ADDED MOUNTING TYPE "AL"	PJ	08-23-17	M105475

MOUNTING TYPE AJ,BC			MOUNTING TYPE AL		
DISP	C	E MAX	DISP	C	E MAX
049	185.4-187.5 [7.30-7.38]	189.5 [7.46]	049	143.7-145.3 [5.66-5.72]	147.3 [5.80]
055	187.7-189.8 [7.39-7.47]	191.9 [7.55]	055	146.0-147.6 [5.75-5.81]	149.7 [5.89]
062	190.0-192.3 [7.48-7.57]	194.3 [7.65]	062	148.3-150.1 [5.84-5.91]	152.1 [5.99]
080	196.6-198.6 [7.74-7.82]	200.7 [7.90]	080	154.9-156.4 [6.10-6.16]	158.5 [6.24]
096	196.6-198.6 [7.74-7.82]	200.7 [7.90]	096	154.9-156.4 [6.10-6.16]	158.5 [6.24]
119	203.2-205.2 [8.00-8.08]	207.3 [8.16]	119	161.5-163.0 [6.36-6.42]	165.1 [6.50]
149	212.3-214.4 [8.36-8.44]	216.4 [8.52]	149	170.7-172.2 [6.72-6.78]	174.2 [6.86]
187	223.6-225.8 [8.80-8.89]	227.8 [8.97]	187	182.1-183.3 [7.17-7.22]	185.4 [7.30]
240	239.5-241.8 [9.43-9.52]	243.8 [9.60]	240	197.8-199.6 [7.79-7.86]	201.6 [7.94]
298	257.0-259.12 [10.12-10.20]	261.1 [10.28]	298	215.4-216.9 [8.48-8.54]	218.9 [8.62]



REVIEWED FOR CLASSIFICATION PER ESP-042

DRAWING BASED ON ANSI Y14.5M-1982

EATON CORPORATION - CONFIDENTIAL AND PROPRIETARY
NOTICE TO PERSONS RECEIVING THIS DRAWING
AND / OR TECHNICAL INFORMATION

UNLESS OTHERWISE SPECIFIED ALL DIMENSIONS ARE IN
INCHES
MILLIMETERS

TOLERANCES

X ± .0005
XX ± .0008
XXX ± .0010
∠ .0005
UNSPECIFIED RADII ARE .005
UNSPECIFIED DRAFT ANGLES ARE 1:4
DRAWING FORMAT CADD MANUAL

DRAWN BY/DATE A. JOHNSON 2-23-93
CHECKED SDR BY/DATE 5-27-93
ENGRG ME BY/DATE 5-27-93
METALLURGY BY/DATE

MATERIAL/HEAT TREAT

TITLE 2000 SERIES MOTOR PORT INSTALLATION

NUMBER A-673-006

SCALE 1/1 SHEET 1 OF 1

DO NOT SCALE

THIRD ANGLE PROJECTION

ARTHWICAL AVERAGE

Eaton Hydraulics, LLC
14615 Lone Oak Road
Eden Prairie, MN 55344
USA