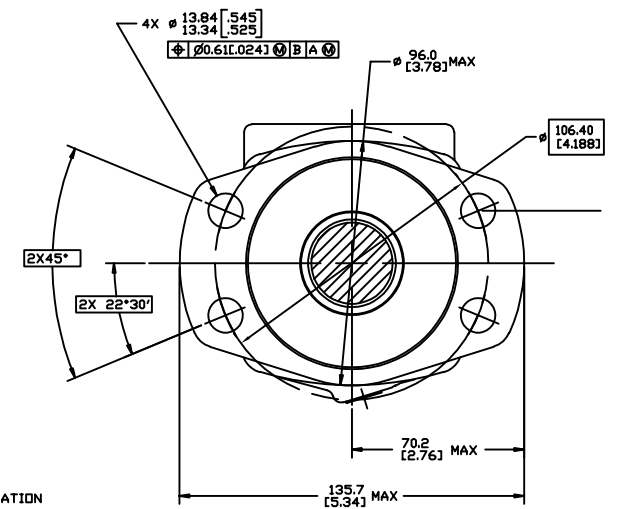
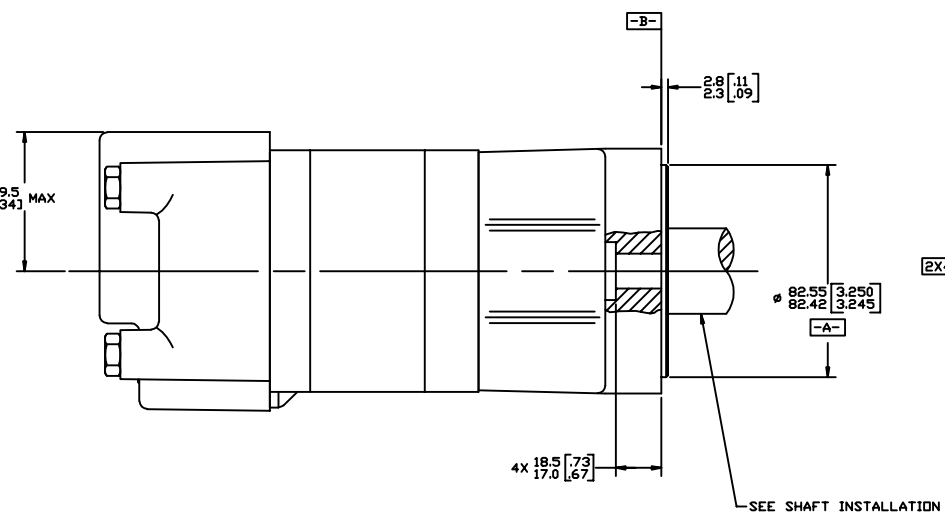
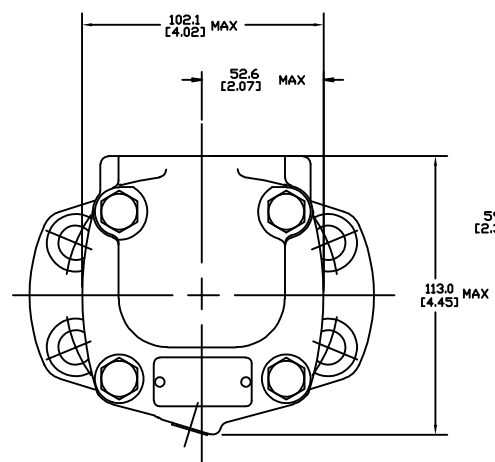
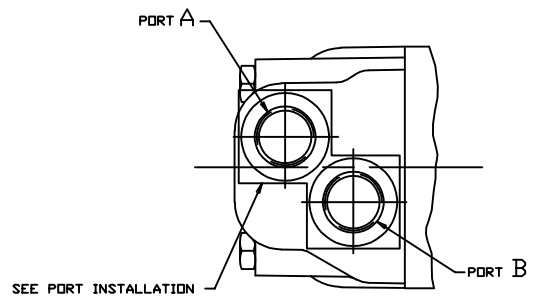


SYM	REVISION		BY	DATE	ECN
A	ENGINEERING RELEASE		RAF	5/11/98	M10742
B	REVISED		AGJ	5-28-98	22833
C	(4A)NOTE 2 WAS MOUNTING TYPE J		AGJ	5/13/98	41044
D	REVISED		AAB	7-06-10	M79504



NOTE

1 ROTATION:
 STANDARD: WHEN FACING SHAFT END OF MOTOR, SHAFT TO ROTATE) CLOCKWISE WHEN PORT "A" IS PRESSURIZED COUNTERCLOCKWISE WHEN PORT "B" IS PRESSURIZED
 REVERSE: WHEN FACING SHAFT END OF MOTOR, SHAFT TO ROTATE) COUNTERCLOCKWISE WHEN PORT "B" IS PRESSURIZED CLOCKWISE WHEN PORT "A" IS PRESSURIZED

2 MOUNTING TYPE: A J
 STANDARD (MAGNET), 4 BOLT, ϕ 82.6 [3.25] PILOT ϕ 13.59 [0.535] HOLES ON ϕ 106.4 [4.19] BOLT CIRCLE 2.79 [0.110] PILOT LENGTH

REVIEWED FOR CLASSIFICATION PER ESP-042

UNLESS OTHERWISE SPECIFIED, ALL DIMENSIONS ARE IN INCHES <input type="checkbox"/> FRACTIONS <input checked="" type="checkbox"/> DECIMALS	DRAWING BASED ON ANSI Y14.5M-1982		
TOLERANCES	EXACT COMPONENTS - CONFIDENTIAL AND PROPRIETARY NOTICE TO PURCHASER RECEIVING THIS DRAWING: THIS DRAWING IS THE PROPERTY OF THE COMPANY AND IS TO BE USED ONLY FOR THE PURPOSES SPECIFIED HEREIN. IT IS NOT TO BE REPRODUCED, COPIED, OR TRANSMITTED IN ANY FORM OR BY ANY MEANS, ELECTRONIC OR MECHANICAL, INCLUDING PHOTOCOPYING, RECORDING, OR BY ANY INFORMATION STORAGE AND RETRIEVAL SYSTEM, WITHOUT THE WRITTEN PERMISSION OF THE COMPANY. THE COMPANY ASSUMES NO LIABILITY FOR ANY DAMAGE OR LOSS OF PROFITS OR BUSINESS, INCLUDING CONSEQUENTIAL DAMAGES, ARISING FROM THE USE OF THIS DRAWING OR FROM ANY INFORMATION STORAGE AND RETRIEVAL SYSTEM, WITHOUT THE WRITTEN PERMISSION OF THE COMPANY.		
XX = REF DIM = ONLY UNDESPECIFIED MADE ARE UNDESPECIFIED SHAFT ANGLES ARE THIRD ANGLE PROJECTION DO NOT SCALE	DATE: 5/12/98 CHECKED BY: RANDOLPH DRAWN BY: S-12-98 TITLE: 2000 SERIES MOTOR INSTALL	MATERIAL/HEAT TREAT FINISH HARDENED & TEMPERED NUMBER A-671-001	SCALE 1/1 SHEET 1 OF 1