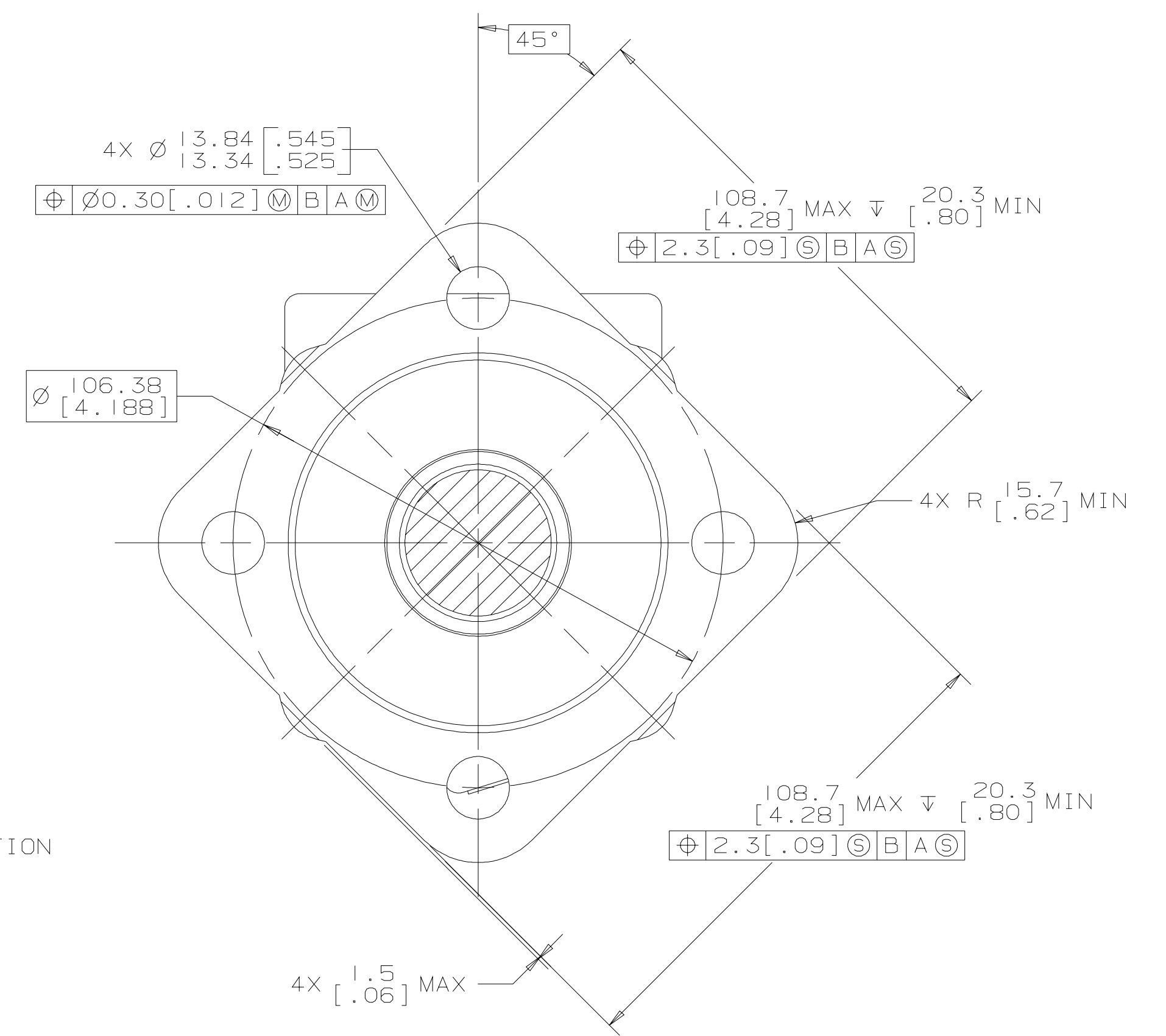
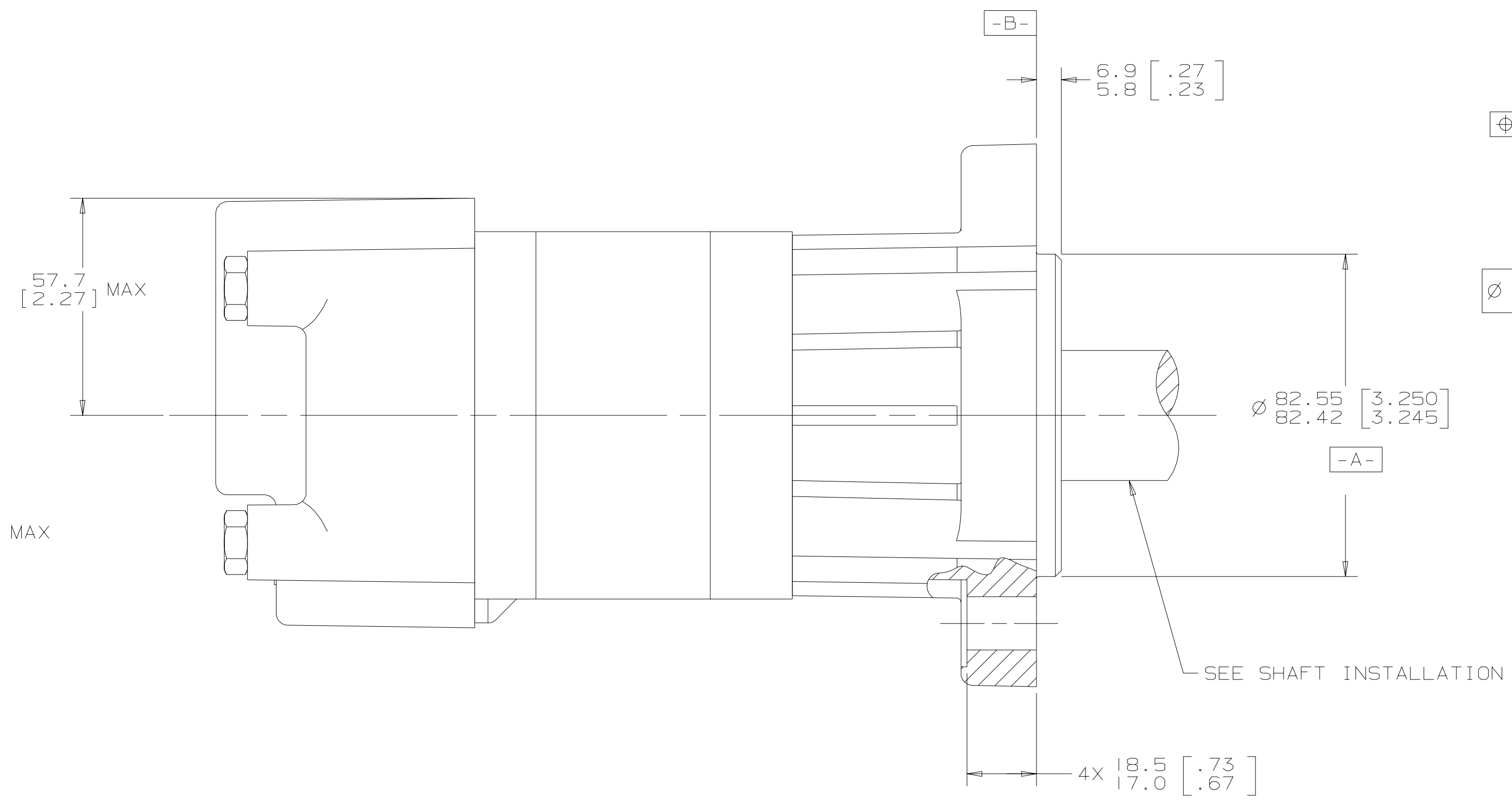
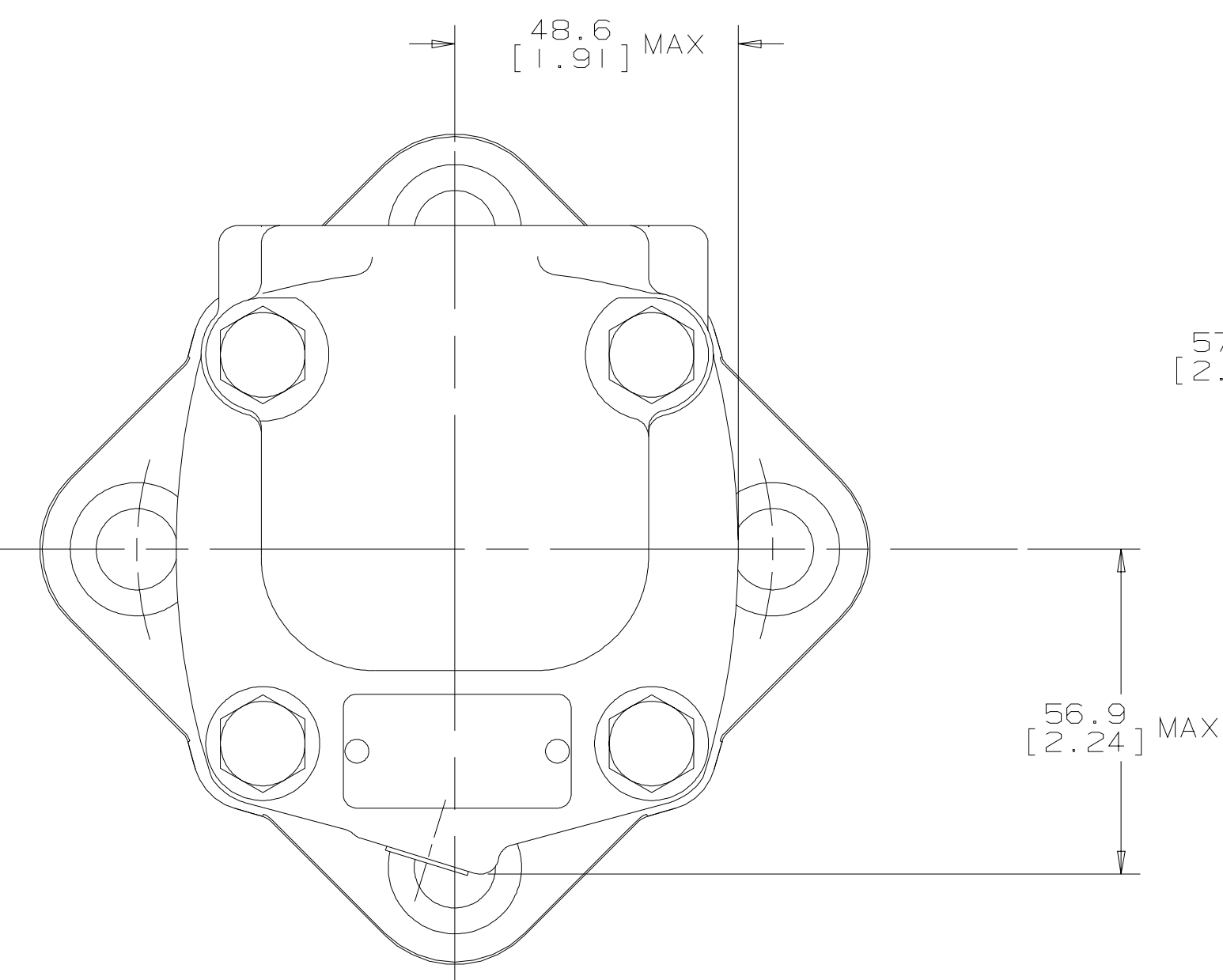
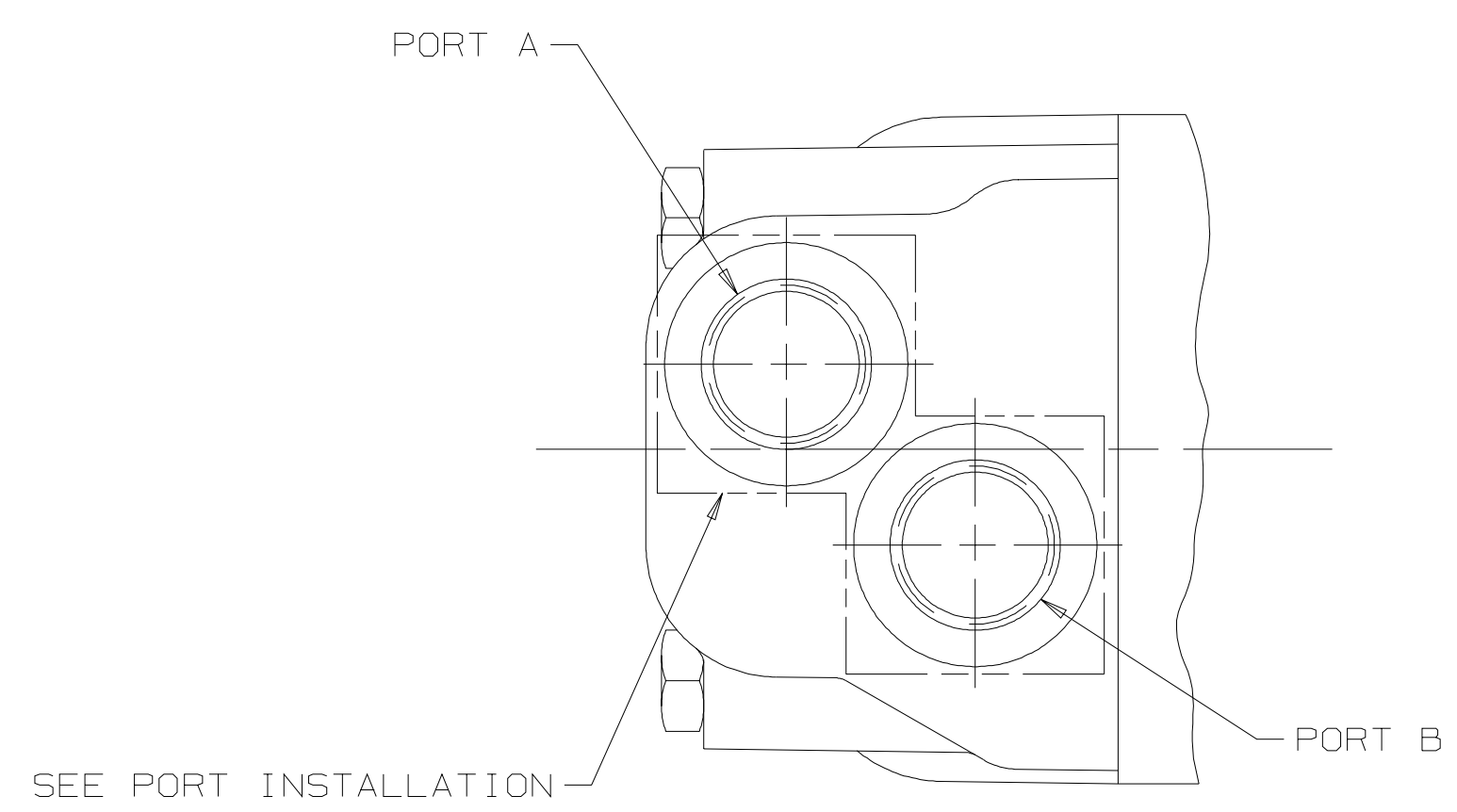


REV	DESCRIPTION	BY	CHK	DATE	ECN
A	ENGINEERING RELEASE	WRD		2-12-97	M16907
B	{4A}NOTE 2 WAS MOUNTING TYPE: W	AGJ		5-13-02	41044
C	{3C}4X Ø 13.84/13.34 [.545/.525] WAS 4X Ø 13.72/13.46 [.540/.530]	AGJ		9-30-03	45504



NOTE

1 ROTATION:
STANDARD: WHEN FACING SHAFT END OF MOTOR, SHAFT TO ROTATE;
CLOCKWISE WHEN PORT "A" IS PRESSURIZED
COUNTERCLOCKWISE WHEN PORT "B" IS PRESSURIZED

REVERSE: WHEN FACING SHAFT END OF MOTOR, SHAFT TO ROTATE;
CLOCKWISE WHEN PORT "B" IS PRESSURIZED
COUNTERCLOCKWISE WHEN PORT "A" IS PRESSURIZED

2 MOUNTING TYPE: AW
STANDARD, 4 BOLT: Ø 82.6 [3.25] PILOT
Ø 13.59 [.535] HOLES ON Ø 106.4 [4.19] BOLT CIRCLE
CAST BUMPS REMOVED

G S K

UNLESS OTHERWISE SPECIFIED ALL DIMENSIONS ARE IN INCHES <input type="checkbox"/> MILLIMETERS <input checked="" type="checkbox"/>		DRAWING BASED ON ANSI Y14.5M-1982	
THE REPRODUCTION, DISTRIBUTION, AND UTILIZATION OF THIS DOCUMENT, AS WELL AS THE COMMUNICATION OF ITS CONTENTS TO OTHERS WITHOUT EXPLICIT AUTHORIZATION IS PROHIBITED. OFFENDERS WILL BE HELD LIABLE FOR THE PAYMENT OF DAMAGES. ALL RIGHTS RESERVED IN THE EVENT OF THE GRANT OF A PATENT, UTILITY MODEL, OR DESIGN. (PER ISO 16016)			
TOLERANCES		MATERIAL/HEAT TREAT	
.X	----	DRWN BY/DATE WRD 2-13-97	
.XX	----	CHECKED BY/DATE RAF 2-21-97	
.XXX	----	ENGR BY/DATE M.L.B 2-21-97	TITLE
∠	----	METALLURGY ----	2K INSTALLATION
UNSPECIFIED RADI ARE		THIRD ANGLE PROJECTION	NUMBER
UNSPECIFIED DRAFT ANGLES ARE		DO NOT SCALE	A-669-016
DRAWING FORMAT CADD <input checked="" type="checkbox"/> MANUAL <input type="checkbox"/>		ARITHMETICAL AVERAGE	SCALE 1/1 SHEET 1 OF 1