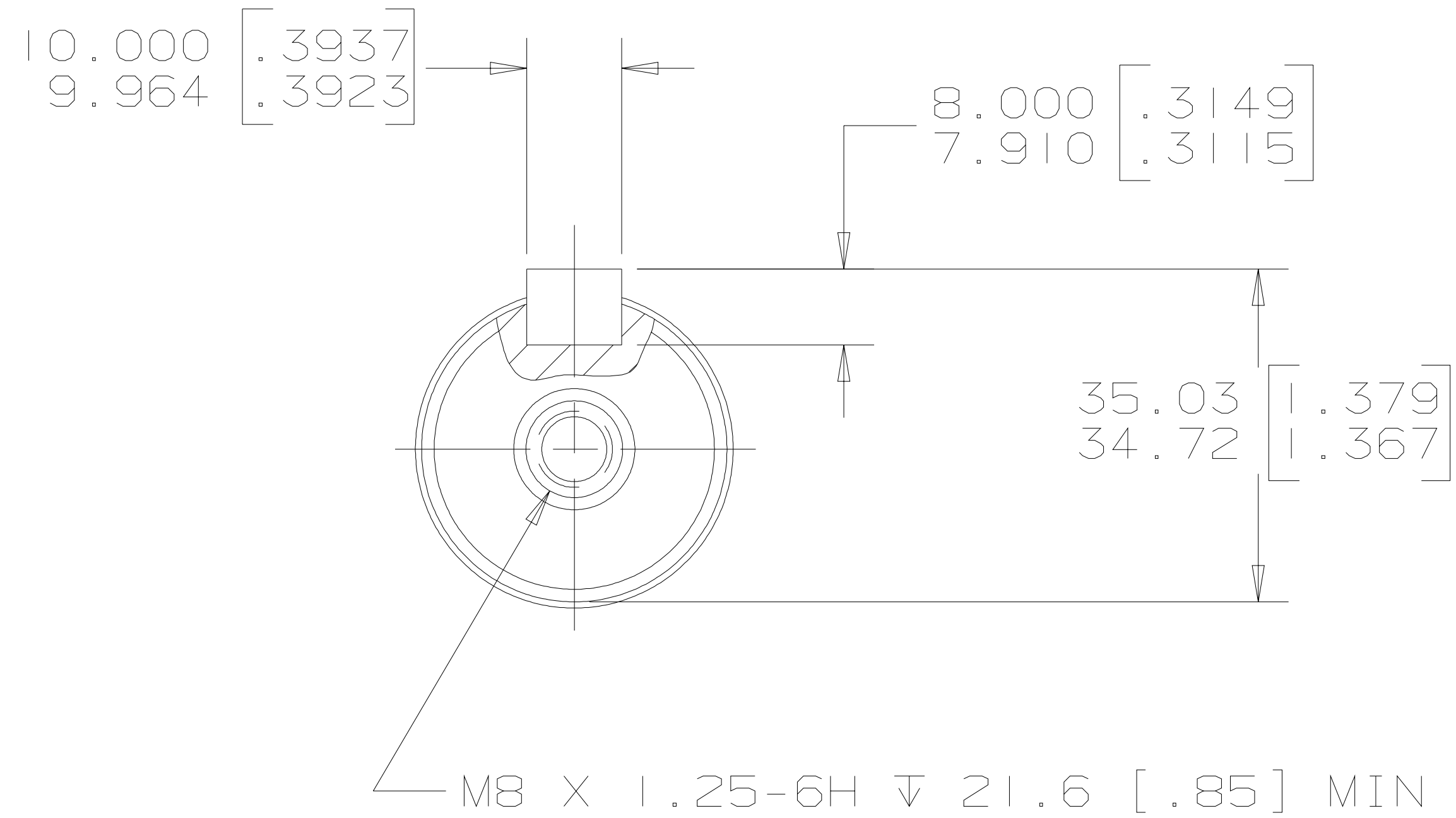
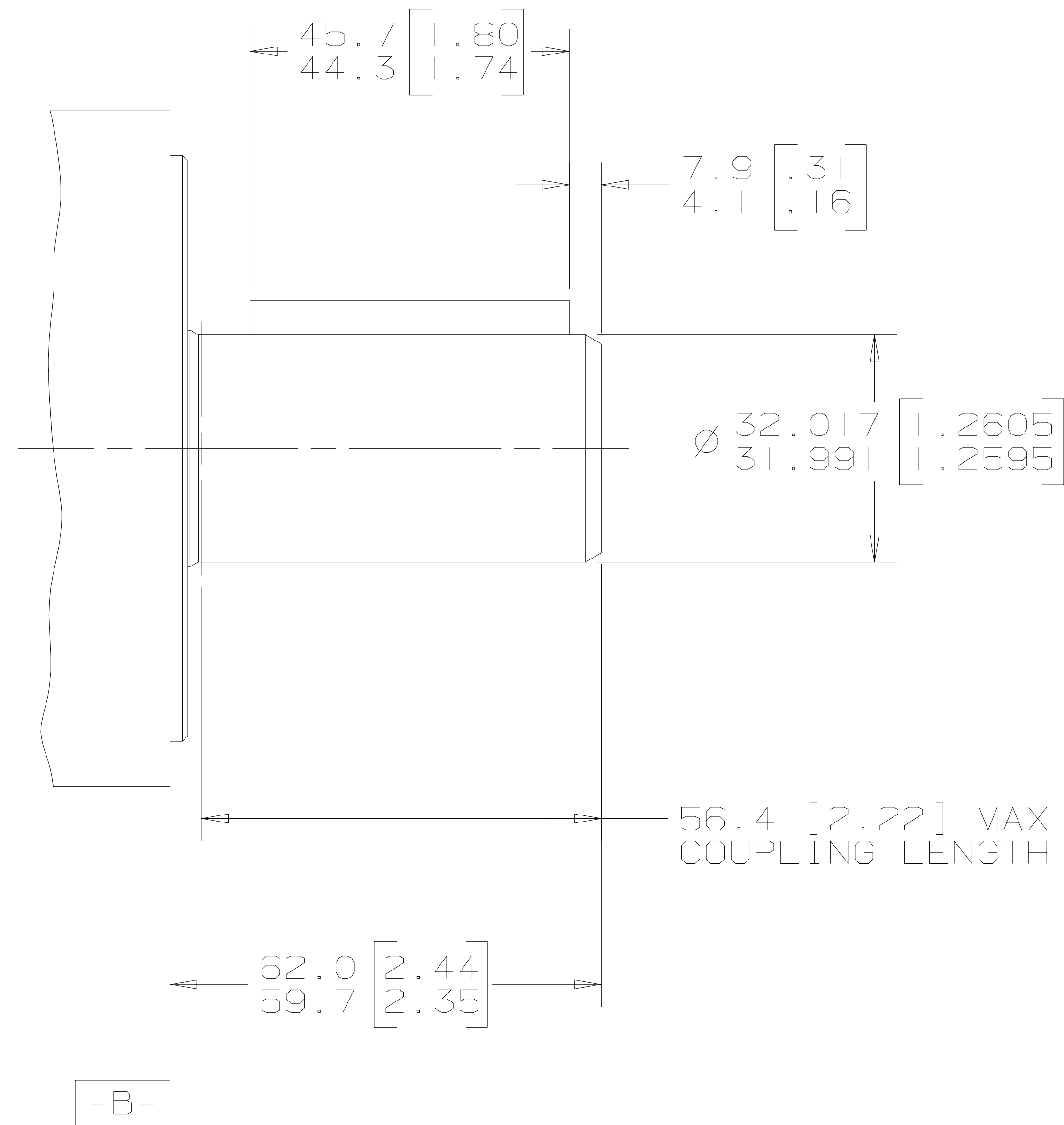


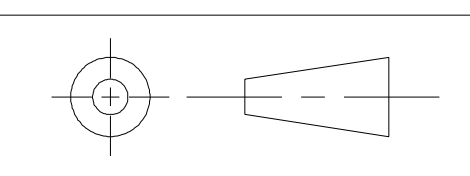
| REV | DESCRIPTION | BY | DATE | ECN |
|-----|---|-----|---------|--------|
| A | ENGINEERING RELEASE | RAF | 5/11/93 | M10742 |
| B | -1) MOUNTING TYPE WAS 9 -2) NOTE 2 WAS SHAFT OPTION 22 | AGJ | 5-26-93 | 22833 |
| C | 7.9/4.1 [.31/.16] WAS 9.2/4.5 [.36/.18] | RAF | 2-8-96 | M14882 |
| D | NOTE 1 WAS MOUNTING TYPE: OPTION J | AGJ | 5-13-02 | 41044 |
| E | 62.2/59.4 [2.45/2.34] WAS 65.8/63.5 [2.59/2.50] | AGJ | 6-27-03 | 44633 |
| F | 62.0/59.7 [2.44/2.35] WAS 62.2/59.4 [2.45/2.34] | AGJ | 5-17-04 | 47918 |
| G | NOTE 2 WAS OUTPUT SHAFT: OPTION 23 & 30 | PM | 4-4-06 | 54522 |



G K S

NOTE

- 1 MOUNTING TYPE: OPTION AJ
- 2 OUTPUT SHAFT: OPTION 16 & 22

| | | |
|--|---|--|
| UNLESS OTHERWISE SPECIFIED ALL DIMENSIONS ARE IN INCHES <input type="checkbox"/> MILLIMETERS [INCHES] <input checked="" type="checkbox"/> | DRAWING BASED ON ANSI Y14.5M-1982 | |
| | THE REPRODUCTION, DISTRIBUTION, AND UTILIZATION OF THIS DOCUMENT, AS WELL AS THE COMMUNICATION OF ITS CONTENTS TO OTHERS WITHOUT EXPLICIT AUTHORIZATION IS PROHIBITED. OFFENDERS WILL BE HELD LIABLE FOR THE PAYMENT OF DAMAGES. ALL RIGHTS RESERVED IN THE EVENT OF THE GRANT OF A PATENT, UTILITY MODEL, OR DESIGN. (PER ISO 16016) | |
| TOLERANCES .X ± ---- .XX ± REF .XXX ± ONLY < ± ---- | DRAWN BY/DATE: RAF 5/12/93 CHECKED BY/DATE: K. RANDOLPH 5-19-93 ENGRG BY/DATE: M. BERNSTROM 5-19-93 METALLURGY BY/DATE: ----- | MATERIAL/HEAT TREAT TITLE: 2000 SERIES MOTOR SHAFT INSTALLATION |
| UNSPECIFIED RADII ARE ----- UNSPECIFIED DRAFT ANGLES ARE ----- DRAWING FORMAT CADD <input checked="" type="checkbox"/> MANUAL <input type="checkbox"/> |  THIRD ANGLE PROJECTION DO NOT SCALE | MICROINCHES <input type="checkbox"/> MICROMETERS [MICROINCHES] <input type="checkbox"/> ARITHMETICAL AVERAGE <input checked="" type="checkbox"/> NUMBER: A-688-023 SCALE: 1/1 SHEET: 1 OF 1 |

