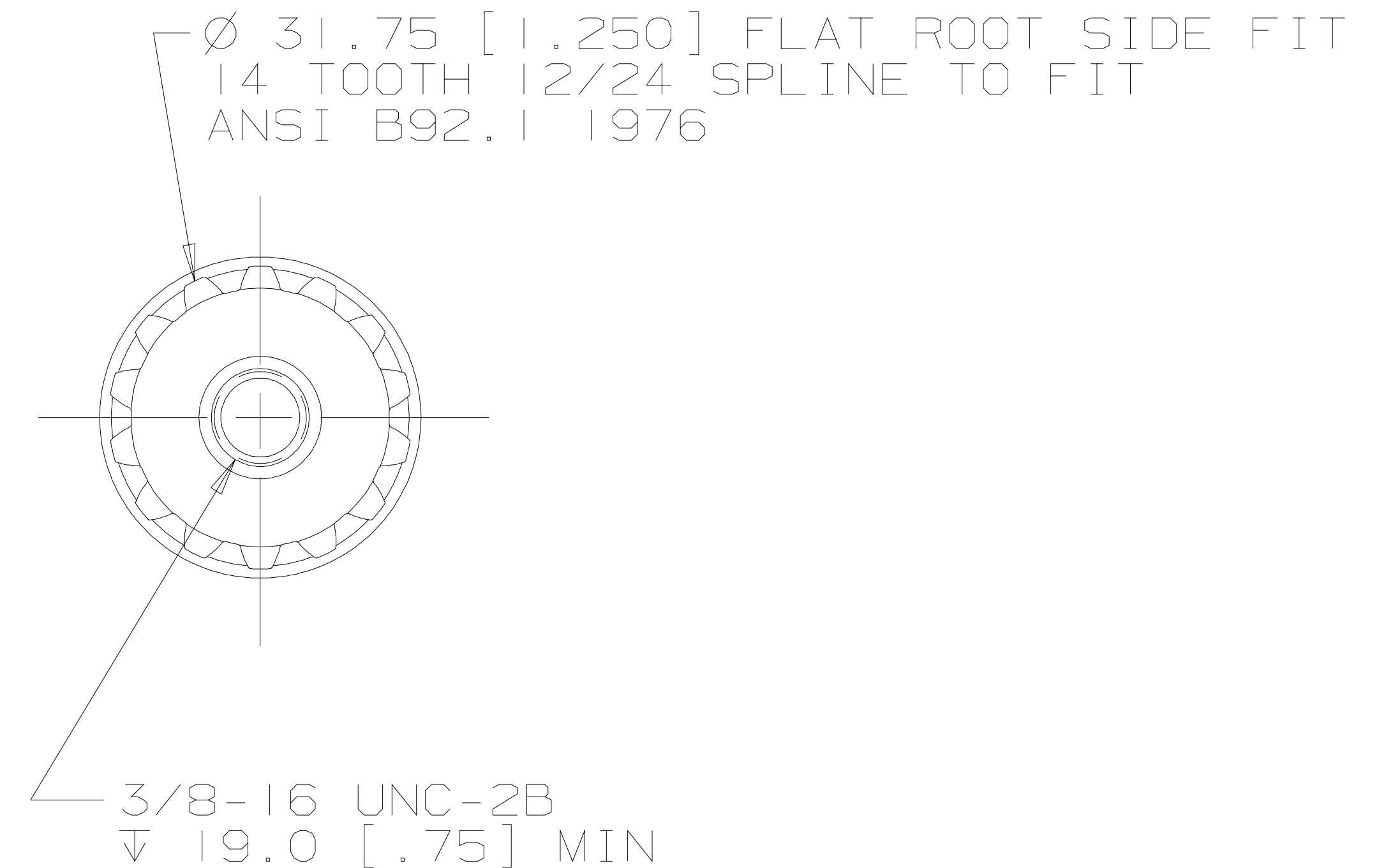
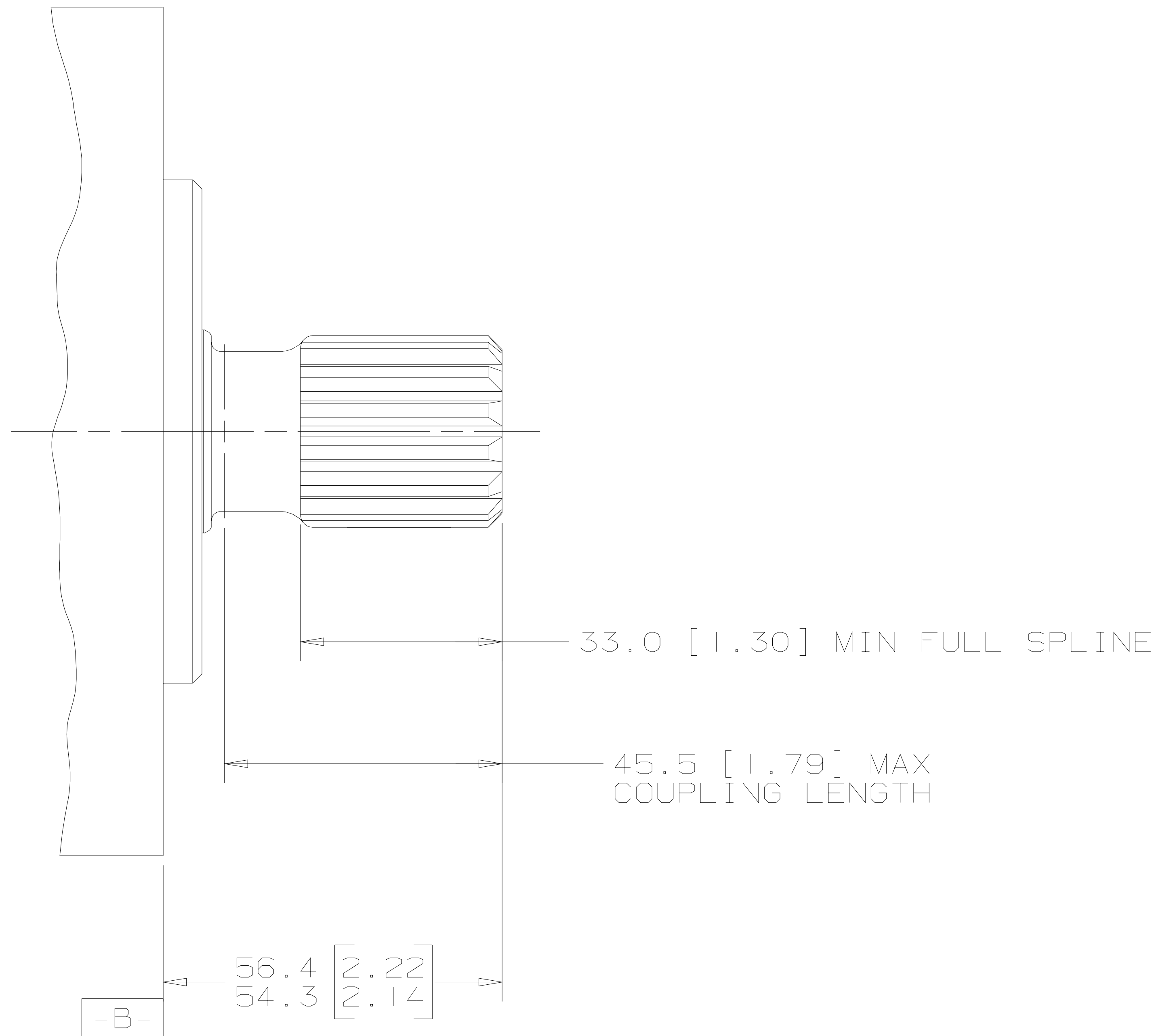


REV	DESCRIPTION	BY	DATE	ECN
A	ENGINEERING RELEASE	AGJ	5-26-93	22833
B	ADDED MOUNTING TYPE W	WRD	2-12-97	M16907
C	NOTE 1 WAS MOUNTING TYPE: OPTION H OR W	AGJ	5-13-02	41044
D	56.4/54.3 [2.22/2.14] WAS 56.7/54.3 [2.23/2.14]	AGJ	5-17-04	47918
E	NOTE 2 WAS OUTPUT SHAFT: OPTION 04 & 28	PM	4-4-06	54522
F	ADDED MOUNTING TYPE: "AS"	JSB	2-5-10	M78336



NOTE

- 1 MOUNTING TYPE: OPTION AH OR AW OR AS
2 OUTPUT SHAFT: OPTION 04 & 21

UNLESS OTHERWISE SPECIFIED ALL DIMENSIONS ARE IN		DRAWING BASED ON ANSI Y14.5M-1982	
INCHES <input type="checkbox"/>	MILLIMETERS [INCHES] <input checked="" type="checkbox"/>	EATON CORPORATION - CONFIDENTIAL AND PROPRIETARY NOTICE TO PERSONS RECEIVING THIS DRAWING AND / OR TECHNICAL INFORMATION	
TOLERANCES		THIS DOCUMENT, INCLUDING THE DRAWING AND INFORMATION CONTAINED THEREON, IS CONFIDENTIAL AND IS THE EXCLUSIVE PROPERTY OF EATON CORPORATION AND IS MERELY ON LOAN AND SUBJECT TO RECALL BY EATON AT ANY TIME. BY TAKING POSSESSION OF THIS DOCUMENT, THE RECIPIENT ACKNOWLEDGES AND AGREES THAT THIS DOCUMENT CANNOT BE USED IN ANY MANNER ADVERSE TO THE INTERESTS OF EATON, AND THAT NO PORTION OF THIS DOCUMENT MAY BE COPIED OR OTHERWISE REPRODUCED WITHOUT THE PRIOR WRITTEN CONSENT OF EATON. IN THE CASE OF CONFLICTING CONTRACTUAL PROVISIONS, THIS NOTICE SHALL GOVERN THE STATUS OF THIS DOCUMENT. COPYRIGHT 2008 EATON CORPORATION - ALL RIGHTS RESERVED.	
.X ±----	.XX ±REF	DRAWN BY/DATE A. JOHNSON 3-19-93	MATERIAL/HEAT TREAT
.XXX ±ONLY	< ±----	CHECKED BY/DATE SDR 6-24-93	
UNSPECIFIED RADII ARE	UNSPECIFIED DRAFT ANGLES ARE	ENGRG BY/DATE SZ 6-28-93	TITLE
----	----	METALLURGY BY/DATE ----	2000 SERIES MOTOR SHAFT INSTALLATION
DRAWING FORMAT CADD <input checked="" type="checkbox"/> MANUAL <input type="checkbox"/>	THIRD ANGLE PROJECTION	MICROINCHES <input type="checkbox"/> MICROMETERS [MICROINCHES] <input type="checkbox"/>	NUMBER
DO NOT SCALE	ARITHMETICAL AVERAGE <input checked="" type="checkbox"/>	A-687-004	
		SCALE 1/1	SHEET 1 OF 1

