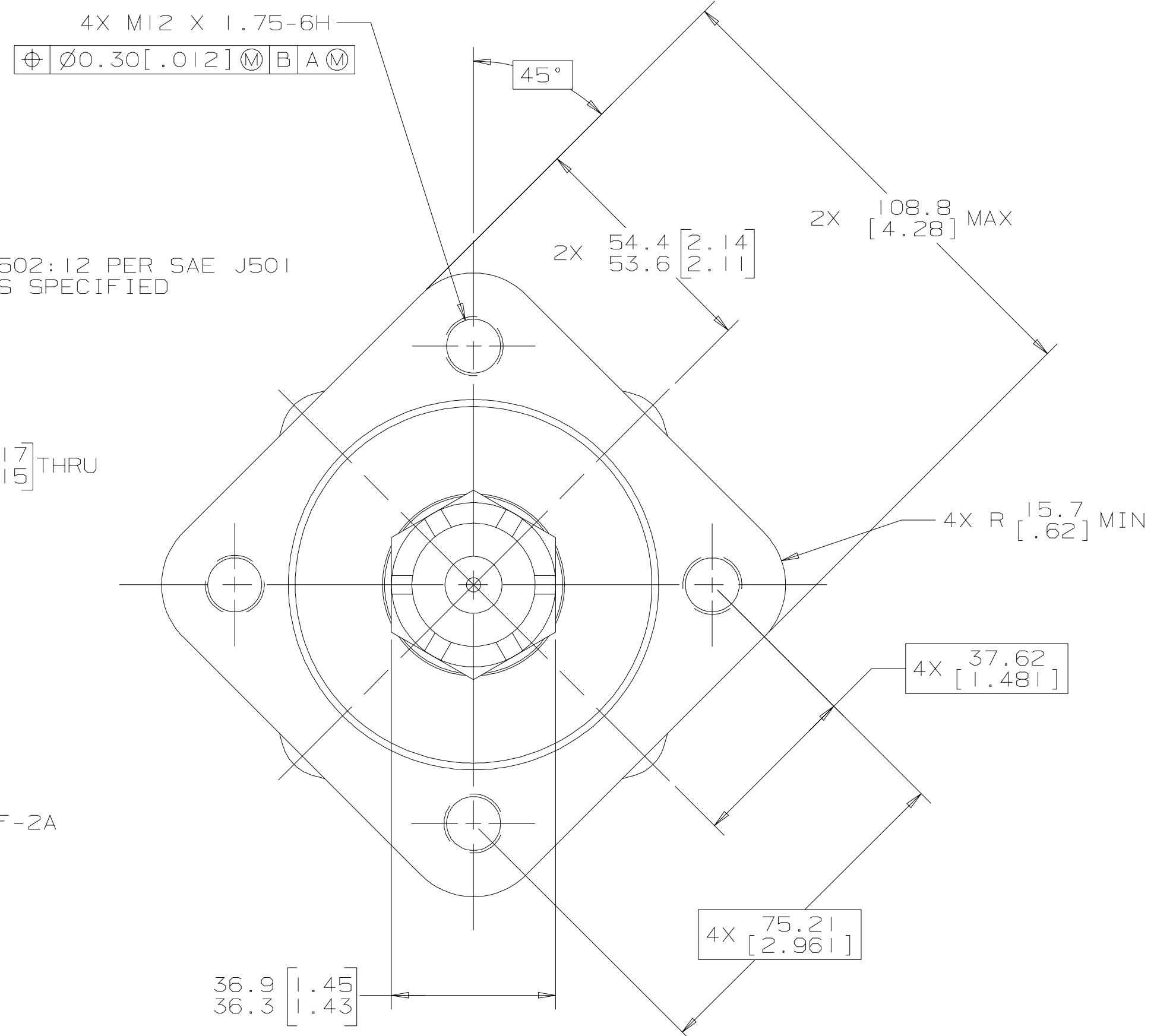
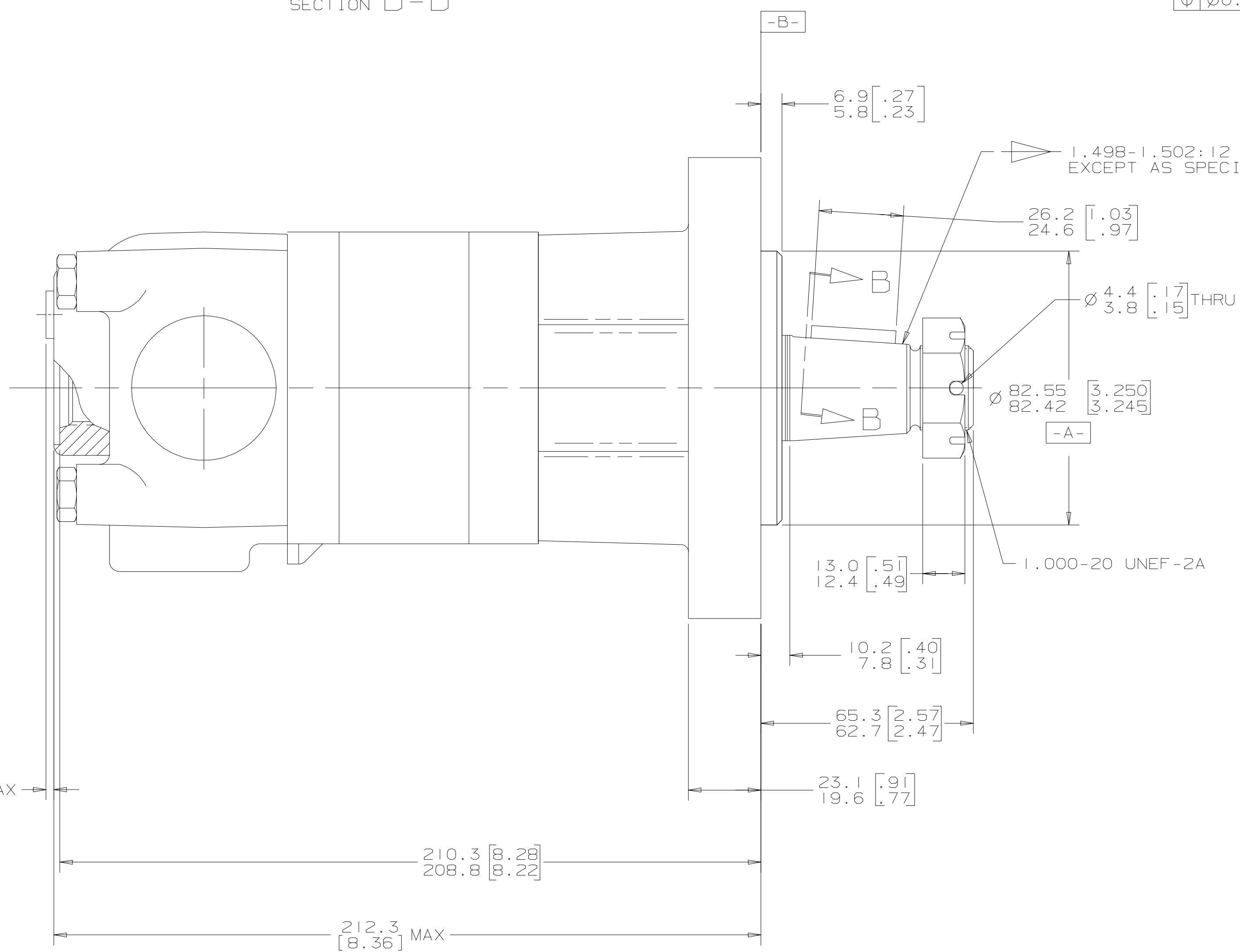
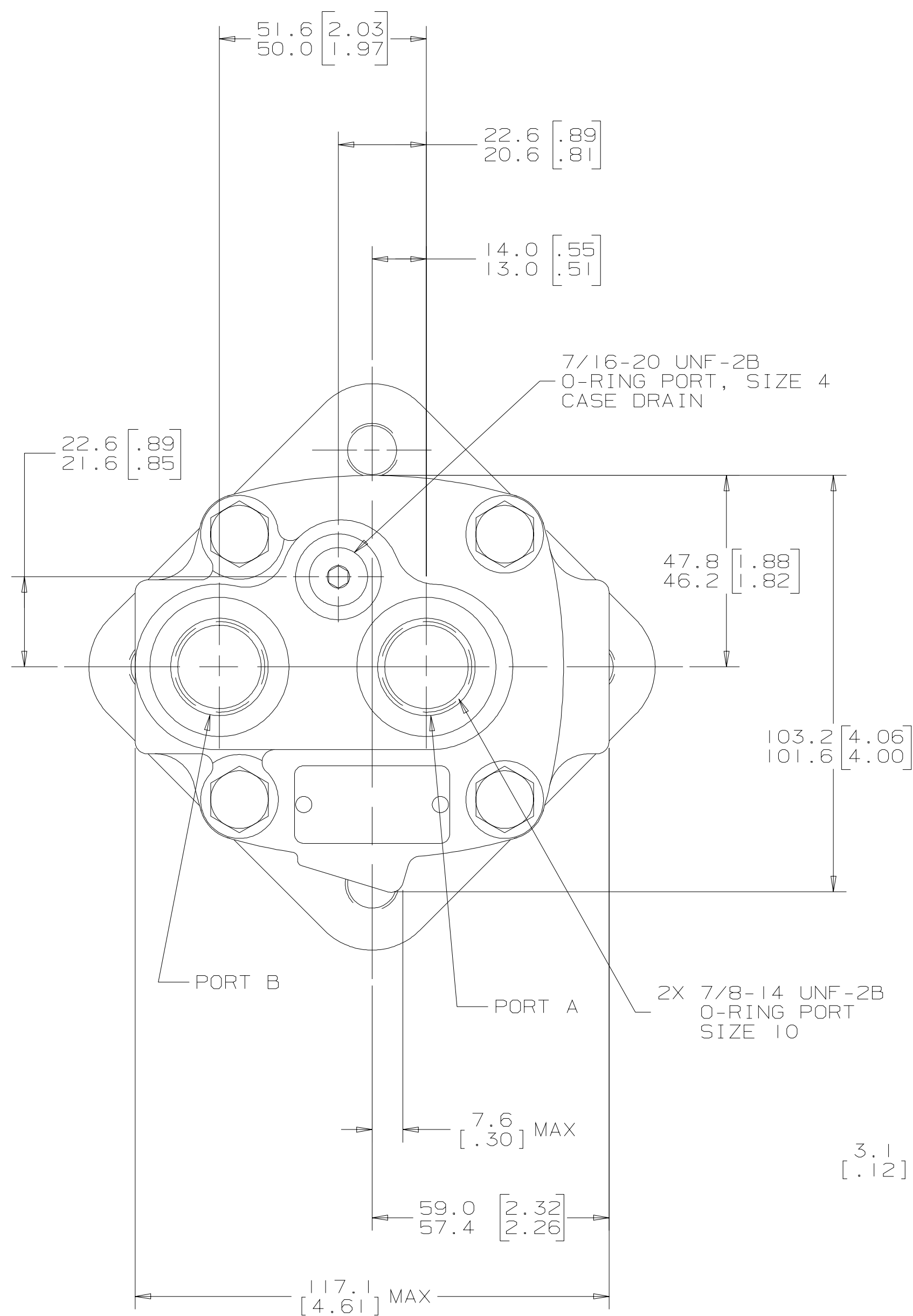


SECTION B-B



NOTE

- 1 ROTATION:
 STANDARD: WHEN FACING SHAFT END OF MOTOR, SHAFT TO ROTATE;
 CLOCKWISE WHEN PORT "A" IS PRESSURIZED
 COUNTERCLOCKWISE WHEN PORT "B" IS PRESSURIZED
 REVERSE: WHEN FACING SHAFT END OF MOTOR, SHAFT TO ROTATE;
 CLOCKWISE WHEN PORT "B" IS PRESSURIZED
 COUNTERCLOCKWISE WHEN PORT "A" IS PRESSURIZED
- 2 MOUNTING TYPE: S
 STANDARD 4 BOLT: Ø 82.6 [3.25] PILOT
 M12 X 1.75-6H TAPPED HOLES ON Ø 106.4 [4.19] BOLT CIRCLE