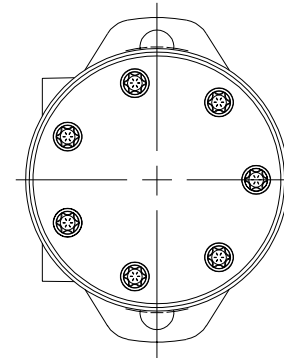
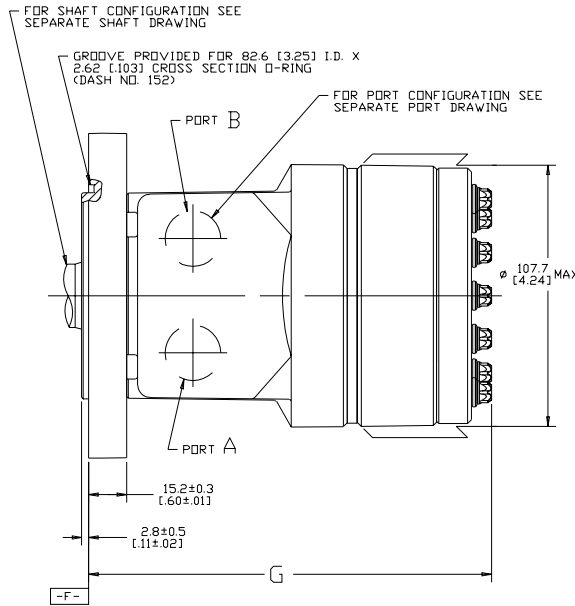
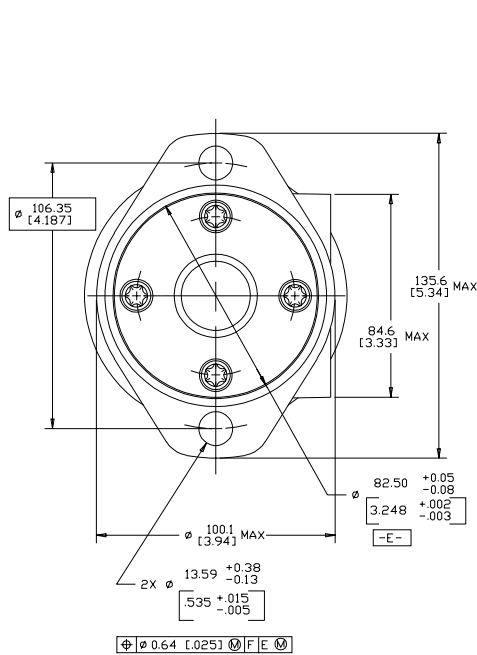


DISP. CODE	G	MAX
036	138.5	[5.45]
046	140.8	[5.54]
057	143.0	[5.63]
073	146.5	[5.77]
088	149.6	[5.89]
101	152.3	[6.00]
114	155.0	[6.10]
137	159.8	[6.29]
182	169.5	[6.67]
227	178.8	[7.04]

REV	DESCRIPTION	BY	CHK	DATE	ECN
A	ENGINEERING RELEASE	SMM		06-09-04	48257
B	(7C) MOUNTING TYPE WAS A,S	SSD		10/29/07	M71381
C	-1)(8C) WAS [31.4][5.17] MAX -2)(7B) WAS Ø 96.8 [3.81] MAX	SRM		04/07/04	ECR8166
D	(8D) UPDATED G MAX TAB	SSD		07/31/09	M76531
E	-1) (6C) WAS 133.9[5.34] MAX -2) (7B) WAS 98.3[3.87] MAX -3) (7B) WAS 2X Ø13.59±0.13[0.535±0.005] -4) (7B) WAS [Φ] 0.64 [0.025] [M] [F] [E] [M]	SSD		06/29/10	M79469
F	(8A) NOTE 3 WAS CASE DRAIN : 0..	TTV	CSG	04-08-16	0070053



NOTE

- ROTATION:
 - STANDARD: WHEN FACING SHAFT END OF MOTOR, SHAFT TO ROTATE CLOCKWISE WHEN PORT "A" IS PRESSURIZED COUNTERCLOCKWISE WHEN PORT "B" IS PRESSURIZED
 - REVERSE: WHEN FACING SHAFT END OF MOTOR, SHAFT TO ROTATE CLOCKWISE WHEN PORT "B" IS PRESSURIZED COUNTERCLOCKWISE WHEN PORT "A" IS PRESSURIZED
- MOUNTING FLANGE:
 - AA,AD = 2 BOLT STD: Ø82.6 [3.25] X 3.0 [1.2] PILOT Ø13.59 [0.535] MOUNTING HOLES ON Ø106.2 [4.18] B.C.
- CASE DRAIN:
 - 00 = NO CASE DRAIN

REVIEWED FOR CLASSIFICATION PER ESP-042

UNLESS OTHERWISE SPECIFIED ALL DIMENSIONS ARE IN		DRAWING BASED ON ANSI Y14.5M-1982	
INCHES <input type="checkbox"/>		EATON CORPORATION - CONFIDENTIAL AND PROPRIETARY	
MILLIMETERS <input checked="" type="checkbox"/>		NOTES TO PERSON RECEIVING THIS DRAWING	
TOLERANCES		AND ALL TECHNICAL INFORMATION	
X ± --	BROWN - SVM	THIS DRAWING IS THE PROPERTY OF EATON CORPORATION AND IS NOT TO BE REPRODUCED OR TRANSMITTED IN ANY FORM OR BY ANY MEANS, ELECTRONIC OR MECHANICAL, INCLUDING PHOTOCOPYING, RECORDING, OR BY ANY INFORMATION STORAGE AND RETRIEVAL SYSTEM, WITHOUT THE WRITTEN PERMISSION OF EATON CORPORATION. © 2009 EATON CORPORATION	
XX ± --	BY/DATE: 07-02-04	Eaton Hydraulics Inc. 1500 Lakeside Drive, Irvine, CA 92614	
XXX ± --	CHECKED AGJ	MATERIAL/HEAT TREAT	
CL ± --	BY/DATE: 07-06-04	---	
UNSPECIFIED RADI ARE:	ENGRG: JML	TITLE	
---	BY/DATE: 07-06-04	S MOTOR INSTALLATION	
UNSPECIFIED DRAFT ANGLES ARE:	MATERIAL: ---	NUMBER	
---	BY/DATE: ---	A-1470-001	
THIRD ANGLE PROJECTION	DO NOT SCALE	SCALE 1/1 SHEET 1 OF 1	