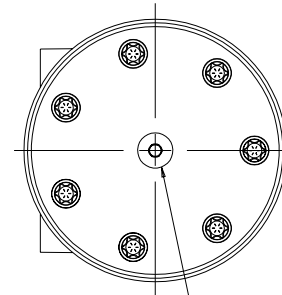
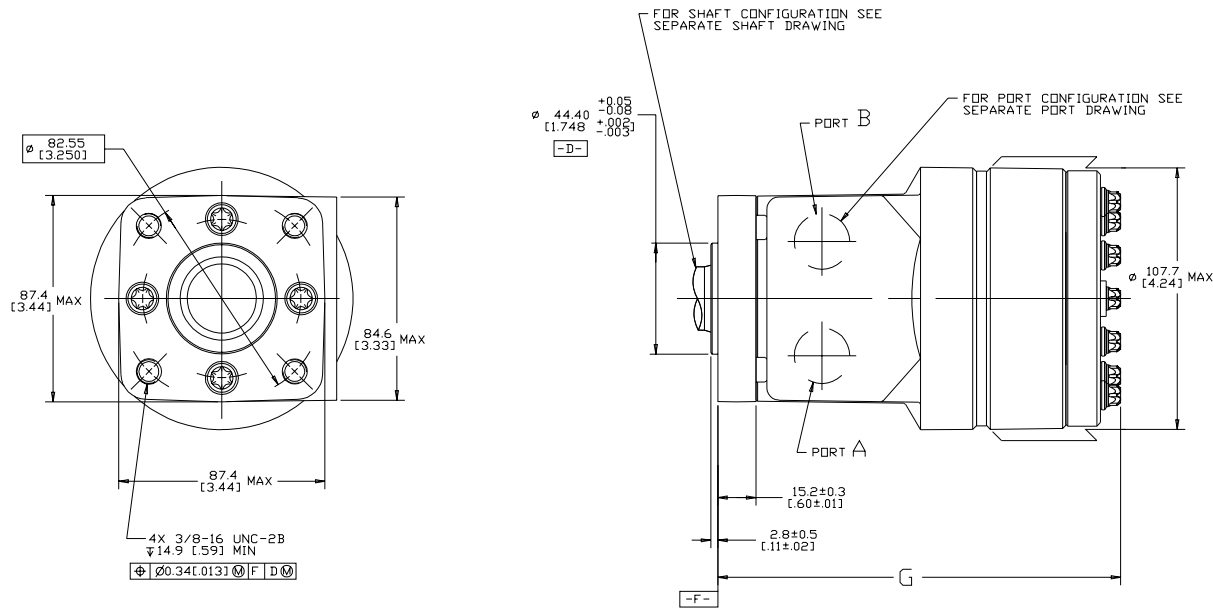


DISP. CODE	G	MAX
036	138.0	[5.43]
046	140.3	[5.52]
057	142.5	[5.61]
073	146.0	[5.75]
088	149.1	[5.87]
101	151.8	[5.98]
114	154.5	[6.08]
137	159.4	[6.28]
182	169.0	[6.66]
227	178.4	[7.02]

REV	DESCRIPTION	BY	CHK	DATE	ECN
A	ENGINEERING RELEASE	SMM		06-09-04	48257
B	-1(X8C) WAS 83.4X[3.28] MAX -2(X7B) WAS 83.4X[3.28] MAX	SRM		04-07-07	ECR8166
C	-1(X8D)DISPL. CODE UPDATED FOR 3 DIGIT -2(X7B)(X7C) DIM 87.4[3.44]MAX WAS 85.9[3.38]MAX -3(X7B)GD&T FRAME WAS ϕ 20.34[0.81] D ϕ F -4(X8A)NOTE 2 MOUNTING FLANGE CODE UPDATED	SKS		11-04-10	M80539
D	(8A) NOTE 3 WAS CASE DRAIN - 1...	TTV	CSG	04-08-16	0070053



7/16-20 UNF-2B SAE O-RING CASE DRAIN PORT WHEN REQUIRED, REMOVE O-RING PLUG DRAIN LINE MUST BE CONNECTED THRU 3.4 bar [50 lbf/in²] MIN CHECK VALVE TO RESERVOIR

- NOTE:
- ROTATION:
STANDARD: WHEN FACING SHAFT END OF MOTOR, SHAFT TO ROTATE CLOCKWISE WHEN PORT "A" IS PRESSURIZED COUNTERCLOCKWISE WHEN PORT "B" IS PRESSURIZED
REVERSE : WHEN FACING SHAFT END OF MOTOR, SHAFT TO ROTATE CLOCKWISE WHEN PORT "B" IS PRESSURIZED COUNTERCLOCKWISE WHEN PORT "A" IS PRESSURIZED
 - MOUNTING FLANGE:
BA,BD,BN = 4 BOLT STD: ϕ 44.4 [1.75] X 3.0 [1.2] PILOT, 3/8-16 MOUNTING HOLES ON ϕ 82.6 [3.25] BOLT CIRCLE
 - CASE DRAIN:
01 = 7/16-20 UNF-2B SAE O-RING PORT (END CAP)

REVIEWED FOR CLASSIFICATION PER ESP-042

UNLESS OTHERWISE SPECIFIED DIMENSIONS ARE IN INCHES <input type="checkbox"/> MILLIMETERS <input checked="" type="checkbox"/>		DRAWING BASED ON ANSI Y14.5M-1982	
TOLERANCES		EATON CORPORATION - CONFIDENTIAL AND PROPRIETARY NOTE TO PURCHASER RECEIVING THIS DRAWING: THIS DRAWING IS THE PROPERTY OF EATON CORPORATION AND IS NOT TO BE REPRODUCED OR TRANSMITTED IN ANY FORM OR BY ANY MEANS, ELECTRONIC OR MECHANICAL, INCLUDING PHOTOCOPYING, RECORDING, OR BY ANY INFORMATION STORAGE AND RETRIEVAL SYSTEM, WITHOUT THE WRITTEN PERMISSION OF EATON CORPORATION. AT 2010-08-01	
X .1	----	DATE	07-06-04
XX .01	----	DRAWN BY	SMM
XXX .005	----	BY DATE	07-06-04
UNSPECIFIED RADI ARE	----	DATE	07-06-04
UNSPECIFIED DRAFT ANGLES ARE	----	TITLE	S MOTOR INSTALLATION
DRAWING FORMAT CASE <input type="checkbox"/> MANUAL <input type="checkbox"/>	----	NUMBER	A-1470-102
THIRD ANGLE PROJECTION	<input checked="" type="checkbox"/>	SCALE	1/1
DO NOT SCALE	<input type="checkbox"/>	SHEET	1 OF 1