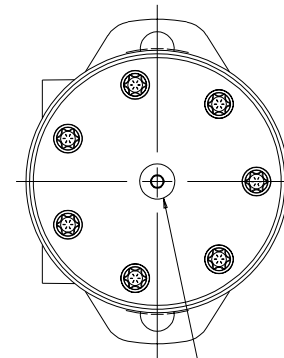
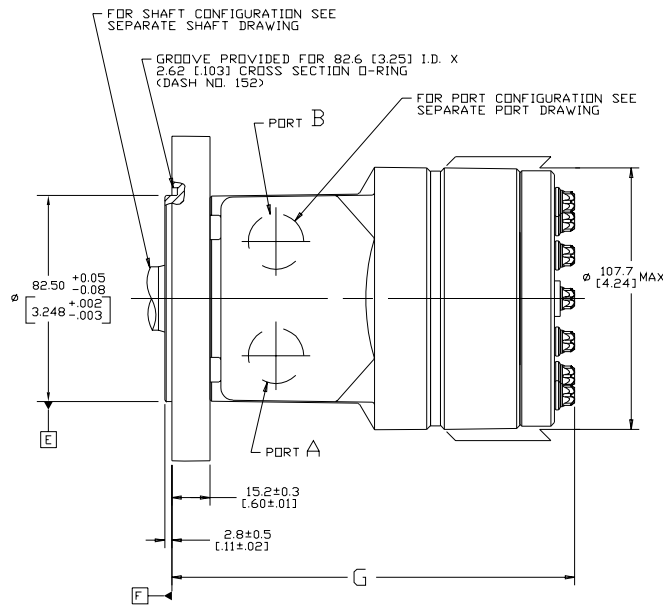
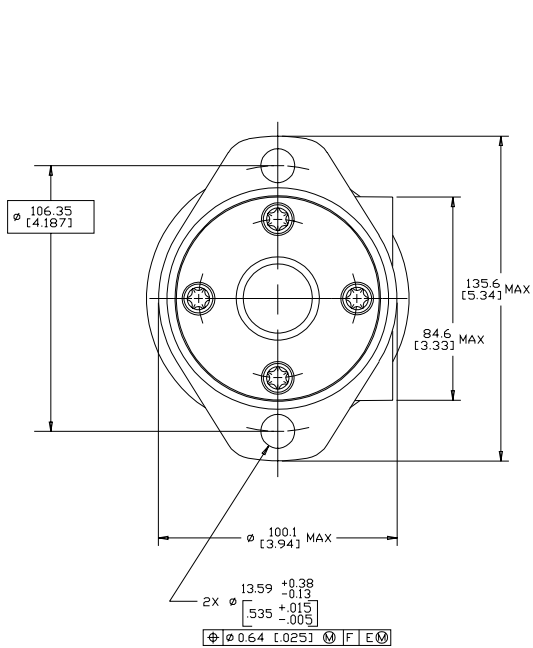


DISP. CODE	G	MAX
036	138.5	[5.45]
046	140.8	[5.54]
057	143.0	[5.63]
073	146.5	[5.77]
088	149.6	[5.89]
101	152.3	[6.00]
114	155.0	[6.10]
137	159.8	[6.29]
182	169.5	[6.67]
227	178.8	[7.04]

REV	DESCRIPTION	BY	CHK	DATE	ECN
A	ENGINEERING RELEASE	SMM		06-09-04	48257
B	-1X6C) WAS 131.4X[5.17] MAX -2X(7B) WAS Ø 96.8X[3.81] MAX	SRM		04-07-04	ECR8166
C	REVISED FOR ASSEMBLY STACKUP	AAB		07-21-11	M82810
D	(BA) NOTE 3 WAS CASE DRAIN - 1...	TTV	CSG	04-08-16	0070053



NOTE

- ROTATION:
 - STANDARD: WHEN FACING SHAFT END OF MOTOR, SHAFT TO ROTATE CLOCKWISE WHEN PORT "A" IS PRESSURIZED COUNTERCLOCKWISE WHEN PORT "B" IS PRESSURIZED
 - REVERSE: WHEN FACING SHAFT END OF MOTOR, SHAFT TO ROTATE COUNTERCLOCKWISE WHEN PORT "B" IS PRESSURIZED ROTATE CLOCKWISE WHEN PORT "A" IS PRESSURIZED
- MOUNTING FLANGE:
 - AA,AD = 2 BOLT STD. Ø82.6 [3.25] X 3.0 [1.2] PILDT
 - Ø13.59 [0.535] MOUNTING HOLES DN Ø106.2 [4.18] B.C.
- CASE DRAIN:
 - 01 = 7/16-20 UNF-2B SAE O-RING PORT (END CAP)

REVIEWED FOR CLASSIFICATION PER ESP-042

UNLESS OTHERWISE SPECIFIED DIMENSIONS ARE IN INCHES <input type="checkbox"/> MILLIMETERS <input checked="" type="checkbox"/>		DRAWING BASED ON ASME Y14.5M-1994	
TOLERANCES		EATON CORPORATION - CONFIDENTIAL AND PROPRIETARY NOTICE TO PERSONS RECEIVING THIS DRAWING AND / OR TECHNICAL INFORMATION THIS DRAWING, INCLUDING ALL DIMENSIONS AND SPECIFICATIONS, IS THE PROPERTY OF EATON CORPORATION AND IS NOT TO BE REPRODUCED OR TRANSMITTED IN ANY FORM OR BY ANY MEANS, ELECTRONIC OR MECHANICAL, INCLUDING PHOTOCOPYING, RECORDING, OR BY ANY INFORMATION STORAGE AND RETRIEVAL SYSTEM, WITHOUT THE WRITTEN PERMISSION OF EATON CORPORATION. ALL RIGHTS RESERVED.	
X	----	BY DATE	MATERIAL/HEAT TREAT
XX	----	BY DATE	
ZZ	----	BY DATE	
UNSPECIFIED RADI ARE	----	BY DATE	
UNSPECIFIED DRAFT ANGLES ARE	----	BY DATE	
D SIZE	----	BY DATE	
TITLE		S MOTOR INSTALLATION	
MICROFINISHES		NUMBER	
DO NOT SCALE		SCALE 1/1	
ARITHMETICAL AVERAGE		SHEET 1 OF 1	

A-1470-101