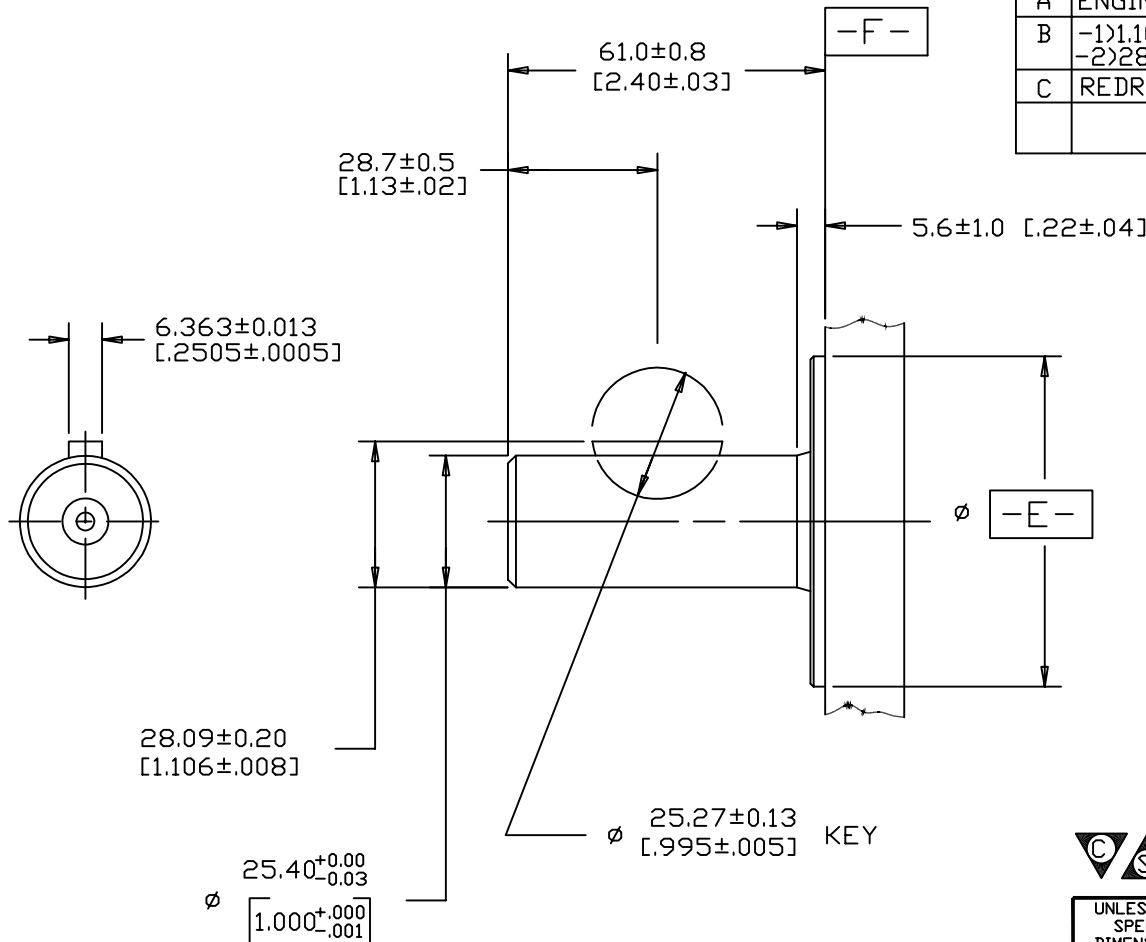


REV	DESCRIPTION	BY	CHK	DATE	ECN / MPS
A	ENGINEERING RELEASE	RLL	-	11-07-87	14736
B	-1) 1.106 ± .008 WAS ± .005 -2) 28.09 ± 0.20 WAS ± 0.13	RLL	-	11-07-87	14736
C	REDRAWN TO CURRENT STANDARD	SSD	-	08-23-10	M79835



28.09±0.20
[1.106±.008]

25.40^{+0.00}_{-0.03}
∅ [1.000^{+0.000}_{-0.001}]

⊙	∅ 0.26 [0.010]	E
⊥	0.08 [0.003]	F

OUTPUT SHAFT

11 = 25.4 [1.00] DIA. STRAIGHT WITH WOODRUFF KEY. 15.7 [0.62] EXTRA LENGTH.

REVIEWED FOR CLASSIFICATION PER ESP-042

UNLESS OTHERWISE SPECIFIED ALL DIMENSIONS ARE IN INCHES <input type="checkbox"/> MILLIMETERS [INCHES] <input checked="" type="checkbox"/>	DRAWING BASED ON ANSI Y14.5M-1982	
	EATON CORPORATION - CONFIDENTIAL AND PROPRIETARY NOTICE TO PERSONS RECEIVING THIS DRAWING AND / OR TECHNICAL INFORMATION	
TOLERANCES .X ± - .XX ± --- .XXX ± --- ∠ ± .0	DRAWN BY/DATE RLL 10-29-87	MATERIAL/HEAT TREAT -
	CHECKED BY/DATE ---	-
UNSPECIFIED RADII ARE: -	ENGRG BY/DATE ----	TITLE -
UNSPECIFIED DRAFT ANGLES ARE: -	METALLURGY BY/DATE ---	SHAFT INSTALLATION
B SIZE	THIRD ANGLE PROJECTION	NUMBER A-109-011
DO NOT SCALE	ARITHMETICAL AVERAGE <input checked="" type="checkbox"/>	SCALE 1/1 SHEET 1 OF 1

EATON
Powering Business Worldwide
Eaton Hydraulics Inc.
14615 Lone Oak Road
Eden Prairie, MN 55344
USA