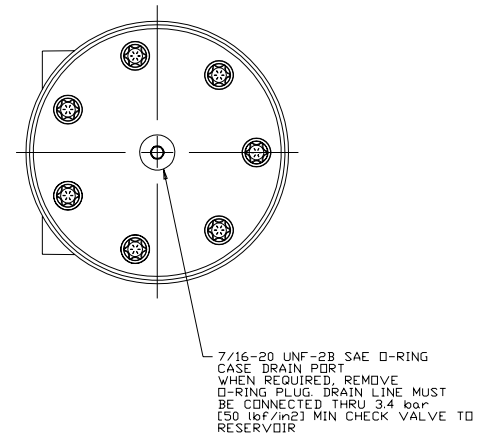
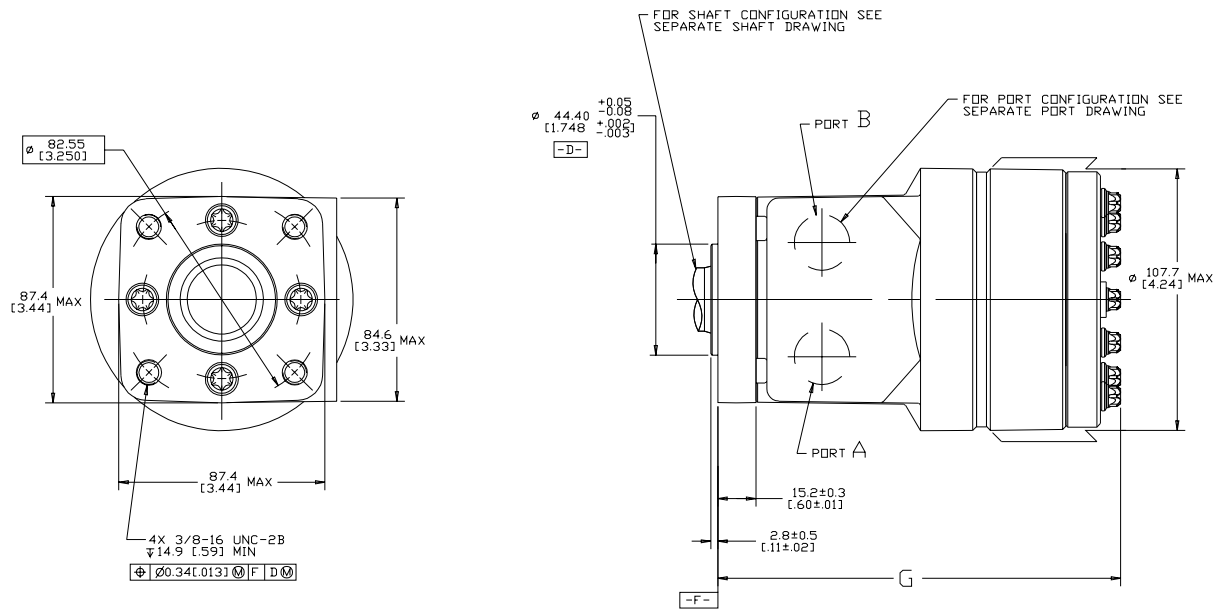


DISP. CODE	G	MAX
036	138.0	[5.43]
046	140.3	[5.52]
057	142.5	[5.61]
073	146.0	[5.75]
088	149.1	[5.87]
101	151.8	[5.98]
114	154.5	[6.08]
137	159.4	[6.28]
182	169.0	[6.66]
227	178.4	[7.02]

REV	DESCRIPTION	BY	CHK	DATE	ECN
A	ENGINEERING RELEASE	SMM		06-09-04	48257
B	-1(X8C) WAS 83.4X[3.28] MAX -2(X7B) WAS 83.4X[3.28] MAX	SRM		04-07-07	ECR8166
C	-1(X8D)DISPL. CODE UPDATED FOR 3 DIGIT -2(X7B)(X7C) DIM 87.4[3.44]MAX WAS 85.9[3.38]MAX -3(X7B)GD&T FRAME WAS $\phi$ 120.34[0.131]D $\phi$ F -4(X8A)NOTE 2 MOUNTING FLANGE CODE UPDATED	SKS		11-04-10	M80539
D	(8A) NOTE 3 WAS CASE DRAIN - 1...	TTV	CSG	04-08-16	0070053



NOTE:

1 ROTATION:  
STANDARD: WHEN FACING SHAFT END OF MOTOR, SHAFT TO ROTATE CLOCKWISE WHEN PORT "A" IS PRESSURIZED COUNTERCLOCKWISE WHEN PORT "B" IS PRESSURIZED  
REVERSE : WHEN FACING SHAFT END OF MOTOR, SHAFT TO ROTATE CLOCKWISE WHEN PORT "B" IS PRESSURIZED COUNTERCLOCKWISE WHEN PORT "A" IS PRESSURIZED

2 MOUNTING FLANGE:  
BA,BD,BN = 4 BOLT STD:  $\phi$  44.4 [1.75] X 3.0 [1.2] PILOT, 3/8-16 MOUNTING HOLES ON  $\phi$  82.6 [3.25] BOLT CIRCLE

3 CASE DRAIN:  
01 = 7/16-20 UNF-2B SAE D-RING PORT (END CAP)

REVIEWED FOR CLASSIFICATION PER ESP-042

UNLESS OTHERWISE SPECIFIED, DIMENSIONS ARE IN INCHES <input type="checkbox"/> MILLIMETERS <input checked="" type="checkbox"/>	DRAWING BASED ON ANSI Y14.5M-1982	
TOLERANCES	EATON CORPORATION - CONFIDENTIAL AND PROPRIETARY NOTE TO PURCHASER RECEIVING THIS DRAWING: THIS DRAWING IS THE PROPERTY OF EATON CORPORATION. IT IS TO BE USED ONLY FOR THE PURPOSES SPECIFIED IN THE ORDER. IT IS NOT TO BE REPRODUCED, COPIED, OR TRANSMITTED IN ANY FORM OR BY ANY MEANS, ELECTRONIC OR MECHANICAL, INCLUDING PHOTOCOPYING, RECORDING, OR BY ANY INFORMATION STORAGE AND RETRIEVAL SYSTEM, WITHOUT THE WRITTEN PERMISSION OF EATON CORPORATION. AT 2010-08-01	
X 1.0000 XX 0.0000 XXX 0.0000	BY DATE SMM 07-02-04 CSG 07-06-04	MATERIAL/HEAT TREAT
UNSPECIFIED RADI ARE --- METALLURGY --- BY DATE	DATE: 07-06-04	TITLE S MOTOR INSTALLATION
UNSPECIFIED DRAFT ANGLES ARE --- THIRD ANGLE PROJECTION	UNSPECIFIED DIMENSIONS ARE --- DO NOT SCALE	NUMBER A-1470-102
DRAWING FORMAT CASE <input checked="" type="checkbox"/> MANUAL <input type="checkbox"/>	SCALE 1/1	SHEET 1 OF 1