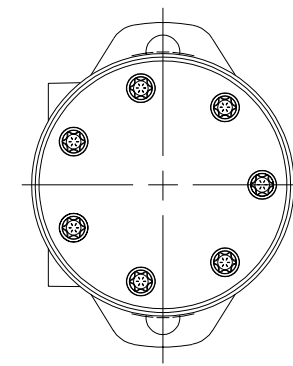
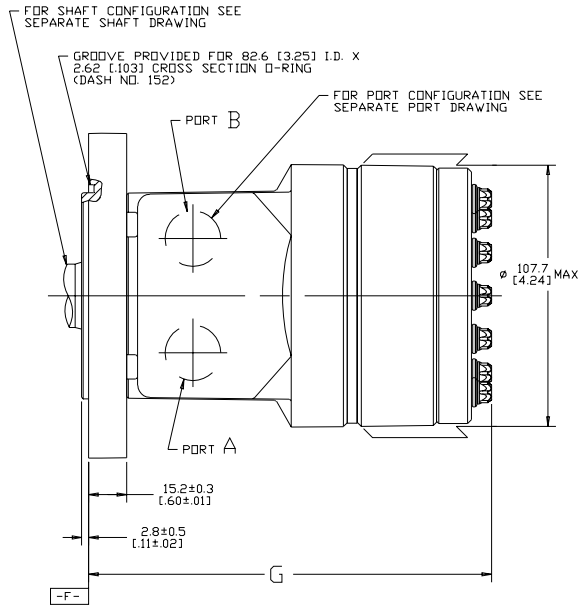
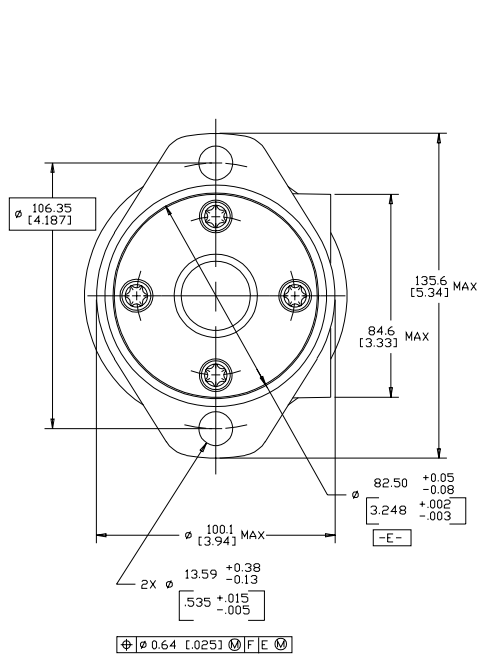


DISP. CODE	G	MAX
036	138.5	[5.45]
046	140.8	[5.54]
057	143.0	[5.63]
073	146.5	[5.77]
088	149.6	[5.89]
101	152.3	[6.00]
114	155.0	[6.10]
137	159.8	[6.29]
182	169.5	[6.67]
227	178.8	[7.04]

REV	DESCRIPTION	BY	CHK	DATE	ECN
A	ENGINEERING RELEASE	SMM		06-09-04	48257
B	(7C) MOUNTING TYPE WAS A,S	SSD		10/29/07	M71381
C	-1(X8C) WAS [31.4\{5.17\} MAX -2(X7B) WAS Ø 96.8\{3.81\} MAX	SRM		04/07/04	ECR8166
D	(8D) UPDATED G MAX TAB	SSD		07/31/09	M76531
E	-1) (6C) WAS 133.9\{5.34\} MAX -2) (7B) WAS 98.3\{3.87\} MAX -3) (7B) WAS 2X Ø13.59±0.13\{0.535±0.005\} -4) (7B) WAS [Ø 0.64 [0.025] [F] [E] [M]	SSD		06/29/10	M79469
F	(8A) NOTE 3 WAS CASE DRAIN : 0..	TTV	CSG	04-08-16	0070053



NOTE

1 ROTATION:
 STANDARD: WHEN FACING SHAFT END OF MOTOR, SHAFT TO ROTATE CLOCKWISE WHEN PORT "A" IS PRESSURIZED COUNTERCLOCKWISE WHEN PORT "B" IS PRESSURIZED
 REVERSE : WHEN FACING SHAFT END OF MOTOR, SHAFT TO ROTATE CLOCKWISE WHEN PORT "B" IS PRESSURIZED COUNTERCLOCKWISE WHEN PORT "A" IS PRESSURIZED

2 MOUNTING FLANGE:
 AA,AD = 2 BOLT STD: Ø82.6 [3.25] X 3.0 [1.12] PILOT Ø13.59 [0.535] MOUNTING HOLES ON Ø106.2 [4.18] B.C.

3 CASE DRAIN:
 00 = NO CASE DRAIN

REVIEWED FOR CLASSIFICATION PER ESP-042

DRAWING BASED ON ANSI Y14.5M-1982

UNLESS OTHERWISE SPECIFIED ALL DIMENSIONS ARE IN INCHES MILLIMETERS

TOLERANCES

X	±	--
XX	±	--
XXX	±	--
CL	±	--

UNSPECIFIED RADI ARE: R/VAL/US R/VAL/INT R/VAL/EXT

UNSPECIFIED DRAFT ANGLES ARE: THIRD ANGLE PROJECTION DO NOT SCALE

REVISIONS

NO.	DATE	DESCRIPTION
1	07-02-04	BROWN - SMM
2	07-06-04	BY/DATE
3	07-06-04	CHECKED AGJ
4	07-06-04	BY/DATE
5	07-06-04	ENGR. JML
6	07-06-04	BY/DATE

MATERIAL/HEAT TREAT

TITLE: S MOTOR INSTALLATION

NUMBER: A-1470-001

SCALE: 1/1 SHEET 1 OF 1

DATE: 07-06-04

BY: JML

CHECKED: AGJ

ENGR: JML

BY: JML

DATE: 07-06-04

REVISIONS

NO. DATE DESCRIPTION

1 07-02-04 BROWN - SMM

2 07-06-04 BY/DATE

3 07-06-04 CHECKED AGJ

4 07-06-04 BY/DATE

5 07-06-04 ENGR. JML

6 07-06-04 BY/DATE

MATERIAL/HEAT TREAT

TITLE: S MOTOR INSTALLATION

NUMBER: A-1470-001

SCALE: 1/1 SHEET 1 OF 1