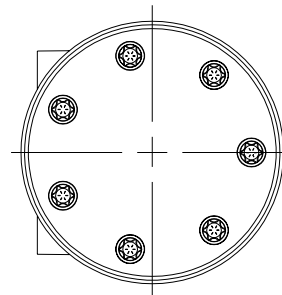
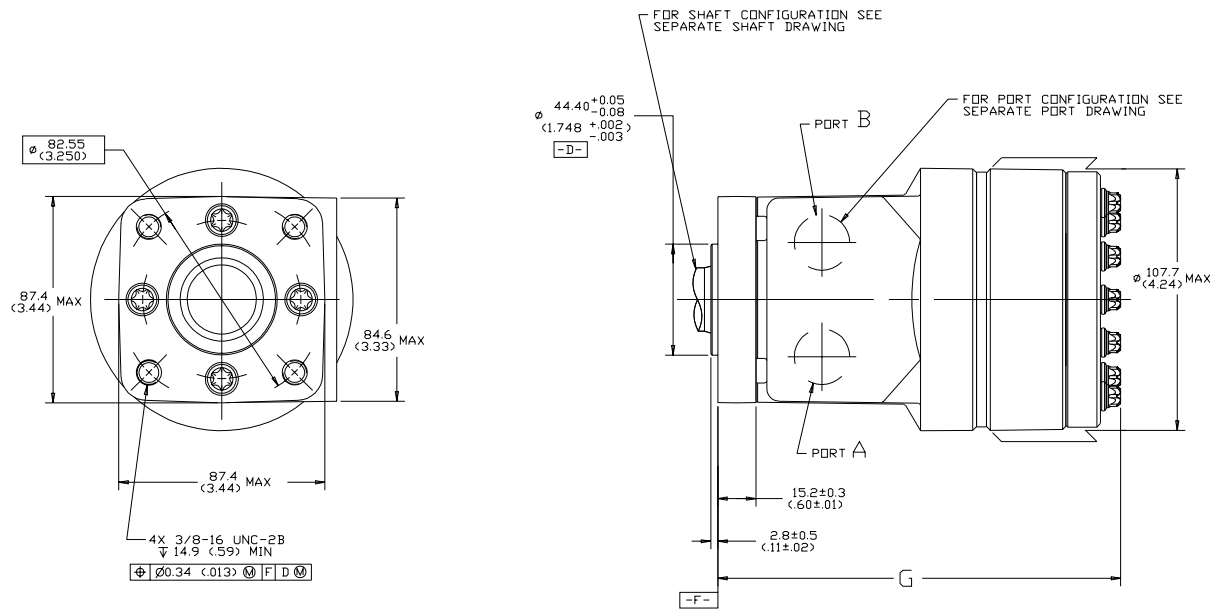


DISP. CODE	G	MAX
036	138.0	(5.43)
046	140.3	(5.52)
057	142.5	(5.61)
073	146.0	(5.75)
088	149.1	(5.87)
101	151.8	(5.98)
114	154.5	(6.08)
137	159.4	(6.28)
182	169.0	(6.66)
227	178.4	(7.02)

REV	DESCRIPTION	BY	CHK	DATE	ECN
A	ENGINEERING RELEASE	SMM		06-09-04	48257
B	(BA) MOUNTING TYPE WAS B,R	PRM		01-17-08	M71956
C	-1(XC) WAS 83.4\ (3.28) MAX -2(X7B) WAS 83.4\ (3.28) MAX	SRM		04-07-04	ECR8166
D	REVISED	CSG	SSD	04-15-10	M78900
E	(BA) NOTE 3 WAS CASE DRAIN -0 ...	TTV	CSG	04-08-16	0070053



NOTE:

1 ROTATION:
STANDARD: WHEN FACING SHAFT END OF MOTOR, SHAFT TO ROTATE CLOCKWISE WHEN PORT "A" IS PRESSURIZED COUNTERCLOCKWISE WHEN PORT "B" IS PRESSURIZED
REVERSE : WHEN FACING SHAFT END OF MOTOR, SHAFT TO ROTATE CLOCKWISE WHEN PORT "B" IS PRESSURIZED COUNTERCLOCKWISE WHEN PORT "A" IS PRESSURIZED

2 MOUNTING FLANGE:
BA,BD,BN = 4 BOLT STD: $\phi 44.4$ (1.75) X 3.0 (1.2) PILOT, .375-16 UNC-2B MOUNTING HOLES ON $\phi 82.6$ (3.25) BOLT CIRCLE

3 CASE DRAIN:
00 = NO CASE DRAIN

REVIEWED FOR CLASSIFICATION PER ESP-042

UNLESS OTHERWISE DIMENSIONS ARE IN INCHES <input type="checkbox"/> MILLIMETERS <input checked="" type="checkbox"/>	DRAWING BASED ON ANSI Y14.5M-1982	
TOLERANCES	EATON CORPORATION - CONFIDENTIAL AND PROPRIETARY NOTICE TO PURCHASER RECEIVING THIS DRAWING THIS DRAWING IS THE PROPERTY OF EATON CORPORATION AND IS NOT TO BE REPRODUCED OR TRANSMITTED IN ANY FORM OR BY ANY MEANS, ELECTRONIC OR MECHANICAL, INCLUDING PHOTOCOPYING, RECORDING, OR BY ANY INFORMATION STORAGE AND RETRIEVAL SYSTEM. WITHOUT THE WRITTEN PERMISSION OF EATON CORPORATION, ALL RIGHTS ARE RESERVED.	
xx + REF	DRW: SMM 07-02-04	MATERIAL/HEAT TREAT
xx + ONLY	DATE: 07-06-04	
UNSPECIFIED RADI ARE	ENGR: JML 07-06-04	TITLE
UNSPECIFIED DRAFT ANGLES ARE	METALLURGY: ---	S MOTOR INSTALLATION
D SIZE	DO NOT SCALE	NUMBER A-1470-002
		SCALE 1/1 SHEET 1 OF 1