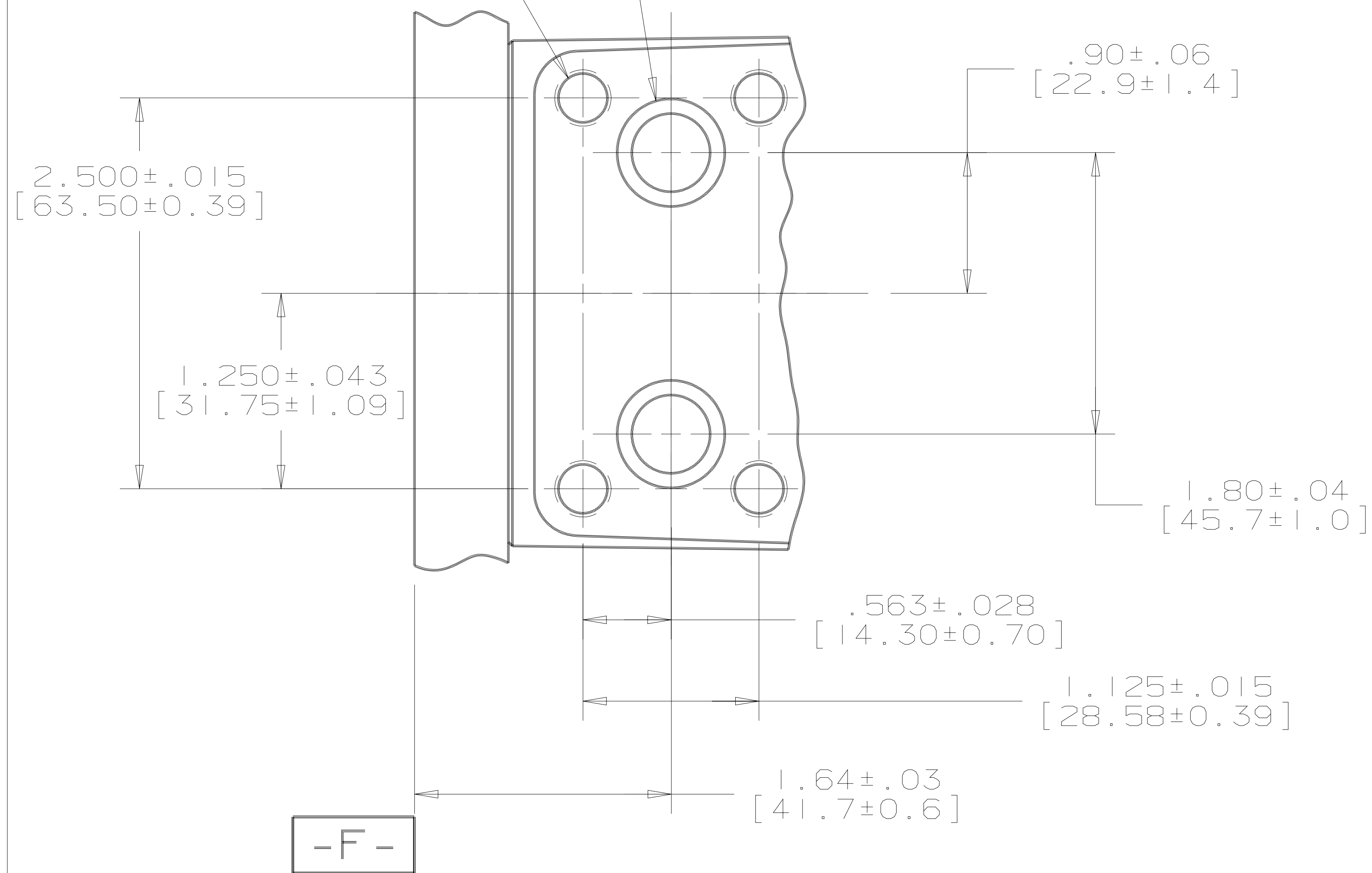


.3125-18UNC-2B X
.50/12,7 MIN. DP.
FOUR

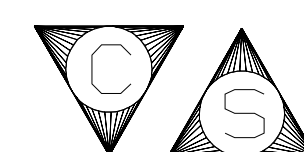
GROOVE PROVIDED FOR .487/12,37 I.D.
X .103/2,62 CROSS SECTION O-RING
(DASH NO. 112) TWO



MOTOR CENTERLINE

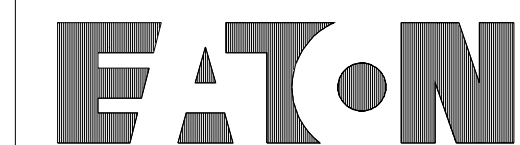
SYM	REVISION	BY	DATE	ECN
A	ENGINEERING RELEASE	DK	11-10-87	14736
B	PORT CALLOUT WAS O-RING PORT FOR .688/17,48 O.D. X .094/2,39 SEC. O-RING TWO	JLK	5-3-88	15336
C	ADDED L TO NOTE 1	GCB	5-4-93	24014
D	-1)PORT TYPE OPTION WAS C OR L -2)REMOVED PORT TYPE L	SSD	3-27-07	0004356
E	REVISED	VBH	6-11-09	M76183

NOTE
1 PORT TYPE AC



REVIEWED FOR CLASSIFICATION PER ESP-042

UNLESS OTHERWISE SPECIFIED ALL DIMENSIONS ARE IN INCHES <input type="checkbox"/> INCHES [MILLIMETERS] <input checked="" type="checkbox"/>		DRAWING BASED ON ANSI Y14.5M-1982	
TOLERANCES .X ± --- .XX ± REF .XXX ± ONLY ∠ ± -- °		EATON CORPORATION - CONFIDENTIAL AND PROPRIETARY NOTICE TO PERSONS RECEIVING THIS DRAWING AND / OR TECHNICAL INFORMATION THIS DOCUMENT, INCLUDING THE DRAWING AND INFORMATION CONTAINED THEREON, IS CONFIDENTIAL AND IS THE EXCLUSIVE PROPERTY OF EATON CORPORATION, AND IS MERELY ON LOAN AND SUBJECT TO RECALL BY EATON AT ANY TIME. BY TAKING POSSESSION OF THIS DOCUMENT, THE RECIPIENT ACKNOWLEDGES AND AGREES THAT THIS DOCUMENT CANNOT BE USED IN ANY MANNER ADVERSE TO THE INTERESTS OF EATON, AND THAT NO PORTION OF THIS DOCUMENT MAY BE COPIED OR OTHERWISE REPRODUCED WITHOUT THE PRIOR WRITTEN CONSENT OF EATON. IN THE CASE OF CONFLICTING CONTRACTUAL PROVISIONS, THIS NOTICE SHALL GOVERN THE STATUS OF THIS DOCUMENT. COPYRIGHT 2008 EATON CORPORATION - ALL RIGHTS RESERVED.	
UNSPECIFIED RADII ARE: -----		DRAWN DK BY/DATE 11-18-87 CHECKED --- BY/DATE --- ENGRG --- BY/DATE --- METALLURGY --- BY/DATE ---	MATERIAL/HEAT TREAT --- TITLE PORT INSTALLATION
UNSPECIFIED DRAFT ANGLES ARE: ----- °		<input checked="" type="checkbox"/> MICROINCHES <input type="checkbox"/> MICROMETERS 250 <input checked="" type="checkbox"/> ARITHMETICAL AVERAGE	NUMBER A-110-003 SCALE 1/1 SHEET 1 OF 1
B SIZE		DO NOT SCALE	



Powering Business Worldwide
Eaton Hydraulics Inc.
14615 Lone Oak Road
Eden Prairie, MN 55344
USA