

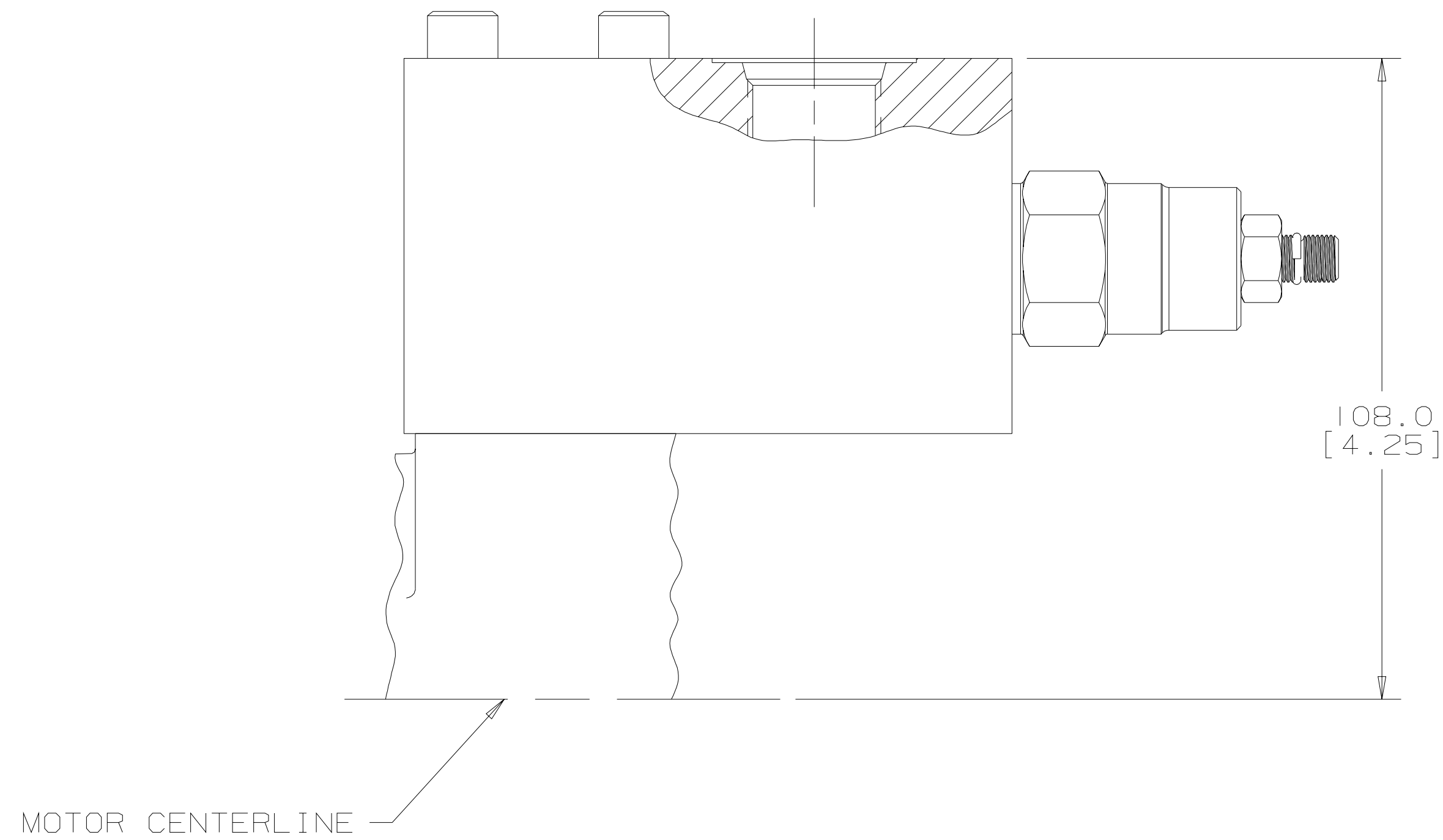
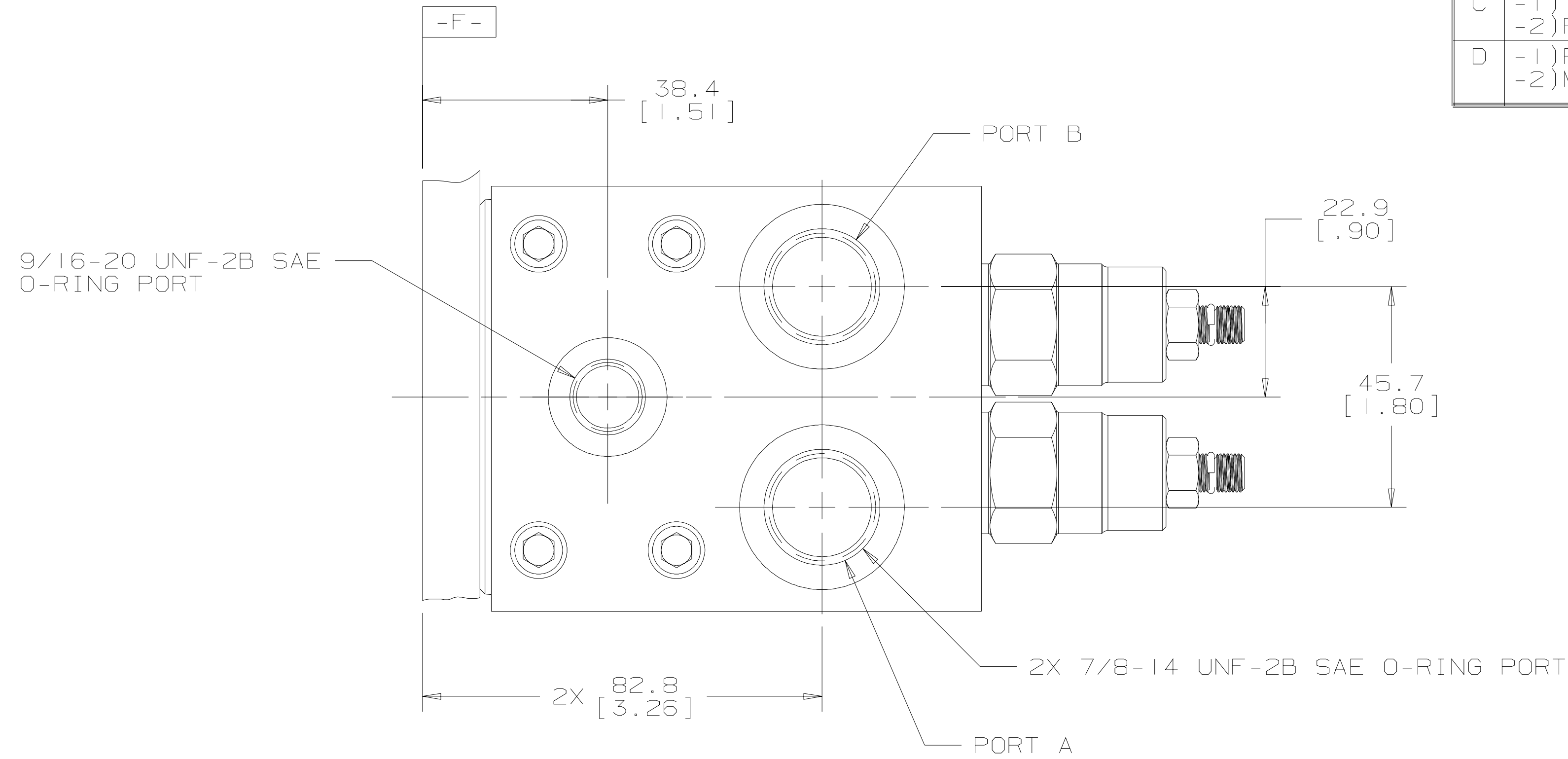
4

3

2

1


REV	DESCRIPTION	BY	CHK	DATE	ECN
A	ENGINEERING RELEASE	RAF	GCB	5-19-97	MI 7528
B	REVISED PICTORIALY	JMS		6-7-99	32894
C	-1) (2B) 108.0 [4.25] WAS 95.3 [3.75] -2) REVISED PICTORIALY	AGJ		11-17-03	46014
D	-1) PORT TYPE OPTION WAS "A" -2) MOUNTING TYPE OPTION WAS "H"	SSD		03-27-07	0004-356



NOTE

- 1 PORT TYPE: OPTION AA
- 2 MOUNTING TYPE: OPTION DD

S G M

UNLESS OTHERWISE SPECIFIED ALL DIMENSIONS ARE IN INCHES <input type="checkbox"/> MILLIMETERS <input checked="" type="checkbox"/>		DRAWING BASED ON ANSI Y14.5M-1982	
TOLERANCES .X ± ---- .XX ± ---- .XXX ± ---- ∠ ± ----		THE REPRODUCTION, DISTRIBUTION, AND UTILIZATION OF THIS DOCUMENT, AS WELL AS THE COMMUNICATION OF ITS CONTENTS TO OTHERS WITHOUT EXPLICIT AUTHORIZATION IS PROHIBITED. OFFENDERS WILL BE HELD LIABLE FOR THE PAYMENT OF DAMAGES. ALL RIGHTS RESERVED IN THE EVENT OF THE GRANT OF A PATENT, UTILITY MODEL, OR DESIGN. (PER ISO 16016)	
UNSPECIFIED RADII ARE ----		DRAWN BY/DATE RAF 6-3-97	MATERIAL/HEAT TREAT
UNSPECIFIED DRAFT ANGLES ARE ----		CHECKED BY/DATE GCB 6-5-97	
DRAWING FORMAT CADD <input checked="" type="checkbox"/> MANUAL <input type="checkbox"/>		ENGRG BY/DATE RJE 6-9-97	
		METALLURGY BY/DATE	NUMBER A-110-039
		THIRD ANGLE PROJECTION	SCALE 1/1 SHEET 1 OF 1
		DO NOT SCALE	ARITHMETICAL AVERAGE

4

3

2

1