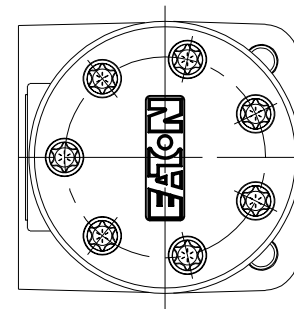
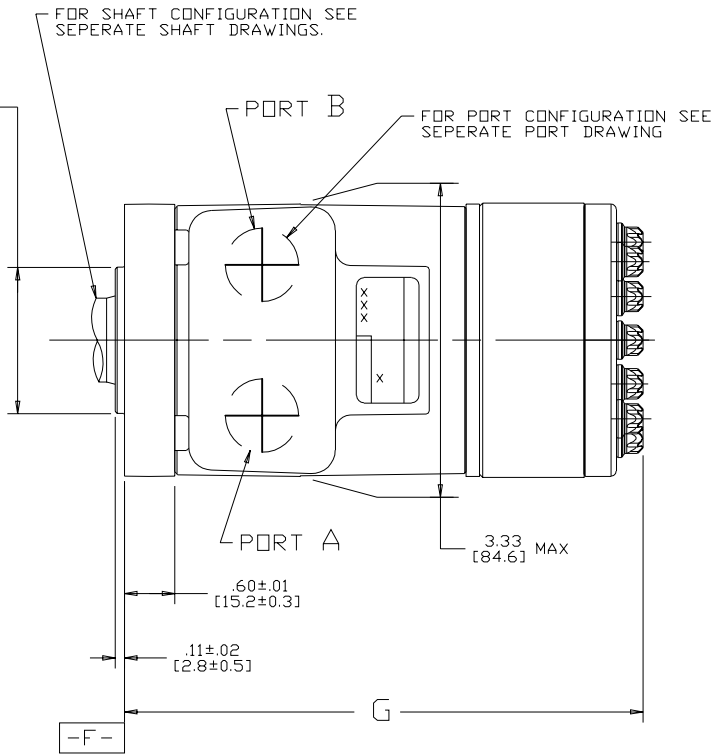
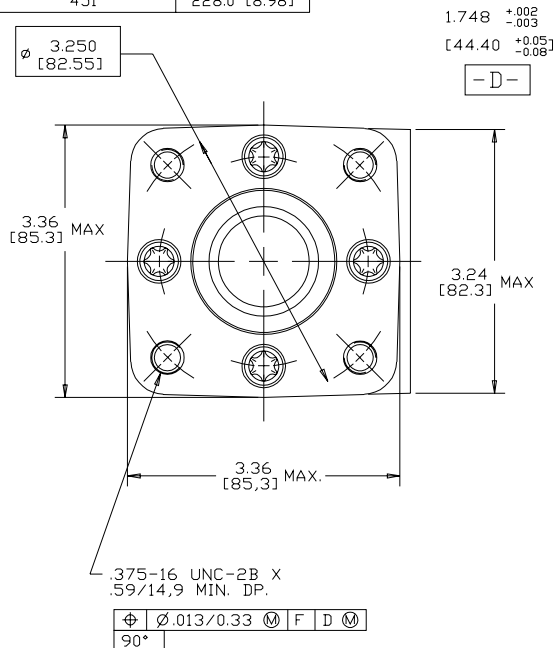


DISPLACEMENT CODE	G MAX
022	132.7 [5.22]
025	133.5 [5.26]
028	132.7 [5.22]
035	136.5 [5.37]
045	136.5 [5.37]
059	139.5 [5.49]
073	142.8 [5.62]
089	146.4 [5.76]
097	148.2 [5.84]
113	151.7 [5.97]
141	158.1 [6.22]
179	166.7 [6.56]
226	177.1 [6.97]
451	228.0 [8.98]

SYM	REVISION	BY	DATE	ECN
A	ENGINEERING RELEASE	RLL	11-10-87	14736
E	REVISED	JMM	9-15-94	25972
F	-1(X4C) WAS 3.28/83.4 MAX -2(X4B) WAS 3.28/83.4 MAX	SJP	04-07-04	46856
G	REVISED	VBH	6-11-09	M76183
H	-1)REVISED PICTORIALY -2(X4D)UPDATED TABULATION FOR G MAX -3)UPDATED NOTE 2 AS PER ESP-022-69	AAB	02-17-14	0054755
J	(1C)ADDED EATON LOGO TO END CAP	AAB	01-22-15	0061684
K	(3A) NOTE 3 WAS CASE DRAIN : 0...	JVD	07-27-15	0065202



**NOTE:**

- ROTATION:**  
STANDARD; WHEN FACING SHAFT END OF MOTOR, SHAFT TO ROTATE CLOCKWISE WHEN PORT "A" IS PRESSURIZED. COUNTERCLOCKWISE WHEN PORT "B" IS PRESSURIZED.  
REVERSE; WHEN FACING SHAFT END OF MOTOR, SHAFT TO ROTATE CLOCKWISE WHEN PORT "B" IS PRESSURIZED. COUNTERCLOCKWISE WHEN PORT "A" IS PRESSURIZED.
- MOUNTING FLANGE:**  
BA = 4 BOLT STD: 44.40 [1.748] DIA. X 3.05 [1.20] PILOT,  
.375-16 MOUNTING HOLES ON 82.55 [3.250] DIA. B.C.
- CASE DRAIN:**  
00 = NO CASE DRAIN



REVIEWED FOR CLASSIFICATION PER ESP-042

UNLESS OTHERWISE SPECIFIED ALL DIMENSIONS ARE IN INCHES (MILLIMETERS) <input type="checkbox"/>		DRAWING BASED ON ANSI Y14.5M-1982	
TOLERANCES		EATON CORPORATION - CONFIDENTIAL AND PROPRIETARY NOTICE TO PERSONS RECEIVING THIS DRAWING AND / OR TECHNICAL INFORMATION	
.X ± ---	INCHES <input type="checkbox"/>	THE COMPANY HEREBY DISCLAIMS ANY AND ALL WARRANTIES, EXPRESS AND IMPLIED, INCLUDING BUT NOT LIMITED TO, THE WARRANTY OF MERCHANTABILITY AND FITNESS FOR A PARTICULAR PURPOSE. THE COMPANY SHALL NOT BE LIABLE FOR ANY DAMAGES, INCLUDING REASONABLE ATTORNEY'S FEES, ARISING OUT OF OR FROM THIS DRAWING OR ANY TECHNICAL INFORMATION, ACTING OR OTHERWISE, IN ANY MANNER.	
.XX ± REF	BY/DATE 10-22-87	Powering Business Worldwide Eaton Hydraulics, LLC 14415 Lone Oak Road Eden Prairie, MN 55344 USA	
.XXX ± ONLY	CHECKED KO BY/DATE 1-18-88	MATERIAL/HEAT TREAT ----	
∠ ± ---*	ENGR WCW BY/DATE 1-18-88	TITLE H MOTOR INSTALLATION	
UNSPECIFIED RADII ARE: ----	METALLURGY ----	NUMBER A-37-316	
UNSPECIFIED DRAFT ANGLES ARE: ----*	THIRD ANGLE PROJECTION	SCALE 1/1 SHEET 1 OF 1	
C SIZE	DO NOT SCALE	ARITHMETICAL AVERAGE	