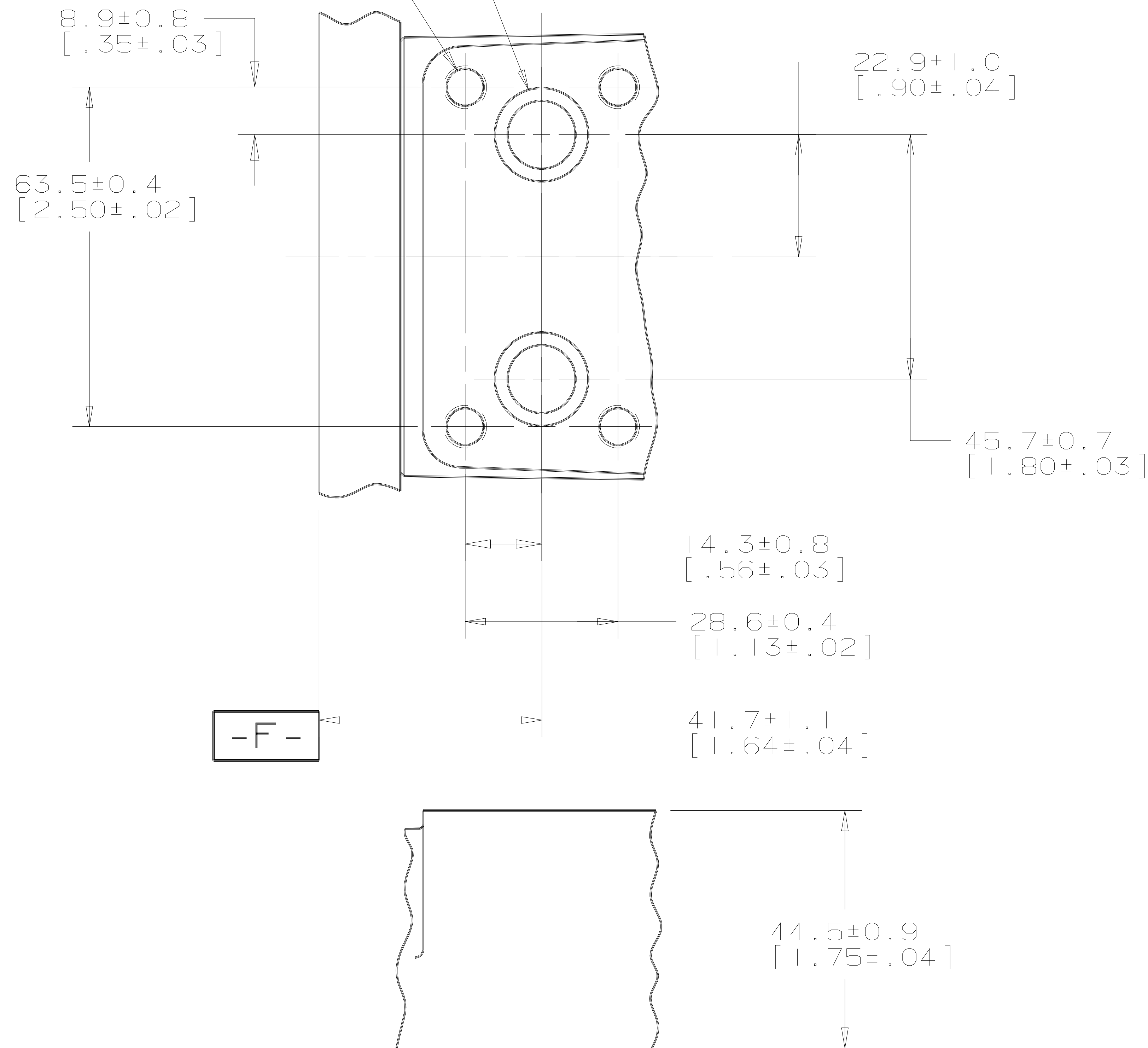


4X M8 X 1.25-6H X 12.7[.50] MIN.  $\nabla$

2X GROOVE PROVIDED FOR 12.37[.487] I.D. X 2.62[.103] CROSS SECTION O-RING (DASH NO. 112)

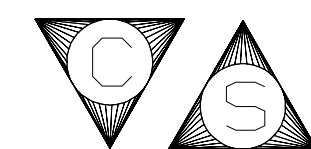


-F-

SYM	REVISION	BY	DATE	ECN
A	RELEASED FOR SAMPLES AND ESTIMATES	DK	11-10-87	14736
E	REVISED	SSD	09-18-09	M76973

PORT TYPE

AD = MANIFOLD PORTS (M8 X 1.25-6H MOUNTING HOLES)



REVIEWED FOR CLASSIFICATION PER ESP-042

UNLESS OTHERWISE SPECIFIED ALL DIMENSIONS ARE IN INCHES <input type="checkbox"/> MILLIMETERS [INCHES] <input checked="" type="checkbox"/>	DRAWING BASED ON ANSI Y14.5M-1982	
	EATON CORPORATION - CONFIDENTIAL AND PROPRIETARY NOTICE TO PERSONS RECEIVING THIS DRAWING AND / OR TECHNICAL INFORMATION <small>THIS DOCUMENT, INCLUDING THE DRAWING AND INFORMATION CONTAINED THEREON, IS CONFIDENTIAL AND IS THE EXCLUSIVE PROPERTY OF EATON CORPORATION, AND IS MERELY ON LOAN AND SUBJECT TO RECALL BY EATON AT ANY TIME. BY TAKING POSSESSION OF THIS DOCUMENT, THE RECIPIENT ACKNOWLEDGES AND AGREES THAT THIS DOCUMENT CANNOT BE USED IN ANY MANNER ADVERSE TO THE INTERESTS OF EATON, AND THAT NO PORTION OF THIS DOCUMENT MAY BE COPIED OR OTHERWISE REPRODUCED WITHOUT THE PRIOR WRITTEN CONSENT OF EATON. IN THE CASE OF CONFLICTING CONTRACTUAL PROVISIONS, THIS NOTICE SHALL GOVERN THE STATUS OF THIS DOCUMENT.</small> COPYRIGHT 2008 EATON CORPORATION - ALL RIGHTS RESERVED.	
TOLERANCES .X ± --- .XX ± --- .XXX ± --- ∅ ± ---°	DRAWN DK BY/DATE 11-18-87	MATERIAL/HEAT TREAT -
UNSPECIFIED RADII ARE: -----	CHECKED KO BY/DATE 1-26-88	TITLE PORT INSTALLATION
UNSPECIFIED DRAFT ANGLES ARE: -----°	ENGRG WCW BY/DATE 1-27-88	
B SIZE	THIRD ANGLE PROJECTION DO NOT SCALE	NUMBER A-110-004
	ARITHMETICAL AVERAGE <input checked="" type="checkbox"/>	SCALE 1/1 SHEET 1 OF 1

