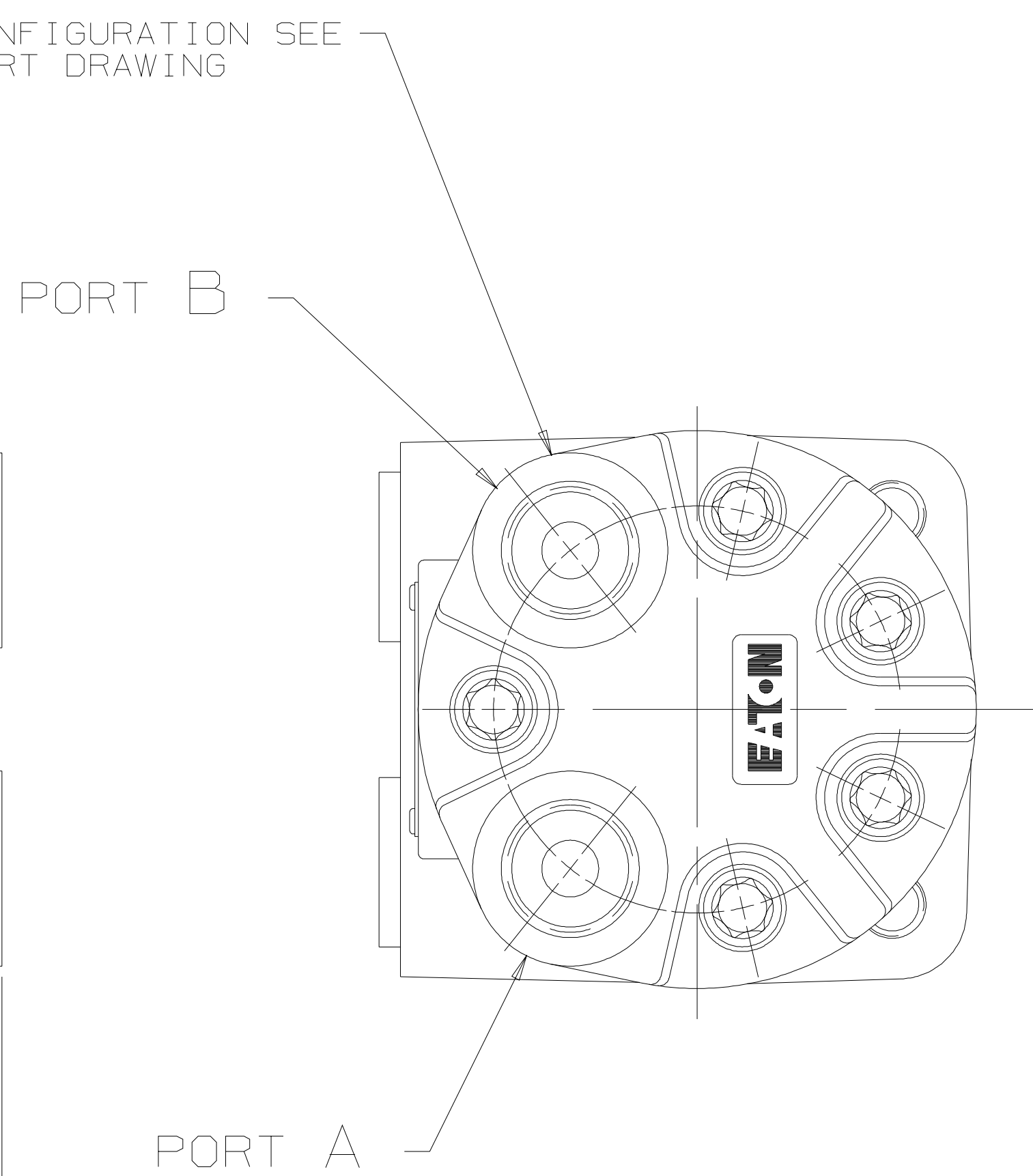
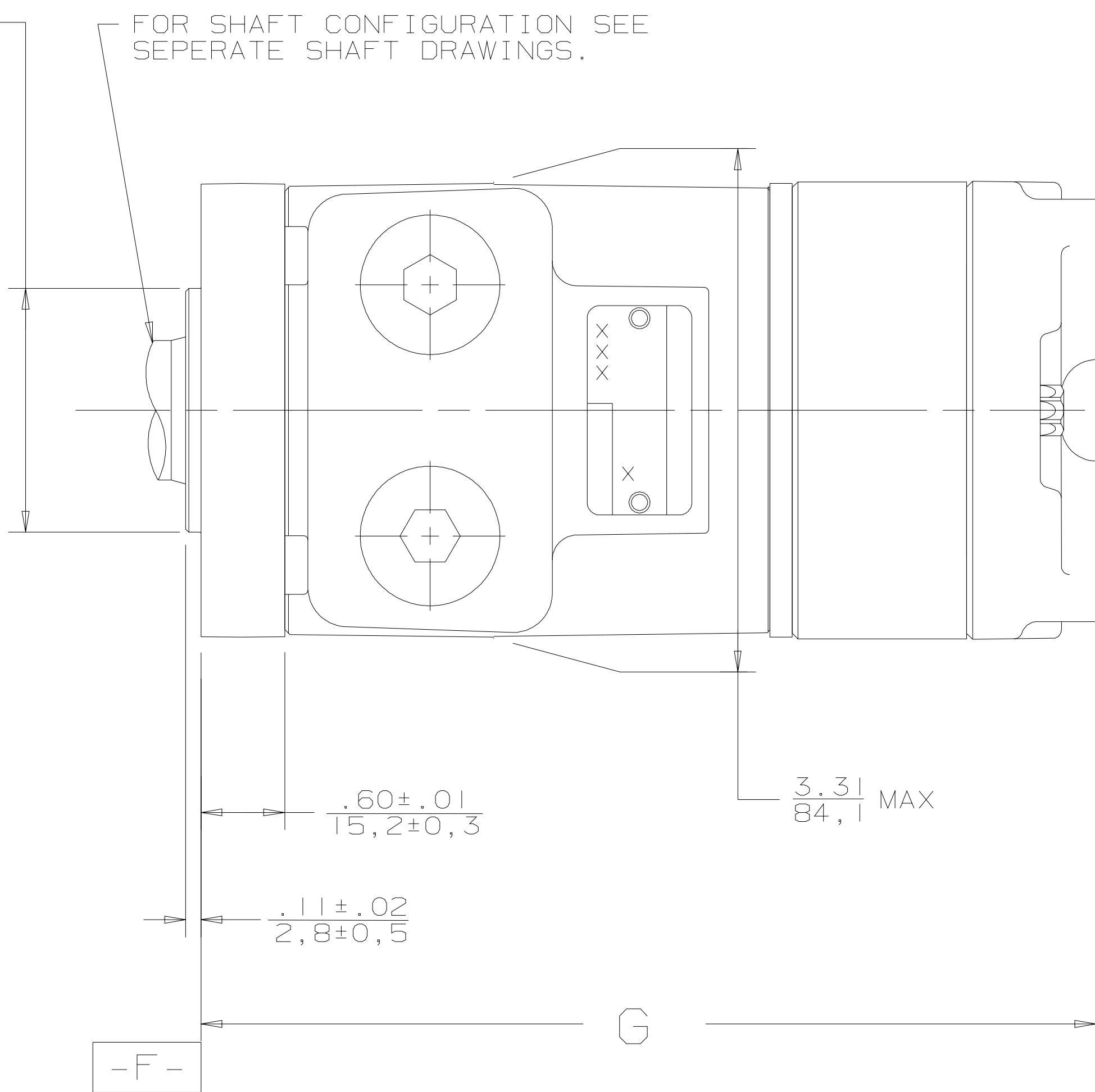
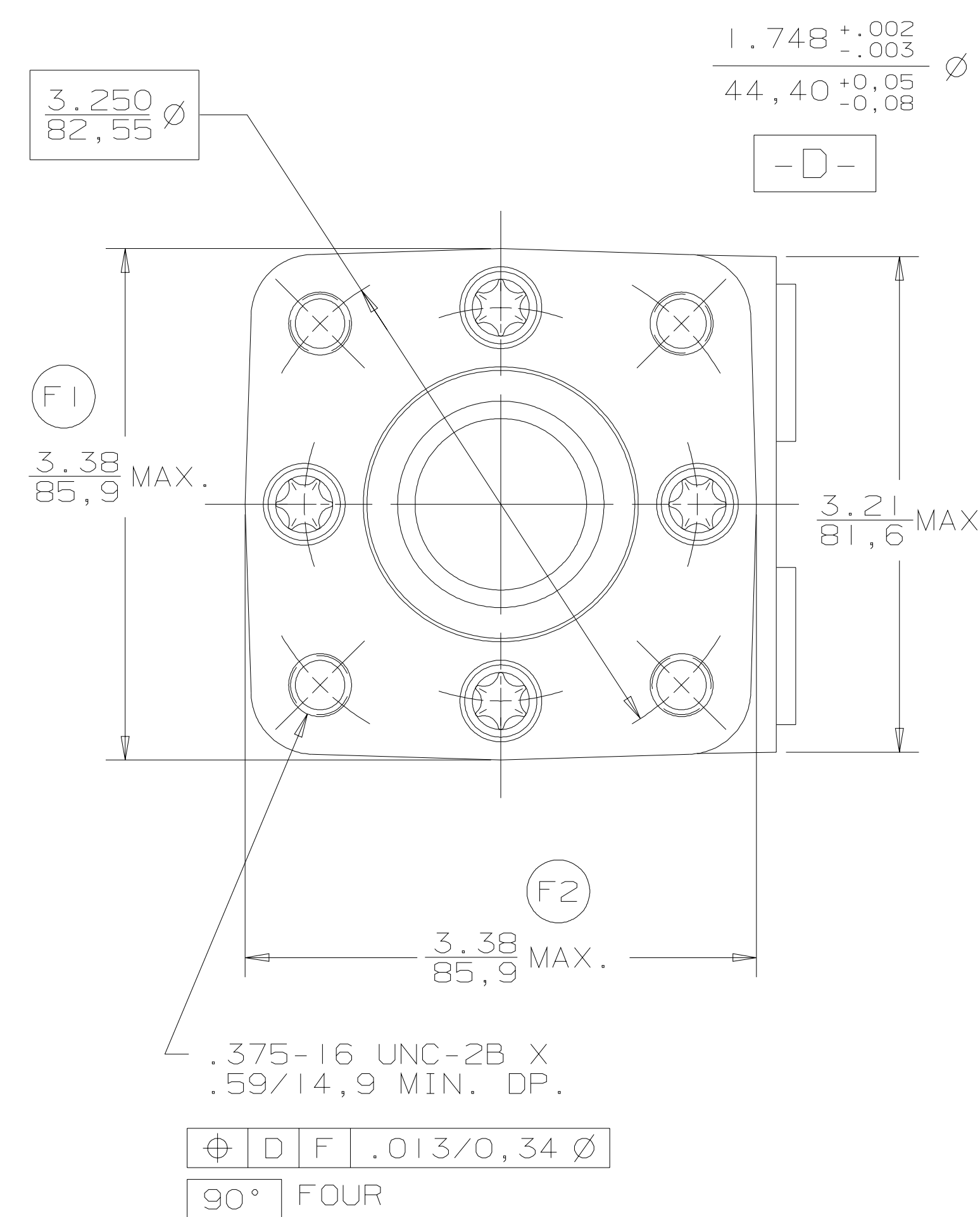


MODEL CODE	DISPLACEMENT IN ³ /REV CC/REV		G MAX
MOH02BXXG0XXXXX	2.2	37	5.45/138,5
MOH03BXXG0XXXXX	2.8	46	5.45/138,5
MOH04BXXG0XXXXX	3.6	59	5.60/142,3
MOH05BXXG0XXXXX	4.5	74	5.60/142,3
MOH06BXXG0XXXXX	5.9	96	5.72/145,3
MOH07BXXG0XXXXX	7.3	120	5.85/148,6
MOH09BXXG0XXXXX	8.9	146	5.99/152,2
MOH10BXXG0XXXXX	9.7	159	6.06/154,0
MOH11BXXG0XXXXX	11.3	185	6.20/157,5
MOH14BXXG0XXXXX	14.1	231	6.45/163,9
MOH18BXXG0XXXXX	17.9	293	6.79/172,5
MOH23BXXG0XXXXX	22.6	370	7.20/182,9

SYM	REVISION	BY	DATE	ECN
A	ENGINEERING RELEASE	RLL	11-10-87	14736
B	-1) (3C) 3.25/82,6 MAX WAS 3.21/81,6 MAX -2) (2C) REMOVED 3.31/84,1 Ø MAX -3) (2B) ADDED 3.36/85,4 MAX	DPR	12-13-89	18329
C	-1) (3C) 3.21/81,6 WAS 3.25/82,6 -2) (2B) 3.31/84,1 WAS 3.36/85,4	LK	10-9-90	19520
D	REVISED PICTORIALY	AGJ	4-7-92	22077
E	REVISED PICTORIALY	AGJ	8-27-92	22674
F	-1) (4C) WAS 3.28/83,4 MAX -2) (4B) WAS 3.28/83,4 MAX	SJP	04-07-04	46856



NOTE:

- ROTATION:**
STANDARD; WHEN FACING SHAFT END OF MOTOR, SHAFT TO ROTATE CLOCKWISE WHEN PORT "A" IS PRESSURIZED. COUNTERCLOCKWISE WHEN PORT "B" IS PRESSURIZED.

REVERSE ; WHEN FACING SHAFT END OF MOTOR, SHAFT TO ROTATE CLOCKWISE WHEN PORT "B" IS PRESSURIZED. COUNTERCLOCKWISE WHEN PORT "A" IS PRESSURIZED.
- MOUNTING FLANGE:**
B = 4 BOLT STD: 1.75/44,4 DIA. X .12/3,0 PILOT, .375-16 MOUNTING HOLES ON 3.25/82,6 DIA. B.C.
- CASE DRAIN:**
0 = NO CASE DRAIN
- PORT TYPE:**
G = .750-16 O-RING, END PORTED

NOTICE TO PERSONS RECEIVING THIS DRAWING AND / OR TECHNICAL INFORMATION
Eaton Corporation claims proprietary rights in the information disclosed hereon. This document is issued in confidence and is not to be reproduced or used to manufacture anything shown hereon without the written permission of the Eaton Corporation.



DRAWN BY/DATE: RLL 10-23-87	MATERIAL/HEAT TREAT	NUMBER A-37-318
CHECKED BY/DATE: KO 1-21-88	TITLE H MOTOR INSTALLATION	
ENGRG BY/DATE: WCW 1-25-88	SCALE FULL SIZE SHEET 1 OF 1	
DO NOT SCALE		
THIRD ANGLE PROJECTION	LINEAR MEASUREMENT IN/MM	