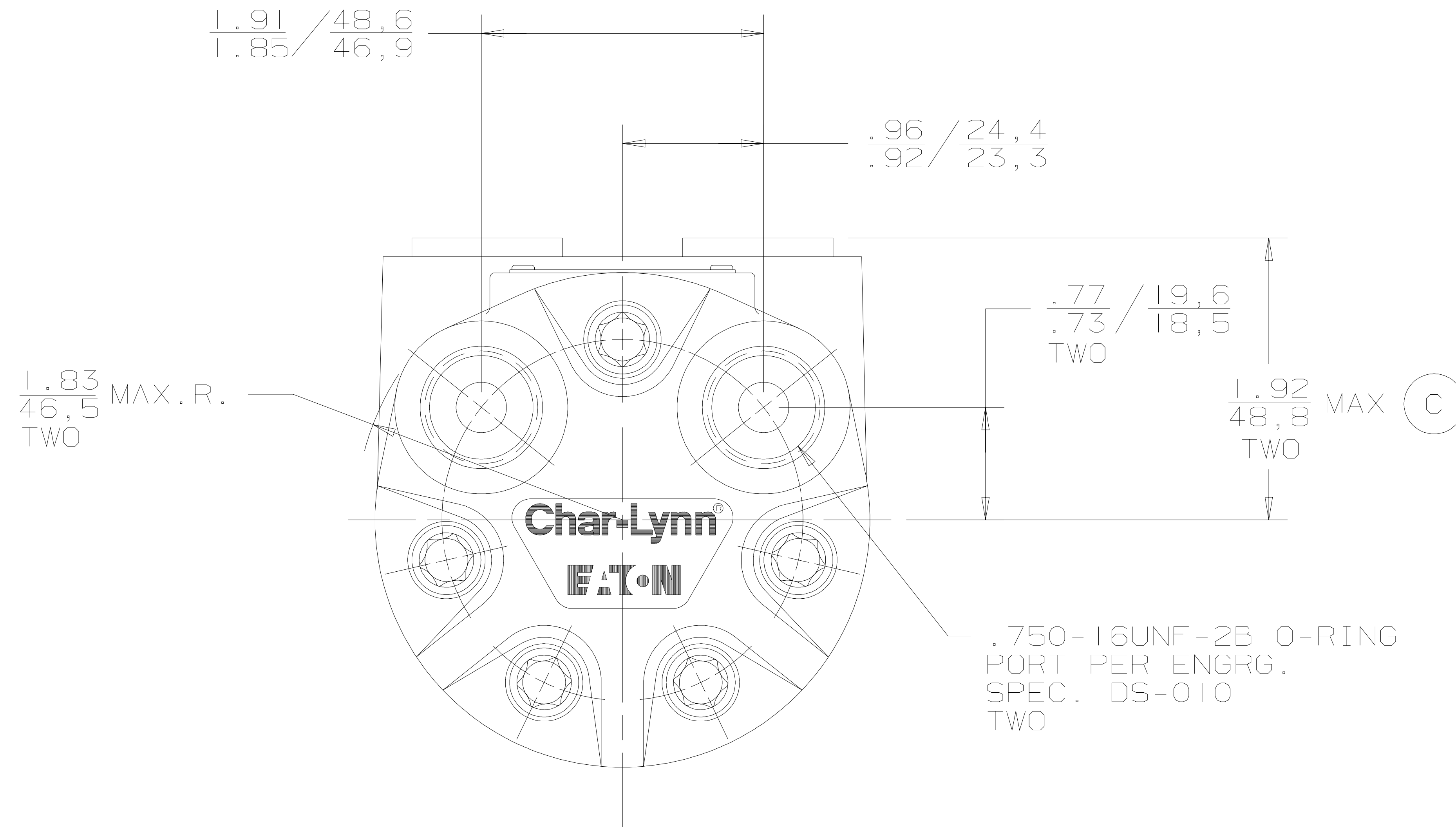


SYM	REVISION	BY	DATE	ECN
A	ENGINEERING RELEASE	DK	11-10-87	14736
B	REVISED PICTORIALY	AGJ	8-27-92	22674
C	ADDED "MAX" TO DIMENSION	JMM	9-7-94	25937
D	REVISED PICTORIALY	SMM	11-03-05	53619



MODEL NO.
MOXXXXXXXXGXXXXXX

NOTICE TO PERSONS RECEIVING THIS DRAWING AND / OR TECHNICAL INFORMATION
 Eaton Corporation claims proprietary rights in the information disclosed hereon. This document is issued in confidence and is not to be reproduced or used to manufacture anything shown hereon without the written permission of the Eaton Corporation.



DRAWN BY/DATE DK 11-23-87	MATERIAL/HEAT TREAT
CHECKED BY/DATE KQ 1-26-88	TITLE PORT INSTALLATION
ENGRG BY/DATE WCW 1-27-88	
DO NOT SCALE	NUMBER A-110-007
THIRD ANGLE PROJECTION	SURFACE TEXTURE MICRO INCHES 250 ARITHMETICAL AVERAGE SCALE FULL SIZE SHEET 1 OF 1