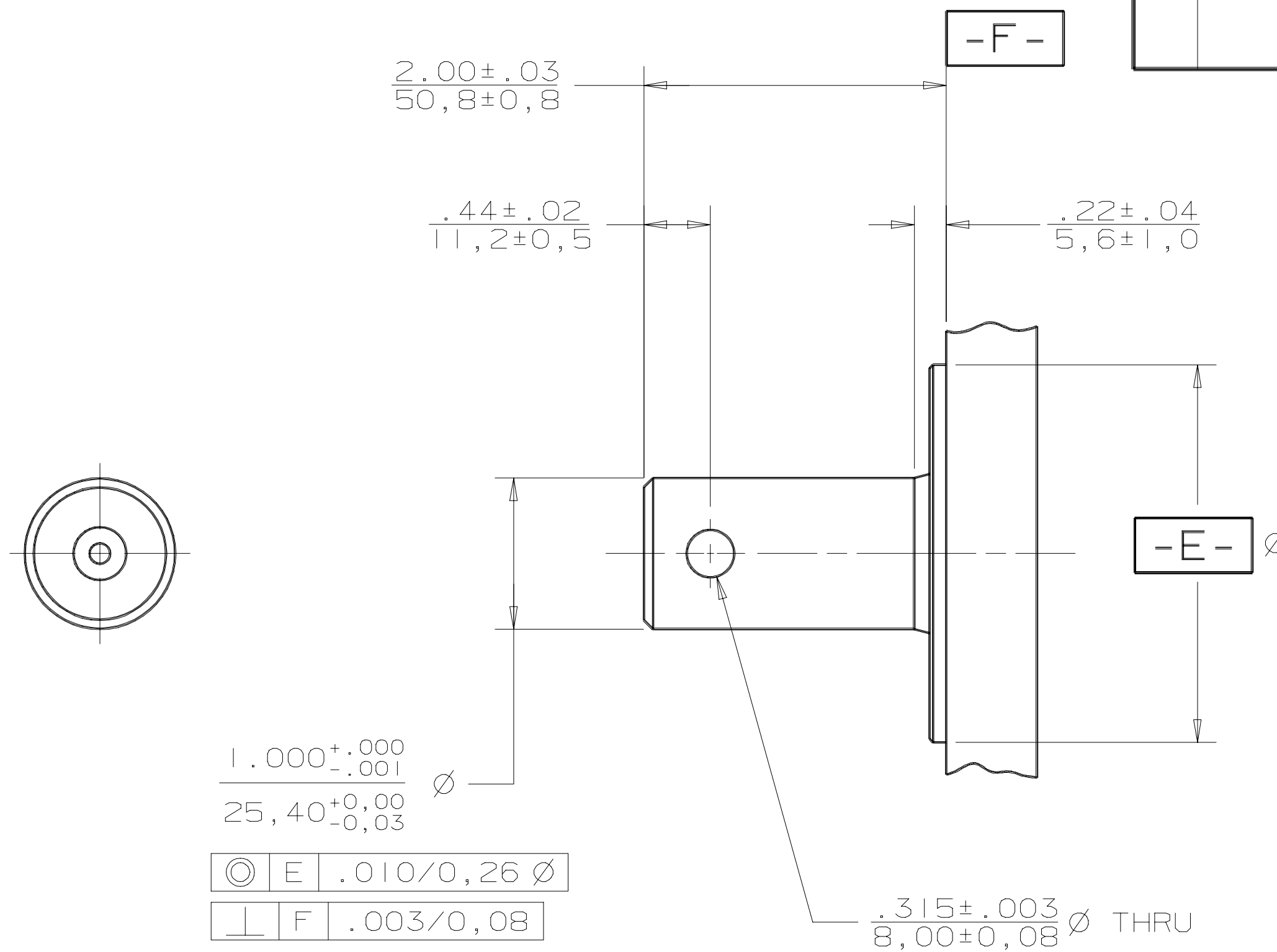


| SYM | REVISION                           | BY  | DATE     | ECN    |
|-----|------------------------------------|-----|----------|--------|
| A   | ENGINEERING RELEASE                | RLL | 11-10-87 | 14736  |
| B   | REVISED NOTE 1 AND ADDED OPTION 64 | RAF | 3-6-96   | M15052 |



|                                 |               |
|---------------------------------|---------------|
| 1.000 <sup>+.000</sup><br>-.001 | ∅             |
| 25.40 <sup>0.00</sup><br>-0.03  |               |
| ⊙                               | E .010/0,26 ∅ |
| ⊥                               | F .003/0,08   |

MODEL NO.  
MOXXXX07XXXXXXX

SMG<sup>2</sup>

NOTE  
1 OUTPUT SHAFT: OPTION 07 & 64

|   |   |  |  |
|---|---|--|--|
| NOTICE TO PERSONS RECEIVING THIS DRAWING AND / OR TECHNICAL INFORMATION<br>Eaton Corporation claims proprietary rights in the information disclosed hereon. This document is issued in confidence and is not to be reproduced or used to manufacture anything shown hereon without the written permission of the Eaton Corporation. |   | <br>Eaton Corporation<br>Hydraulics Division<br>15151 Highway 5<br>Eden Prairie, Mn. 55344 |  |
| DRAWN BY/DATE<br>RLL 10-28-87   | MATERIAL/HEAT TREAT                     |  |  |
| CHECKED BY/DATE<br>KQ 1-13-88   | TITLE<br>SHAFT INSTALLATION             |  |  |
| ENGRG BY/DATE<br>WCW 1-19-88  | DO NOT SCALE                            |  |  |
| THIRD ANGLE<br><br>PROJECTION   | LINEAR MEASUREMENT<br>IN/MM<br>IN<br>MM | NUMBER<br>A-109-007  |  |
| SCALE FULL SIZE   |   | SHEET 1 OF 1   |  |