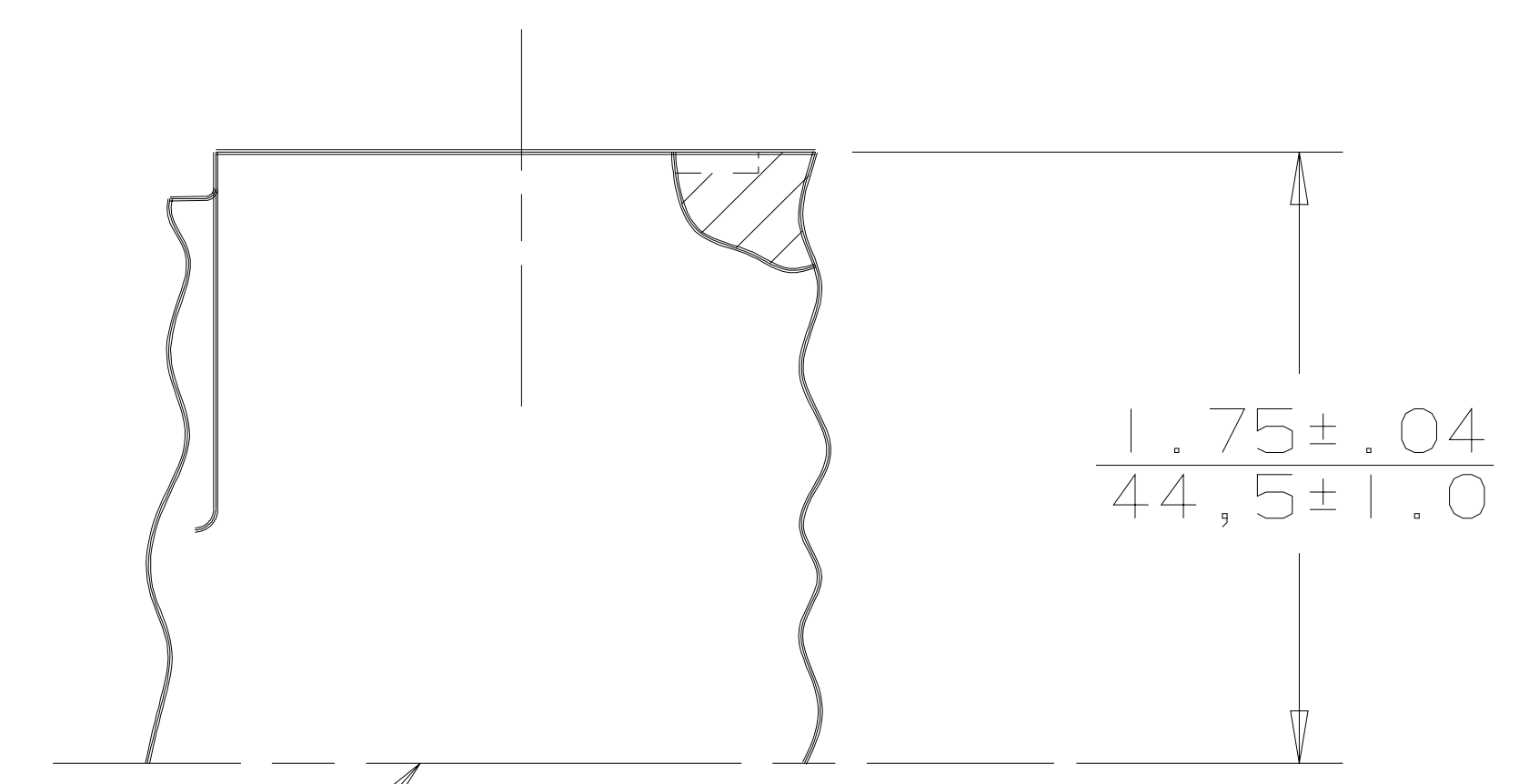
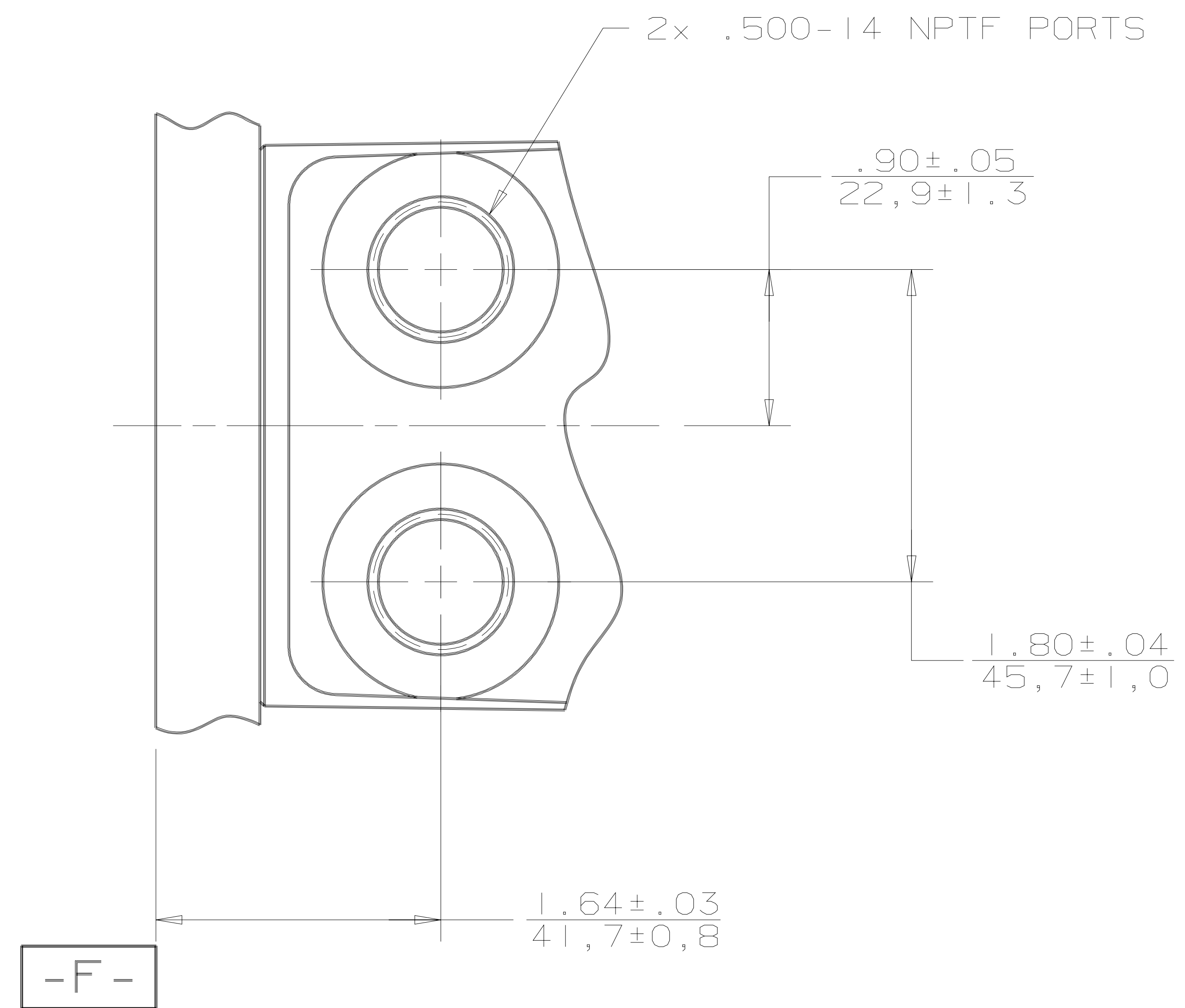


SYM	REVISION	BY	DATE	ECN
A	ENGINEERING RELEASE	DK	11-10-87	14736
C	REVISED FOR ASSY STACK UP	SKS	08-06-09	M76593



MOTOR CENTERLINE

PORT TYPE
AB = .500-14 NPTF

<p>NOTICE TO PERSONS RECEIVING THIS DRAWING AND / OR TECHNICAL INFORMATION</p> <p><small>THIS DOCUMENT, INCLUDING THE DRAWING AND INFORMATION CONTAINED THEREON, IS CONFIDENTIAL AND IS THE EXCLUSIVE PROPERTY OF EATON CORPORATION, AND IS MERELY ON LOAN AND SUBJECT TO RECALL BY EATON AT ANY TIME. BY TAKING POSSESSION OF THIS DOCUMENT, THE RECIPIENT ACKNOWLEDGES AND AGREES THAT THIS DOCUMENT CANNOT BE USED IN ANY MANNER ADVERSE TO THE INTERESTS OF EATON, AND THAT NO PORTION OF THIS DOCUMENT MAY BE COPIED OR OTHERWISE REPRODUCED WITHOUT THE PRIOR WRITTEN CONSENT OF EATON. IN THE CASE OF CONFLICTING CONTRACTUAL PROVISIONS, THIS NOTICE SHALL GOVERN THE STATUS OF THIS DOCUMENT.</small></p>		<p>Eaton Corporation Hydraulics Division 15151 Highway 5 Eden Prairie, Mn. 55344</p>
<p>DRAWN BY/DATE: DK 11-13-87</p>	<p>MATERIAL/HEAT TREAT</p>	
<p>CHECKED BY/DATE</p>	<p>TITLE: PORT INSTALLATION</p>	
<p>ENGRG BY/DATE</p>	<p>DO NOT SCALE</p>	
<p>THIRD ANGLE PROJECTION</p>	<p>LINEAR MEASUREMENT IN/MM</p>	<p>NUMBER: A-110-002</p>
<p>SCALE: FULL SIZE</p>		<p>SHEET 1 OF 1</p>