

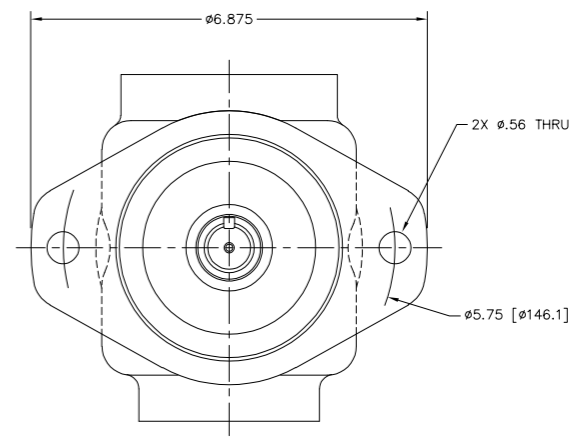
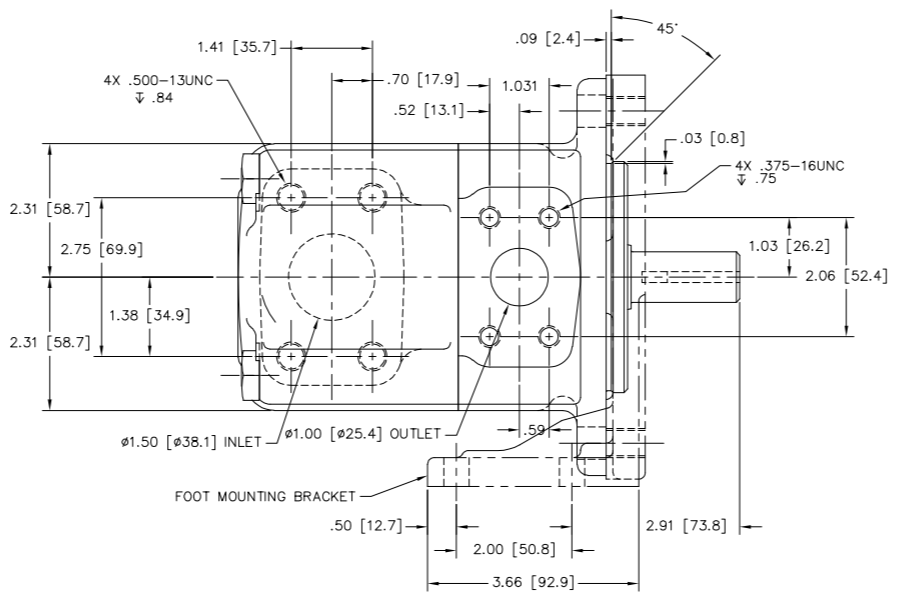
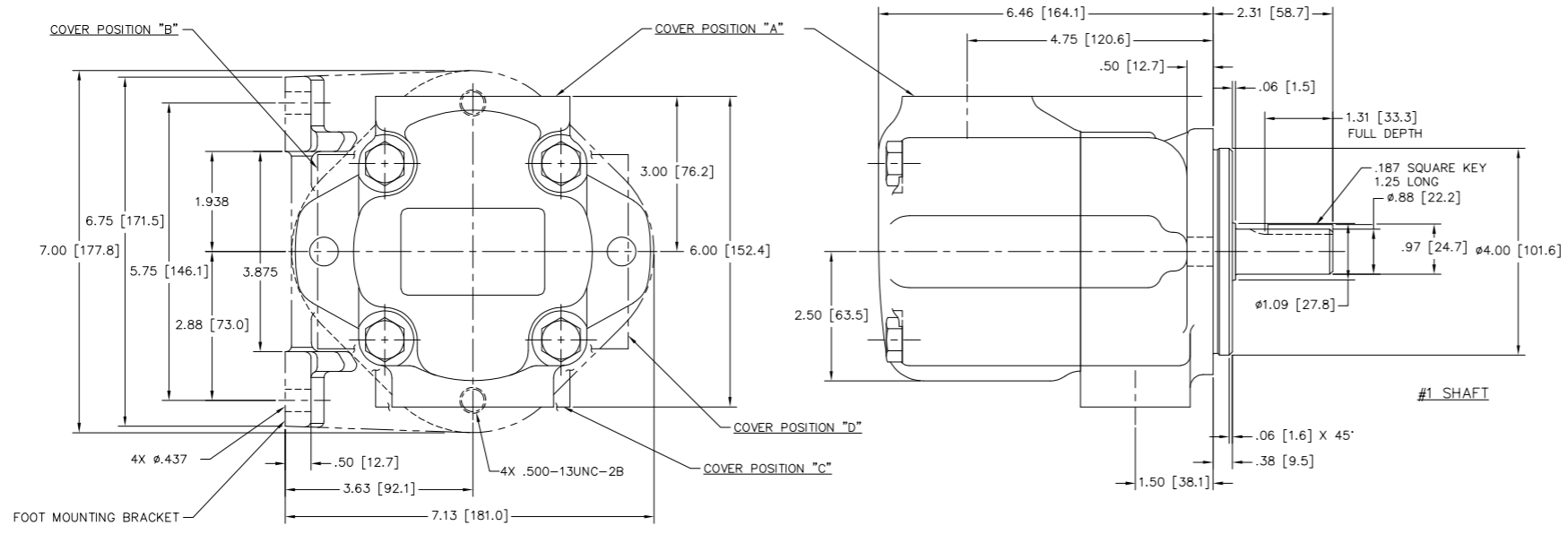
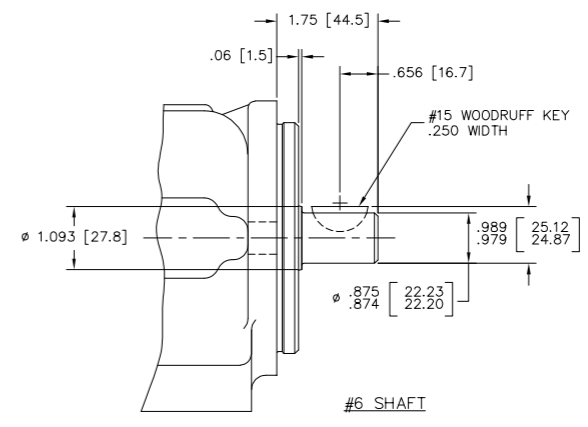
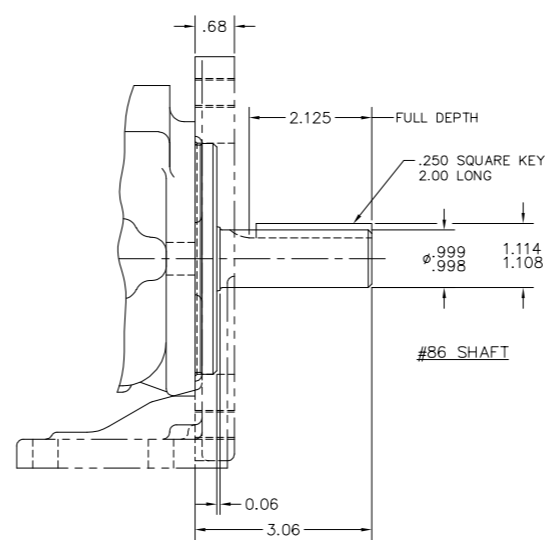
PUMP RATINGS

FLUIDS (5)	MAX. PRESS. P.S.I.	MAX. SPEED R.P.M.	MAX. INLET OIL TEMP.
SAE 10W PETROLEUM OIL MEETING API CLASSIFICATION "MS" OR ITS INDUSTRIAL EQUIVALENT	2500	1800	150°F
SYNTHETIC FIRE RESISTANT FLUIDS	2500	1200	(8)
WATER GLYCOL FLUIDS	2300	1500	130°F

MODEL NUMBER	GPM @1200 RPM AND 100 P.S.I.
(F3-)25V12*-**-22-*	12
...25V14*...	14
...25V17*...	17
...25V21*...	21

- (8) MAXIMUM AND MINIMUM INLET TEMPERATURE FOR SYNTHETIC FLUIDS DEPENDS ON MAINTAINING RECOMMENDED VISCOSITIES. SEE DATA SHEET I-286-S.
- 7 MAXIMUM INLET PRESSURE IS 20 P.S.I. FOR ALL MODELS.
- (6) MAXIMUM SPEED RATINGS ARE INFLUENCED BY SPECIFIC GRAVITY, VISCOSITY, AND SUCTION HEAD. PUMP SUCTION AND SPEED SHOULD BE REALIZED SO THE VACUUM AT THE PUMP INLET DOES NOT EXCEED 5 INCHES OF MERCURY FOR PETROLEUM OIL AND WATER GLYCOL, AND 3 INCHES FOR SYNTHETIC FLUIDS.

REV	DESCRIPTION	BY	CHK	DATE	ECN / MPS
A	REVISED AND REDRAWN ON AUTOCAD ADDED SHEET #2	RDD	G.SAYLES	10-13-1994	094065-ECN
D	-1) REVISED AS PER EATON STANDARD SHEET 1 -2)(7C) .84 WAS .88 DEEP SHEET 2 -3)(9F) .84[21.3] WAS .938[23.83] DEEP	AM	VGD	02-07-2012	0038012
E	SHEET 2 -1) (3F) ADDED #11 SHAFT INSTALLATION DRAWING -2) REVISED AS PER DANFOSS STANDARD	JSK	ED	07-06-2023	CO-0230249



- (5) PERMISSIBLE FLUIDS  
PETROLEUM OILS WITH VISCOSITY RANGE BETWEEN 13 cSt (70 SUS) AND 54 cSt (251 SUS)  
SYNTHETIC FLUIDS (PHOSPHATE ESTERS AND CHLORINATED HYDROCARBONS) AND WATER GLYCOL FLUIDS PRODUCED BY RELIABLE SOURCES, AND MEETING QUALIFICATIONS DESCRIBED HERE ARE RECOMMENDED. SELECT FLUIDS WITH VISCOSITIES AS CLOSE AS POSSIBLE TO THOSE FOR PETROLEUM OIL DESCRIBED ABOVE. SPECIFIC GRAVITY MUST NOT EXCEED 1.3.  
--PUMPS TO BE USED WITH SYNTHETIC FLUID REQUIRE SPECIAL SEALS. TO OBTAIN PUMPS EQUIPPED WITH THESE SPECIAL SEALS ADD PREFIX "F3-" TO THE MODEL NUMBER (EX: F3-25V\*\*\*).
- 4 TO QUALIFY FOR VICKERS WARRANTY, THIS HIGH PERFORMANCE PRODUCT SHALL BE USED ONLY IN CIRCUITS FILTERED CONTINUOUSLY TO 25 MICRONS OR LESS.
- 3 PUMP DRIVE -- DIRECT COAXIAL DRIVE IS RECOMMENDED. IF DRIVES IMPOSING RADIAL SHAFT LOADS ARE CONSIDERED CONSULT A VICKERS SALES REPRESENTATIVE.
- 2 "R" IS R.H. ROTATION (CLOCKWISE). FOR COUNTER CLOCKWISE ROTATION ADD "L" TO DESIGN NUMBER IN THE MODEL NUMBER (EX: -22L-).
- 1 COVER CAN BE ASSEMBLED IN ANY ONE OF FOUR POSITIONS AS SHOWN. THIS POSITION IS DESIGNATED BY A LETTER -- A, B, C, OR D -- IN THE MODEL NUMBER.

REVIEWED FOR CLASSIFICATION PER ESP-042

DRAWING BASED ON ASME Y14.5-2009

UNLESS OTHERWISE SPECIFIED ALL DIMENSIONS ARE IN INCHES

THE REPRODUCTION, DISTRIBUTION AND UTILIZATION OF THIS DOCUMENT AS WELL AS THE COMMUNICATION OF ITS CONTENTS TO OTHERS WITHOUT EXPLICIT AUTHORIZATION IS PROHIBITED. OFFENDERS WILL BE HELD LIABLE FOR THE PAYMENT OF DAMAGES. ALL RIGHTS RESERVED IN THE EVENT OF THE GRANT OF A PATENT, UTILITY MODEL OR DESIGN. (PER ISO 16016)

UNLESS OTHERWISE SPECIFIED DRAFT ANGLES ARE 30°

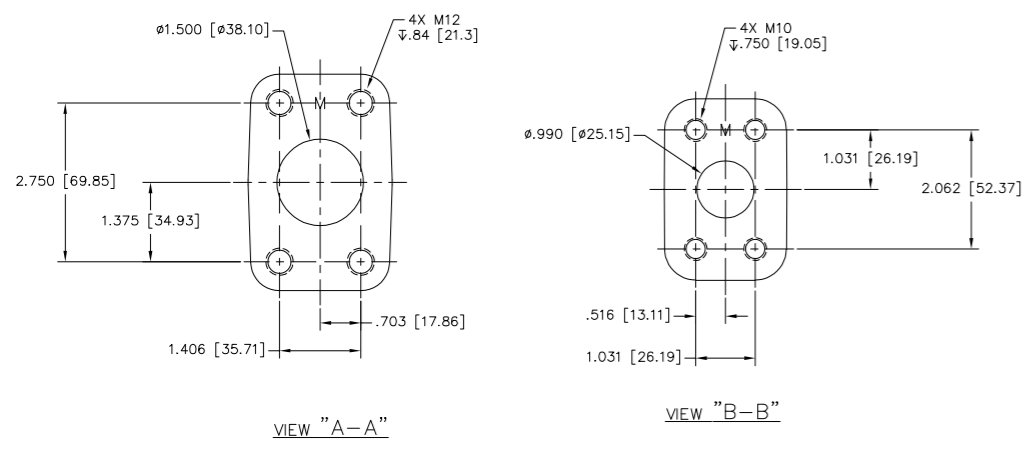
DO NOT SCALE

SCALE 1/1 SHEET 1 OF 2

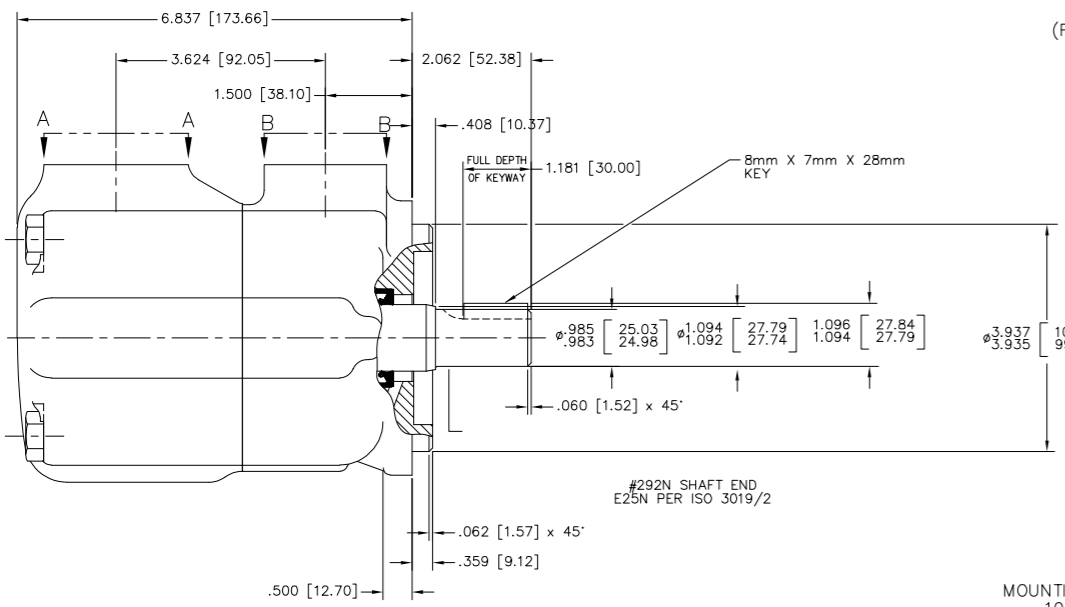
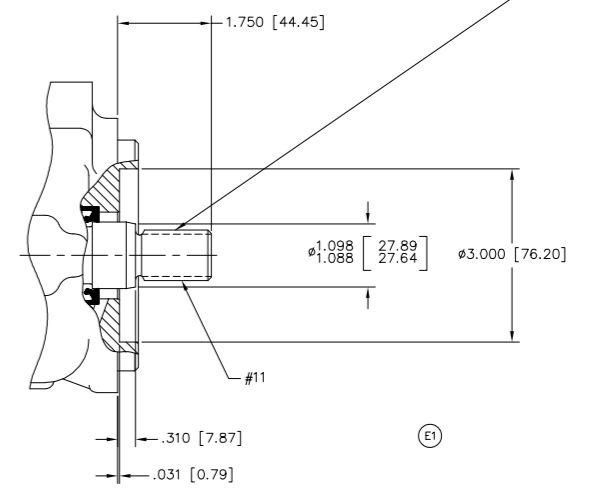
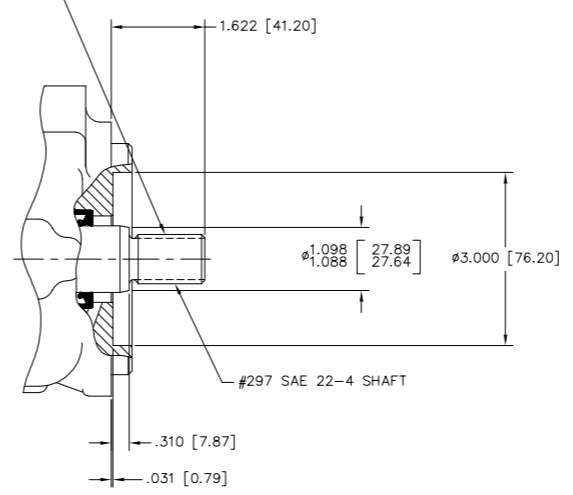
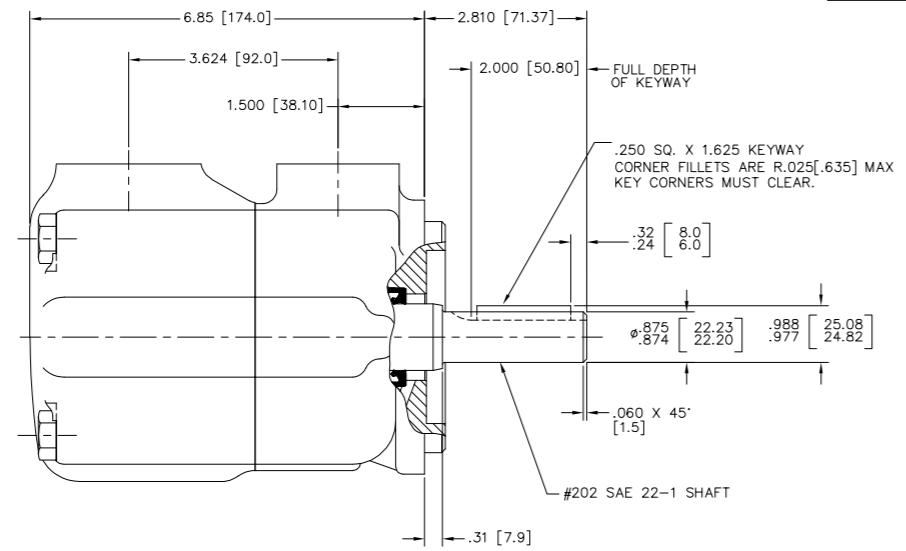
INSTALLATION -- INDUSTRIAL QUIET INTRA-VANE PUMP ( 25 V )

NUMBER 02-102781

REV	DESCRIPTION	BY	CHK	DATE	ECN / MPS
D	SEE SHEET 1	--	--	--	--
E	SEE SHEET 1	--	--	--	--

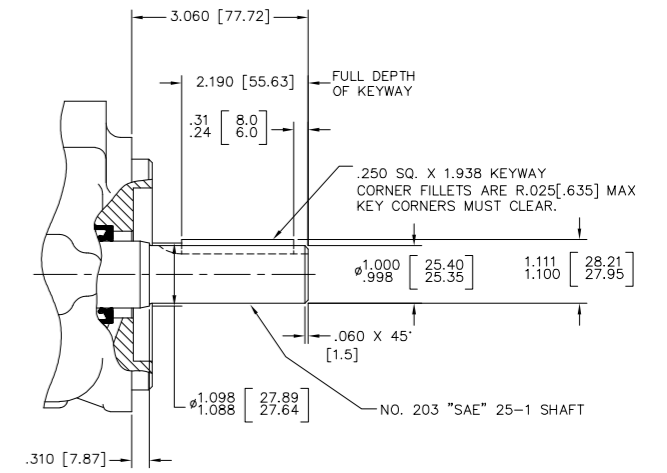
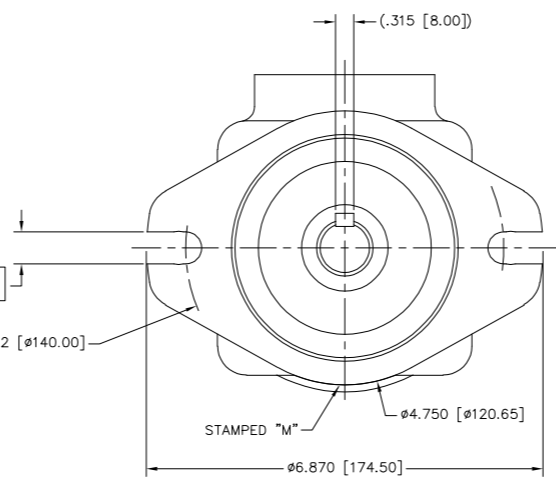


EXTERNAL INVOLUTE SPLINE			
ANSI B92.1a - 1976			
.8125	PITCH DIA.	.7036	BASE DIA.
FLAT ROOT		SIDE FIT	
13	TEETH	16 / 32	PITCH
30	PR ANGLE		
.858	MAX. MAJOR DIA.	.749	MIN. FORM DIA.
.838	MIN. MAJOR DIA.	.715	MIN. MINOR DIA.
CIRCULAR TOOTH THICKNESS			
.0955	MAX EFF.	.0929	MAX ACT REF.
MEASUREMENT OVER		DIA PINS	
.1200	MAX REF.	.0919	MIN REF.
RADIUS AT MINOR DIA. .009 MAX.			



MOUNTING FLANGE  
101-2 PER SAE J-744 OCT83  
(FOR OTHER DIMENSIONS SEE SHEET 1)

MOUNTING FLANGE  
100A2HW  
PER ISO 3019/2  
(FOR OTHER DIMENSIONS  
SEE SAE MOUNTING FLANGE  
ON SHEET #1)



UNLESS OTHERWISE SPECIFIED ALL DIMENSIONS ARE IN		DRAWING BASED ON ASME Y14.5-2009	
INCHES	<input checked="" type="checkbox"/>	THE REPRODUCTION, DISTRIBUTION AND UTILIZATION OF THIS DOCUMENT AS WELL AS THE COMMUNICATION OF ITS CONTENTS TO OTHERS WITHOUT EXPLICIT AUTHORIZATION IS PROHIBITED. OFFENDERS WILL BE HELD LIABLE FOR THE PAYMENT OF DAMAGES. ALL RIGHTS RESERVED IN THE EVENT OF THE GRANT OF A PATENT.	
MILLIMETERS	<input type="checkbox"/>	UTILITY MODEL OR DESIGN (PER ISO 16616)	
TOLERANCES		MATERIAL/HEAT TREAT	
X ±	---	---	---
.XX ±	FOR REF.	---	---
.XXX ±	---	---	---
< ±	---	---	---
UNSPECIFIED RADI ARE	---	---	---
UNSPECIFIED DRAFT ANGLES ARE	---	---	---
E SIZE	---	---	---
THIRD ANGLE PROJECTION		TITLE	
DO NOT SCALE		INSTALLATION - INDUSTRIAL QUIET INTRA-VANE PUMP (25 V)	
		NUMBER	
		02-102781	
		SCALE 1/1	
		SHEET 2 OF 2	